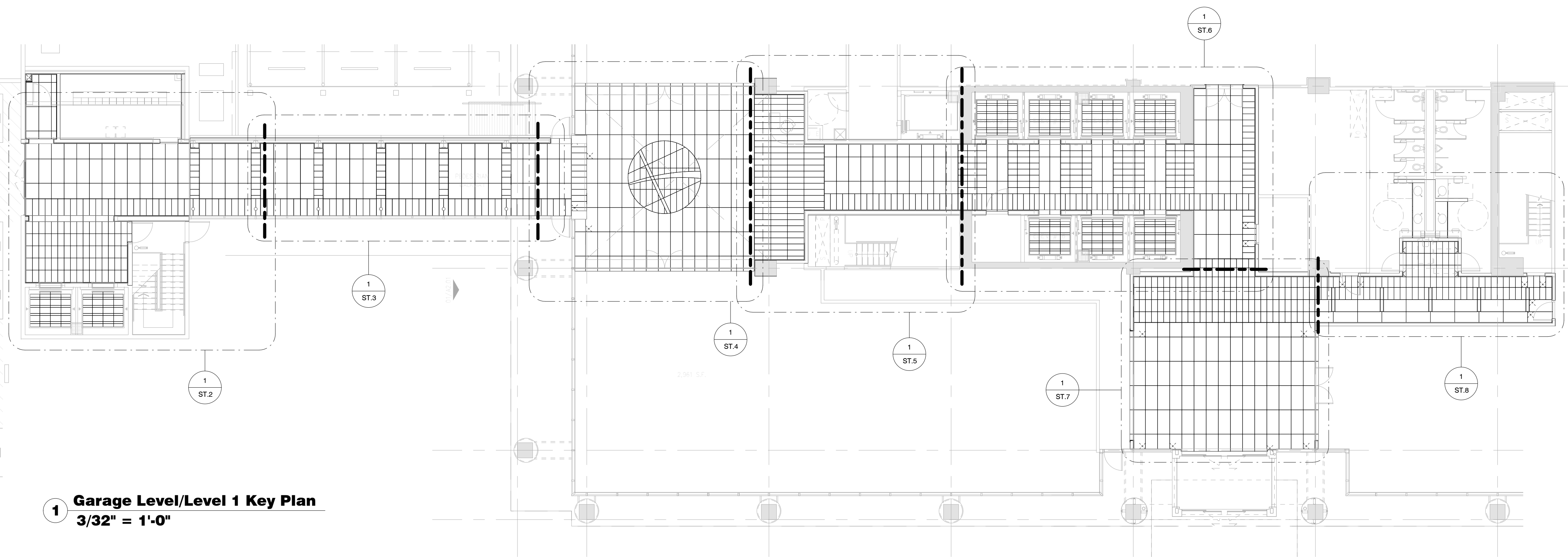


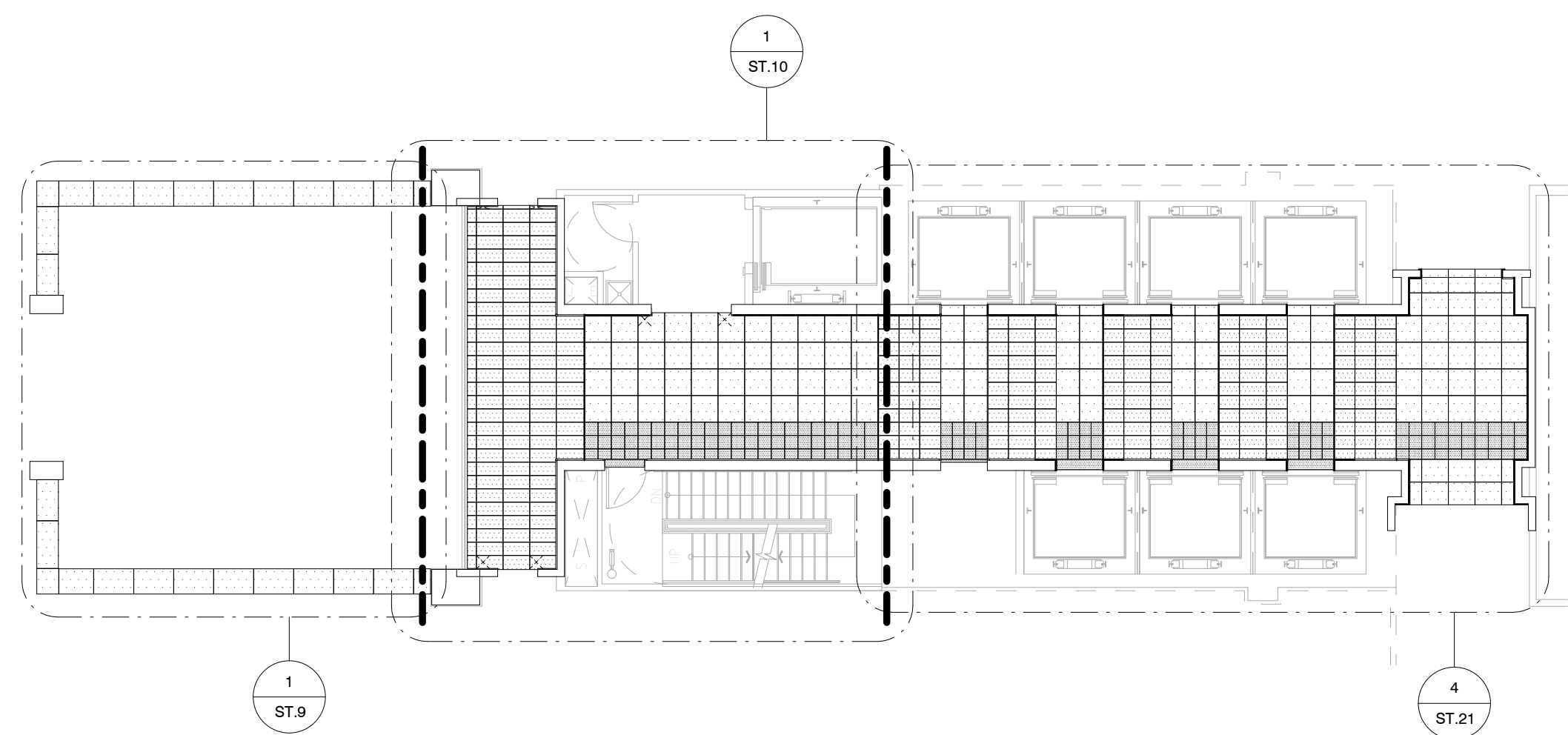
Stone Project Example

6250 Westpark Suite 218 Houston Texas 77057

Sheet Index	
Sheet Number	Description
ST.1	Key Plans
ST.2	Garage Lobby Floor Plan
ST.3	Pedestrian Walkway Floor Plan
ST.4	North Lobby Floor Plans - Level One
ST.5	Elevator Lobby Floor Plans - Level One
ST.6	Elevator Lobby Floor Plans - Level One
ST.7	West Lobby Floor Plans
ST.8	Corridor Floor Plans
ST.9	North Lobby Floor Plans - Level 2
ST.10	Elevator Lobby Floor Plans - Level Two
ST.11	Elevator Lobby Floor Plans - Level Two
ST.12	North Lobby Floor Plan Enlargement
ST.13	Elevations/Plans
ST.14	Elevations
ST.15	Elevations
ST.16	Elevations/Plans
ST.17	Elevations/Plans
ST.18	Elevations
ST.19	Elevations
ST.20	Elevations/Plans
ST.21	Elevations/Plans
ST.22	Elevations
ST.23	Elevations
ST.24	Details
ST.25	Details
ST.26	Details
ST.27	Details
ST.28	Details



1 Garage Level/Level 1 Key Plan
3/32" = 1'-0"



2 Level 2 Key Plan
3/32" = 1'-0"

Finish Legend

Name	Graphic	Thickness	Description
ST-1	[White Box]	2cm	Floor Stone Porto Granite Polished Finish
ST-1A	[White Box]	1/2"	Floor Stone Porto Granite Polished Finish
ST-2	[Dotted Box]	2cm	Floor Stone Tan Brown Granite Polished Finish
ST-2A	[Dotted Box]	1/2"	Floor Stone Tan Brown Granite Polished Finish
ST-3	[Dark Grey Box]	2cm	Floor Stone Rajah Black Granite Polished Finish
ST-3A	[Dark Grey Box]	1/2"	Floor Stone Rajah Black Granite Polished Finish
ST-4	[White Box]	2cm	Wall Stone Porto Granite Polished Finish
ST-5	[Dotted Box]	2cm	Wall Stone Tan Brown Granite Polished Finish
ST-6	[Dark Grey Box]	2cm	Wall Stone Rajah Black Granite Polished Finish
ST-7	[White Box]	2cm	Wall Stone Porto Granite Sandblasted Finish
ST-8	[Dark Grey Box]	2cm	Wall Stone Rajah Black Granite Sandblasted Finish
ST-9	[Dotted Box]	2cm	Counter Top Stone Tan Brown Granite Polished Finish
TR-1	[Horizontal Line]	1/2"	Wall Stock Bar Brushed Stainless Steel
TR-2	[Horizontal Line]	1/2"	Floor Stock Bar Brushed Stainless Steel

Revisions

Stone Project Example

6250 Westpark Suite 218 Houston Texas 77057

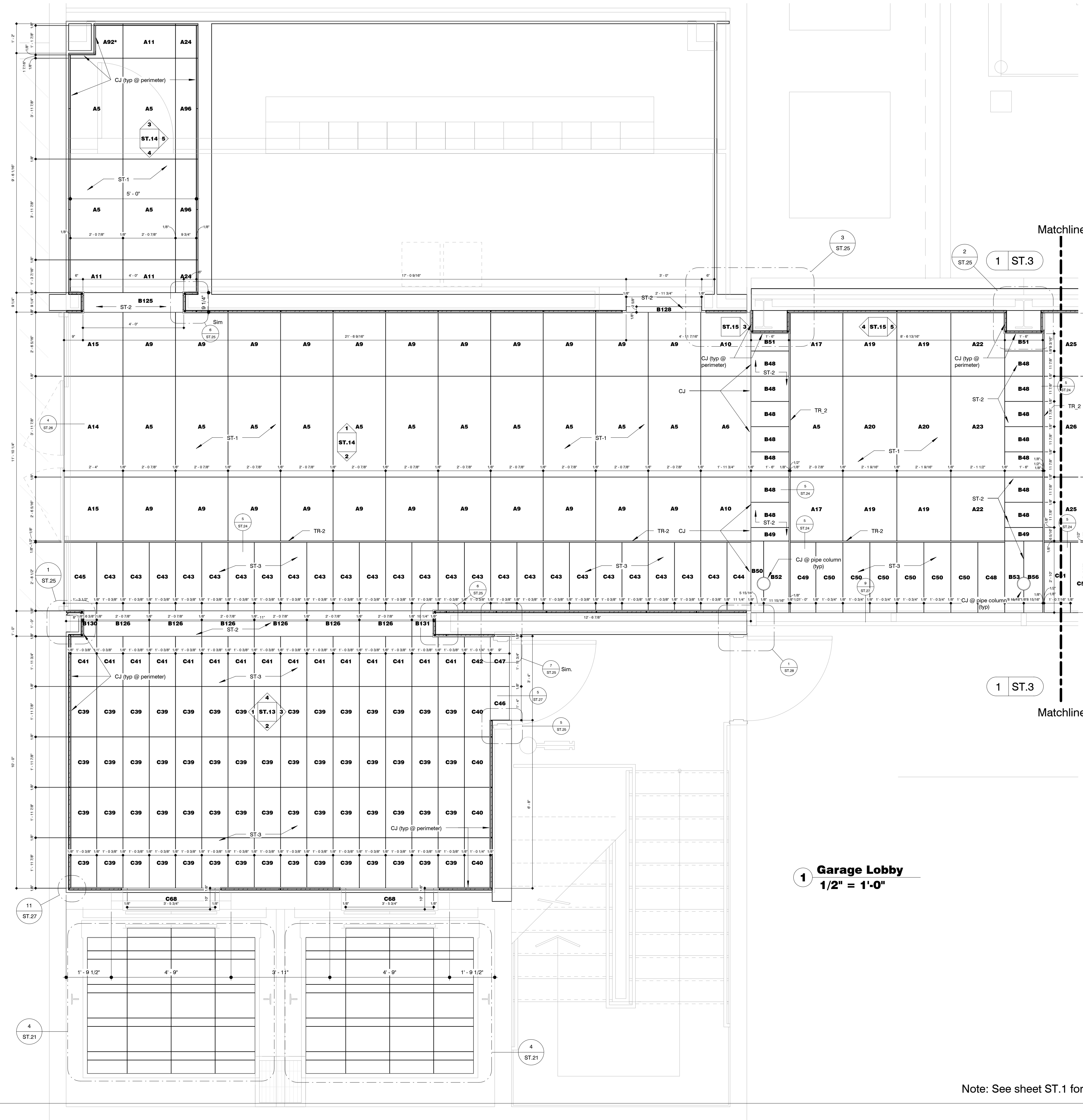
Key Plans

Sheet No.

ST.1

Job No.

Date
9/17/2010
5:01:25 PM



1 Garage Lobby
1/2" = 1'-0"

Note: See sheet ST.1 for stone type legend

Revisions

Stone Project Example

6250 Westpark Suite 218 Houston Texas 77057

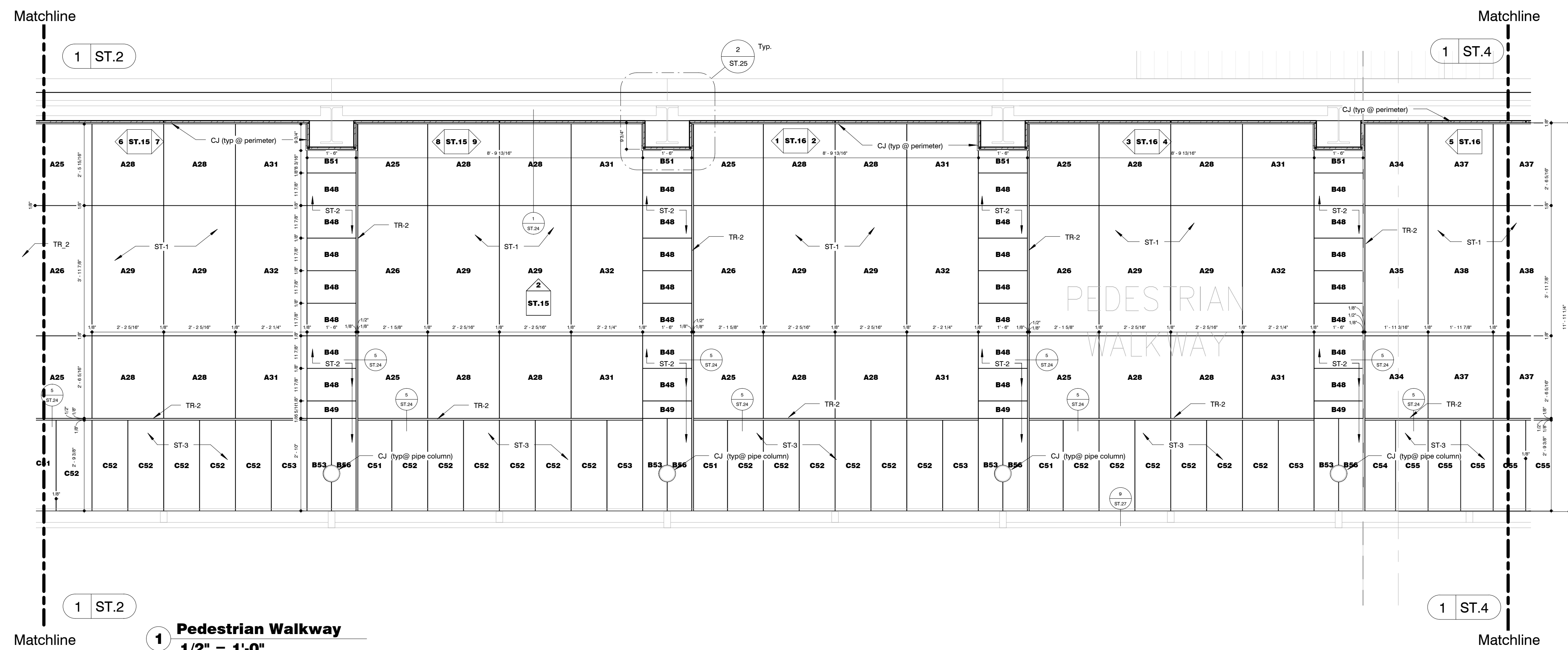
Garage Lobby
Floor Plan

Sheet No.

ST.2

Job No.

Date
9/17/2010
5:01:28 PM



1 Pedestrian Walkway
 1/2" = 1'-0"

Revisions

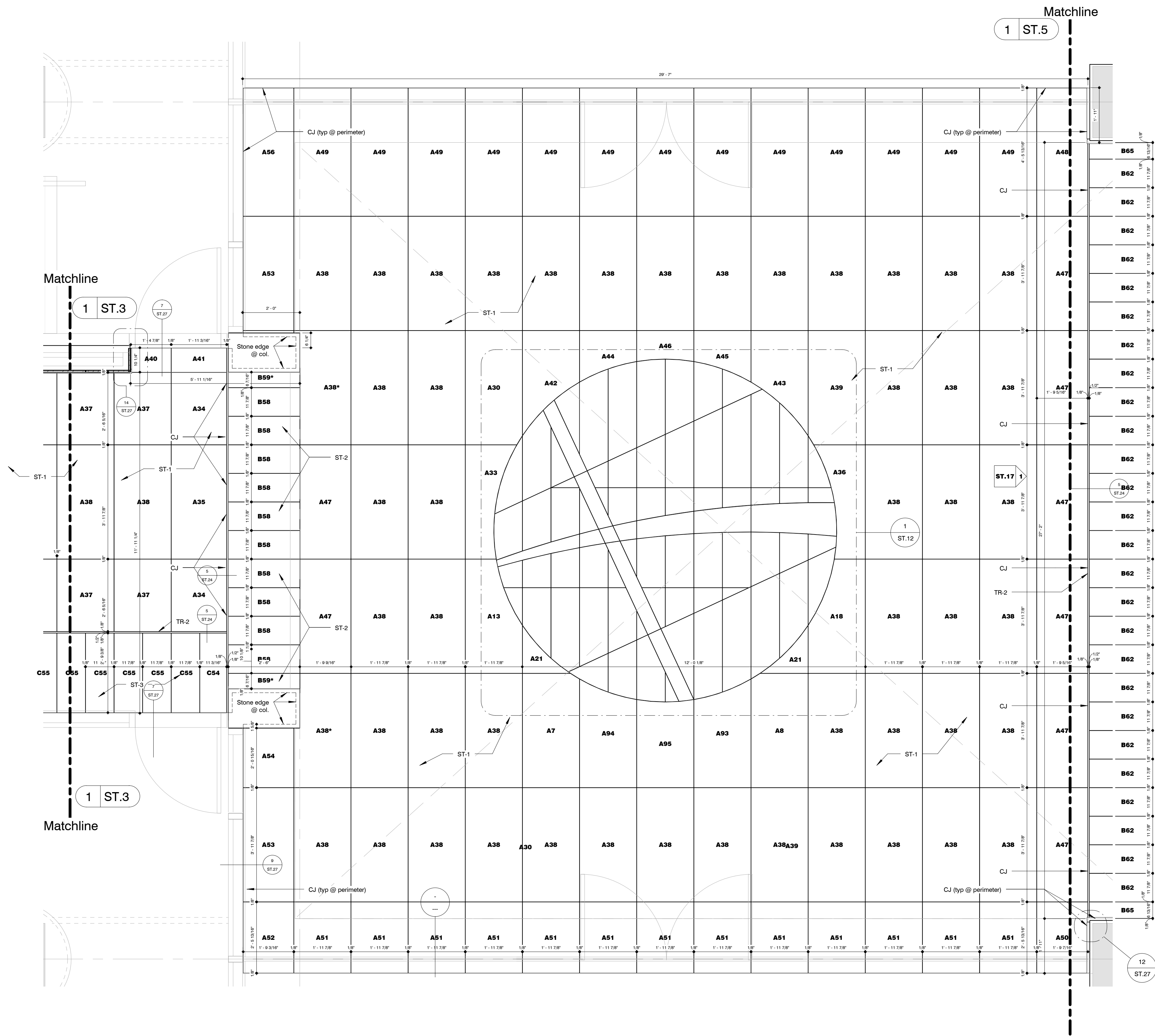
Stone Project Example
 6250 Westpark Suite 218 Houston Texas 77057

Pedestrian Walkway Floor Plan

Sheet No. ST.3

Job No.
Date
 9/17/2010
 5:01:31 PM

Note: See sheet ST.1 for stone type legend



1 North Lobby
1/2" = 1'-0"

Revisions

Rev.	Description

Stone Project Example

6250 Westpark Suite 218 Houston Texas 77057

North Lobby Floor Plans - Level One

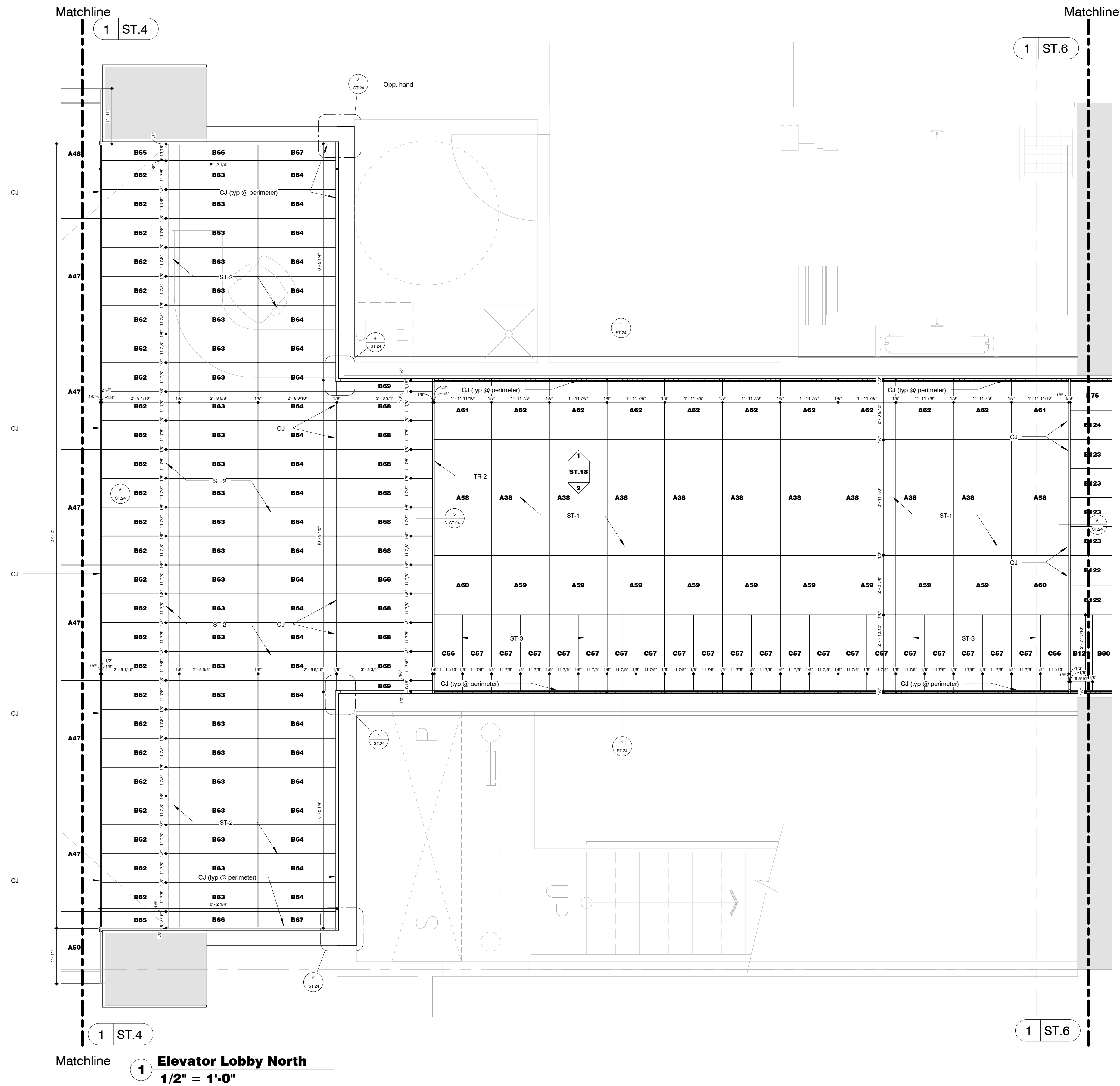
Sheet No.

ST.4

Job No.

Date
9/17/2010
5:01:34 PM

Note: See sheet ST.1 for stone type legend



Revisions

Stone Project Example
6250 Westpark Suite 218 Houston Texas 77057

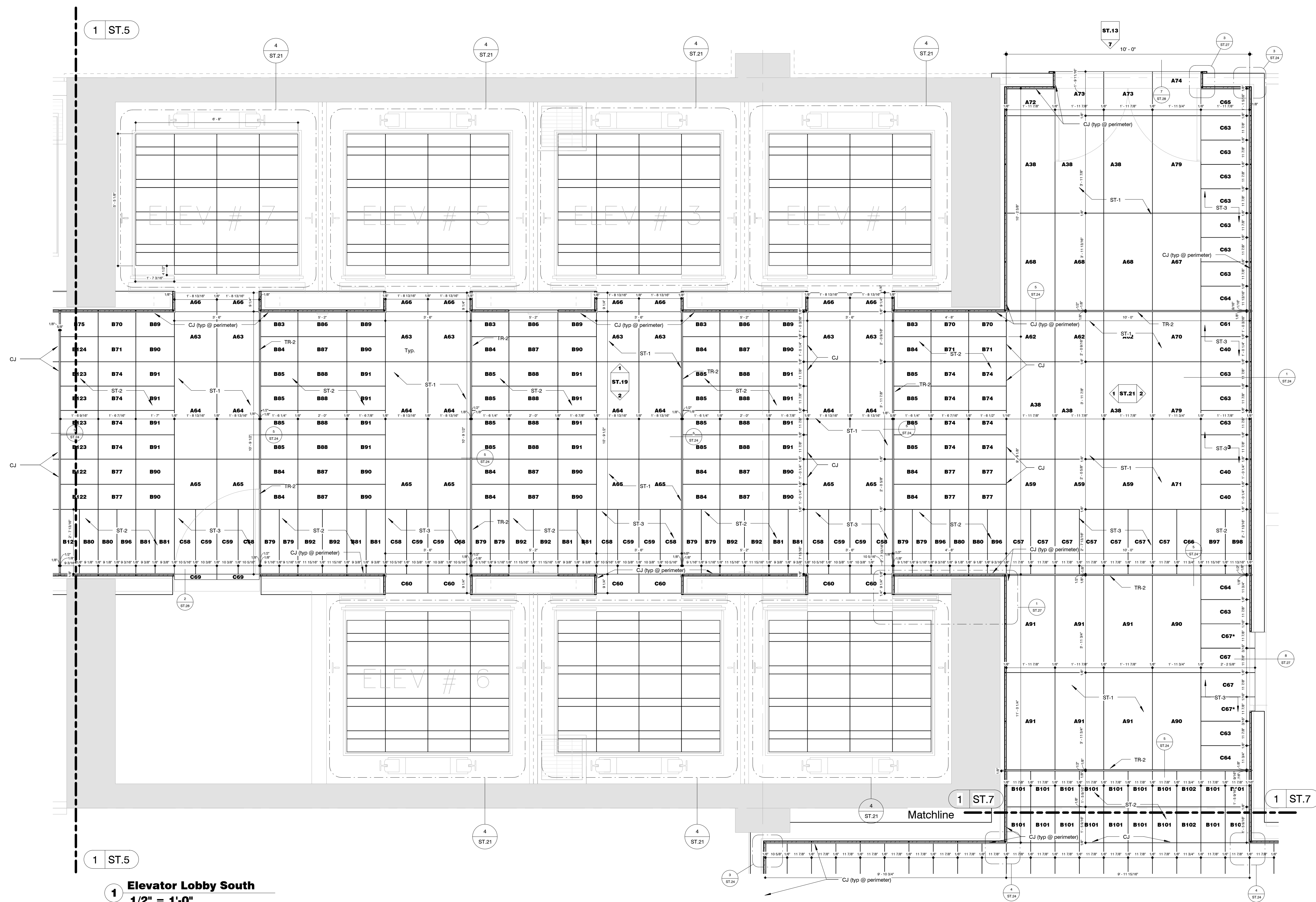
Elevator Lobby
Floor Plans - Level
One

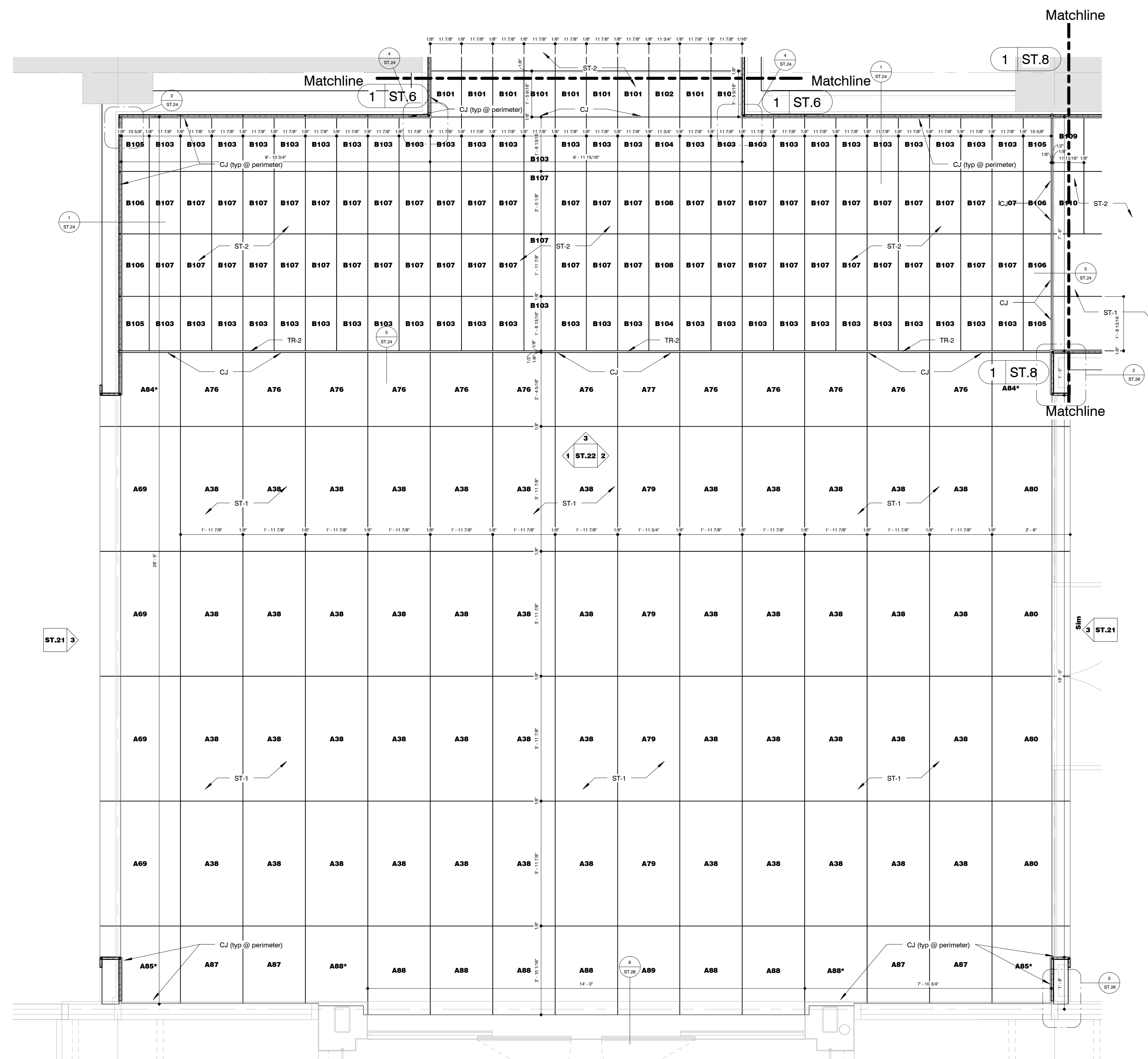
Sheet No.
ST.5

Job No.

Date
9/17/2010
5:01:35 PM

Note: See sheet ST.1 for stone type legend





1 West Lobby
 1/2" = 1'-0"

Revisions	

Stone Project Example

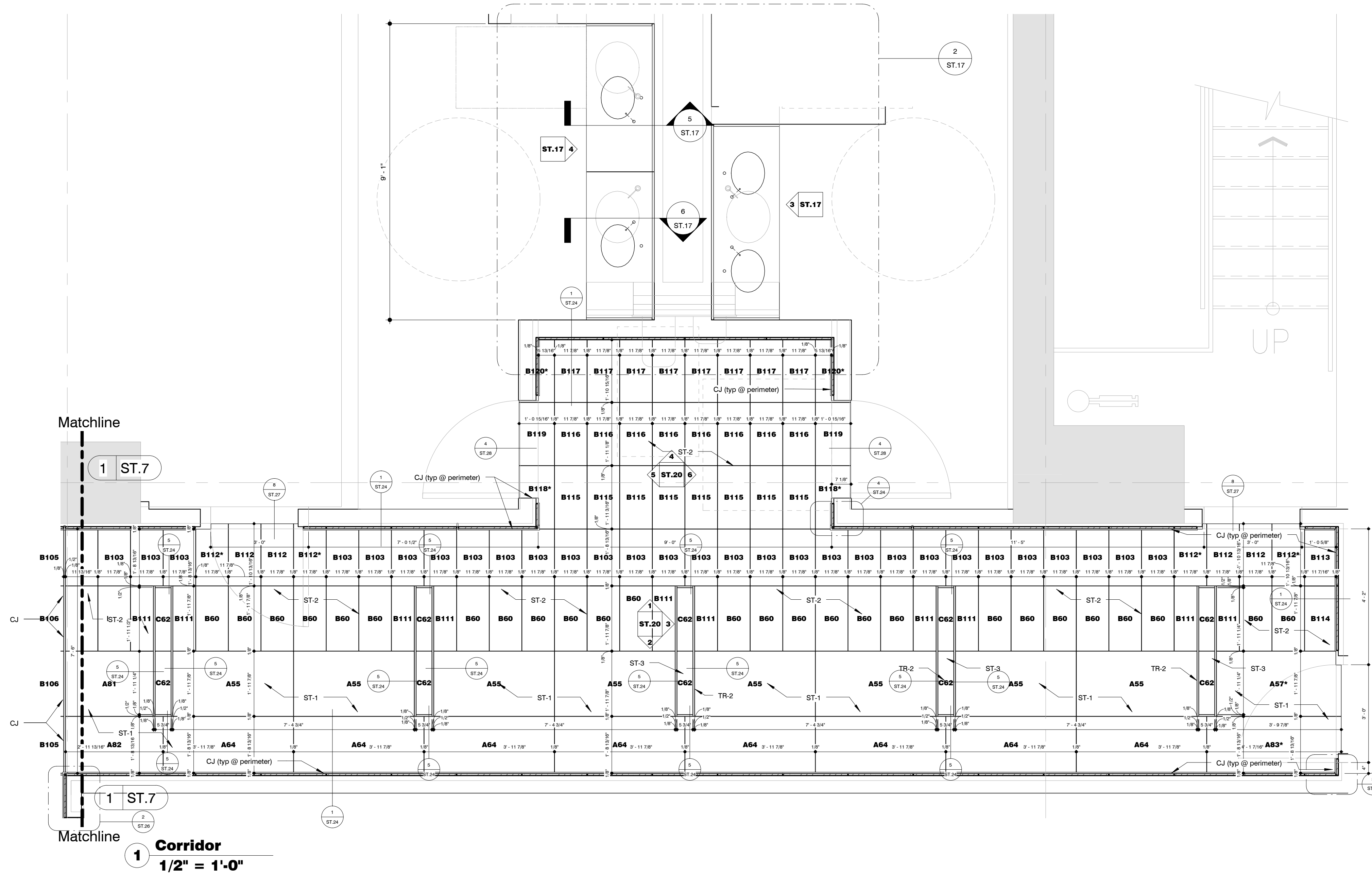
6250 Westpark Suite 218 Houston Texas 77057

**West Lobby Floor
Plans**

**Sheet No.
ST.7**

**Job No.
Date
9/17/2010
5:01:37 PM**

Note: See sheet ST.1 for stone type legend



Revisions

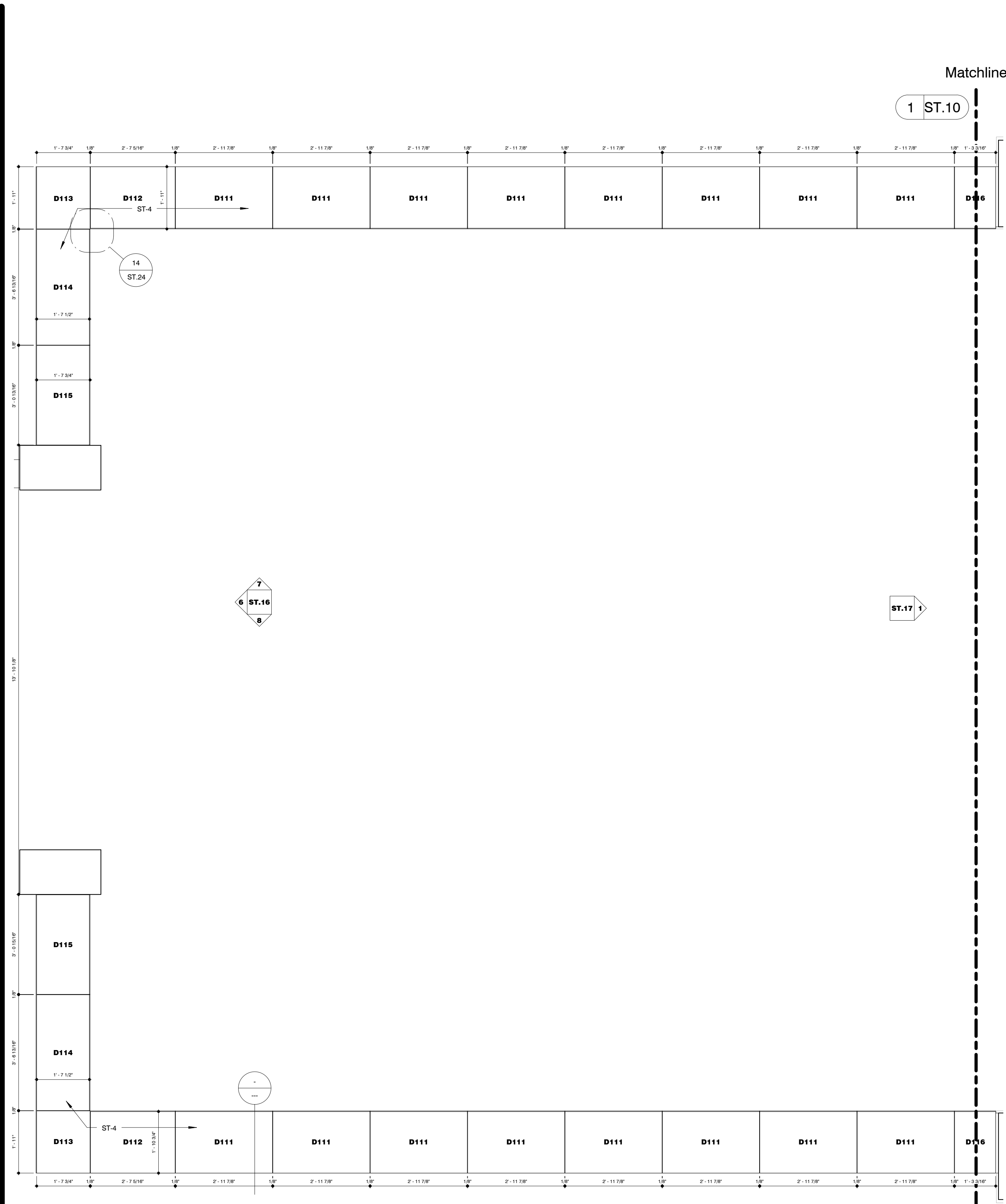
Stone Project Example
6250 Westpark Suite 218 Houston Texas 77057

Corridor Floor Plans

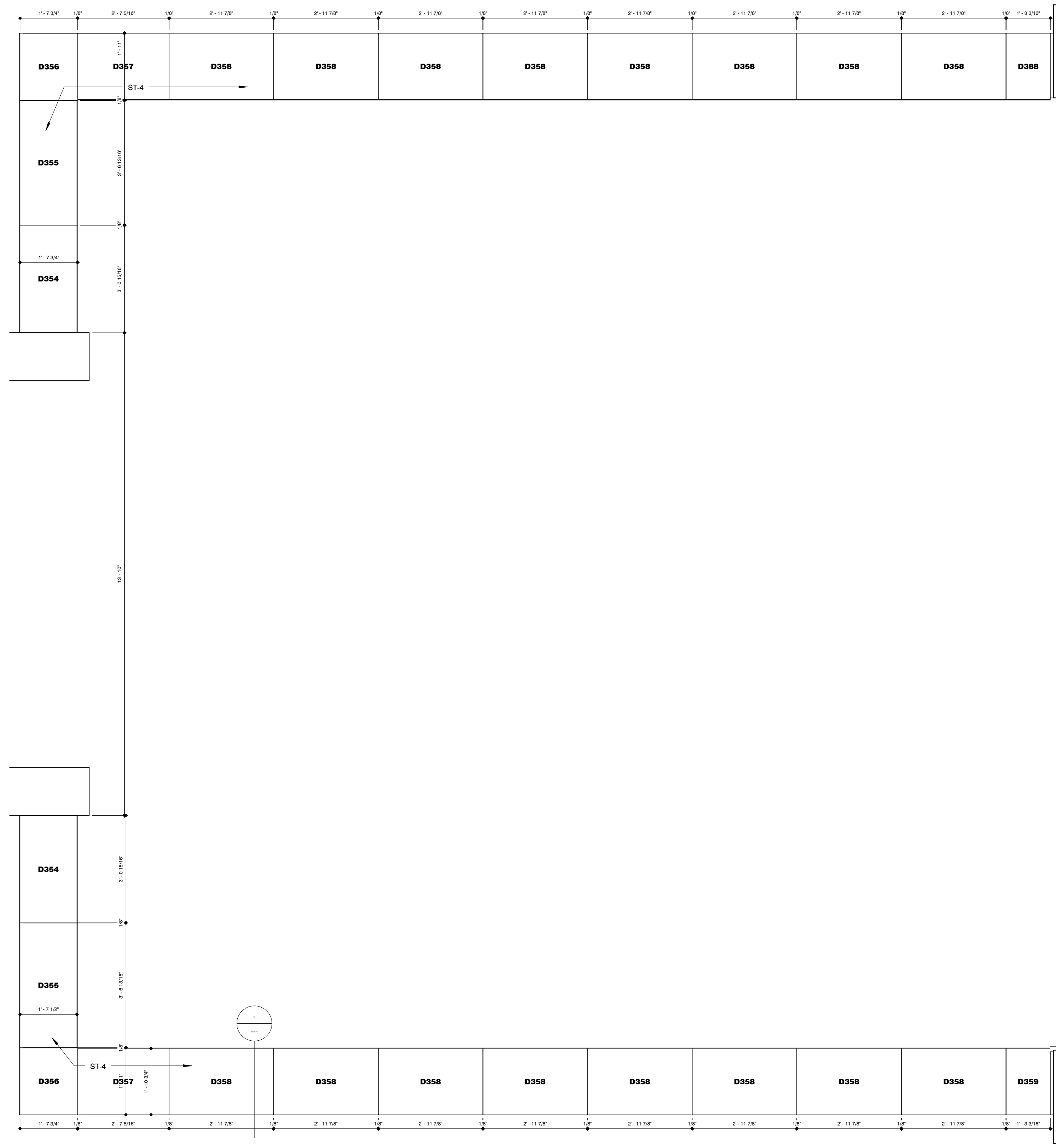
Sheet No.
ST.8

Job No.
Date
9/17/2010
5:01:37 PM

Note: See sheet ST.1 for stone type legend



1 North Lobby
1/2" = 1'-0"



2 North Lobby Reflected Ceiling
1/2" = 1'-0"

Revisions

Stone Project Example
6250 Westpark Suite 218 Houston Texas 77057

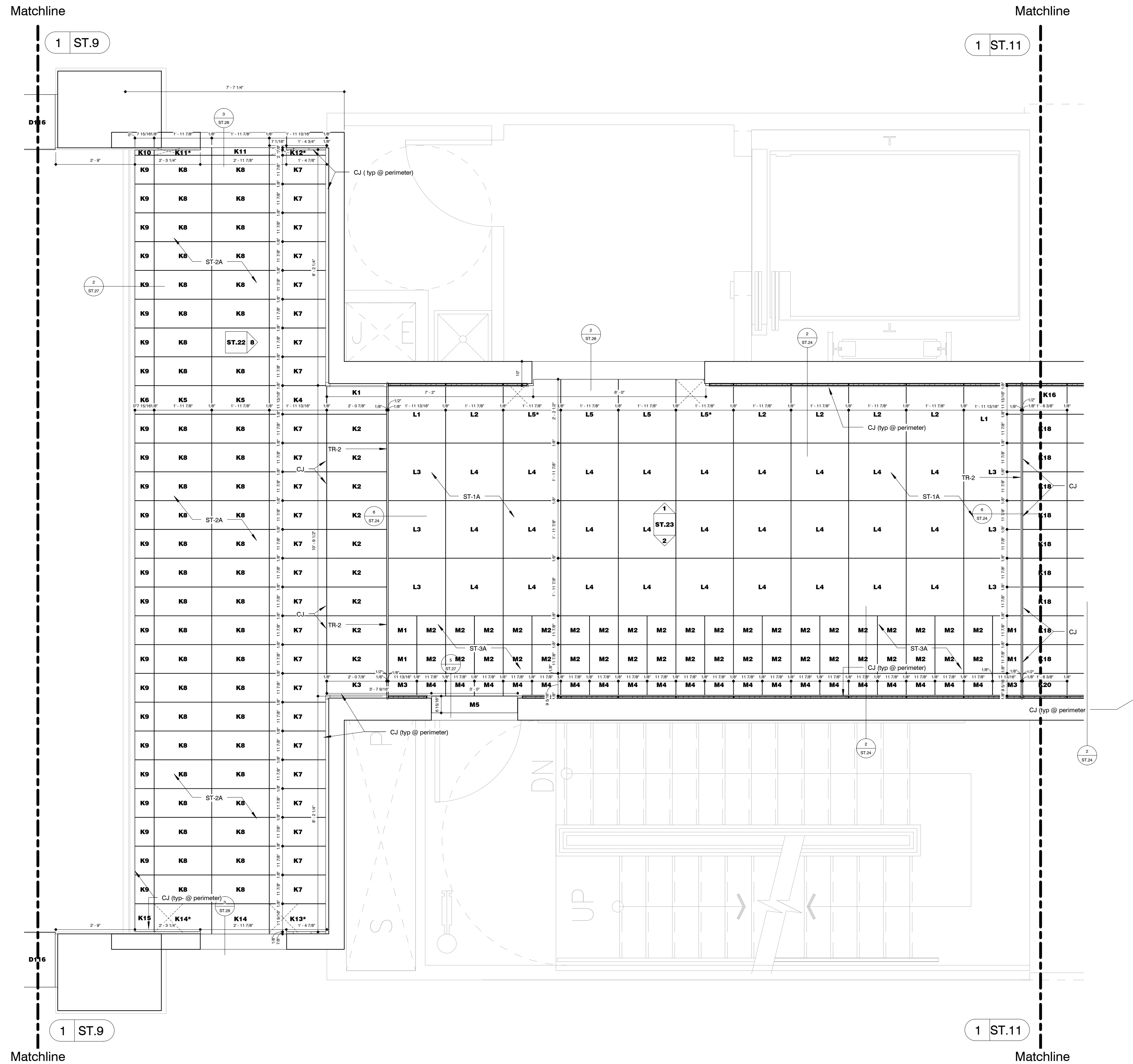
North Lobby Floor Plans - Level 2

Sheet No.
ST.9

Job No.

Date
9/17/2010
5:01:39 PM

Note: See sheet ST.1 for stone type legend



1 Elevator Lobby - Level 2
1/2" = 1'-0"

Note: See sheet ST.1 for stone type legend

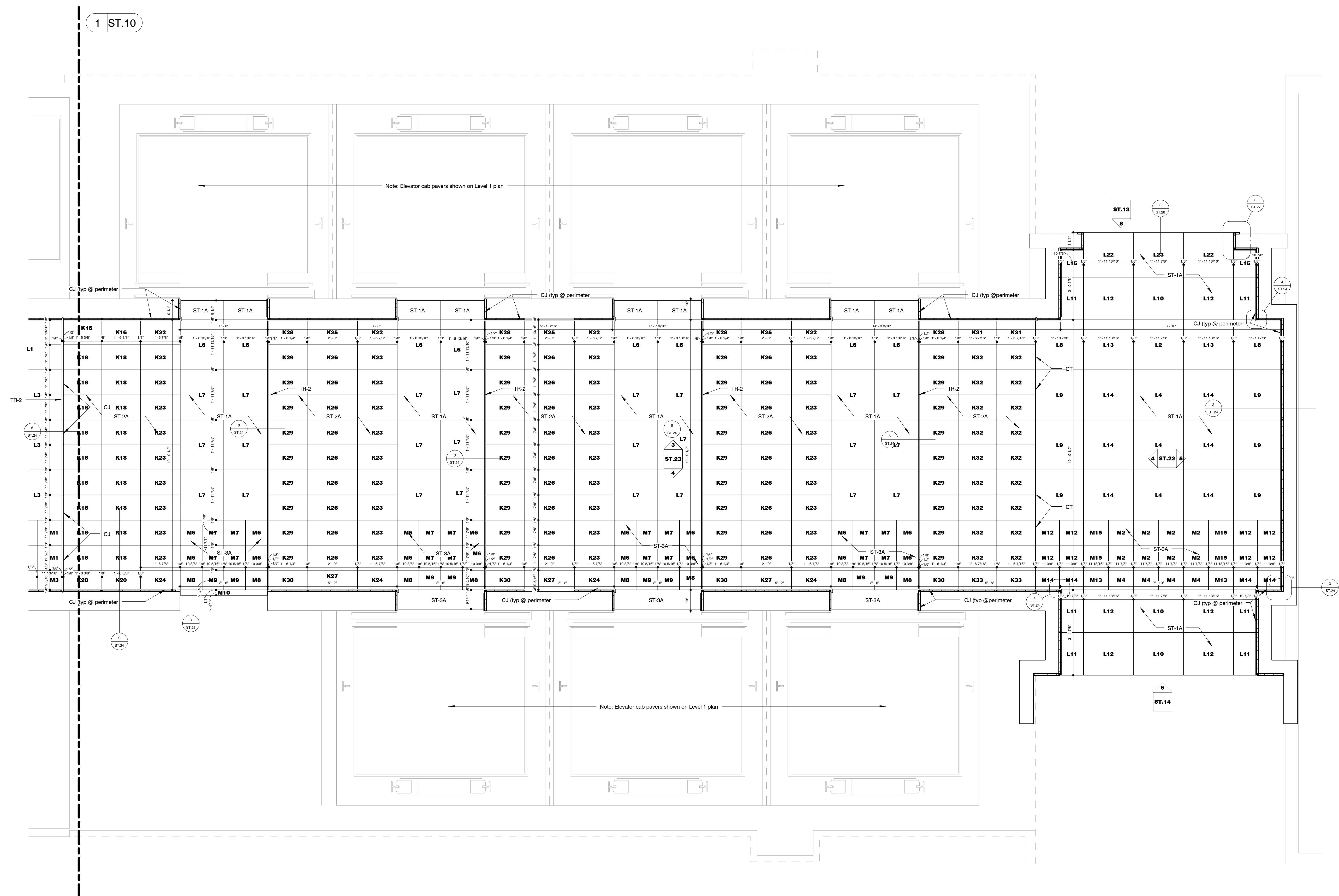
Revisions

Stone Project Example
 6250 Westpark Suite 218 Houston Texas 77057

Elevator Lobby Floor Plans - Level Two

Sheet No.
ST.10

Job No.
 Date
 9/17/2010
 5:01:40 PM



1 ST.10

Note: Elevator cab pavers shown on Level 1 plan

1 Elevator Lobby - Level 2
 1/2" = 1'-0"

Revisions

No.	Description

Stone Project Example

6250 Westpark Suite 218 Houston Texas 77057

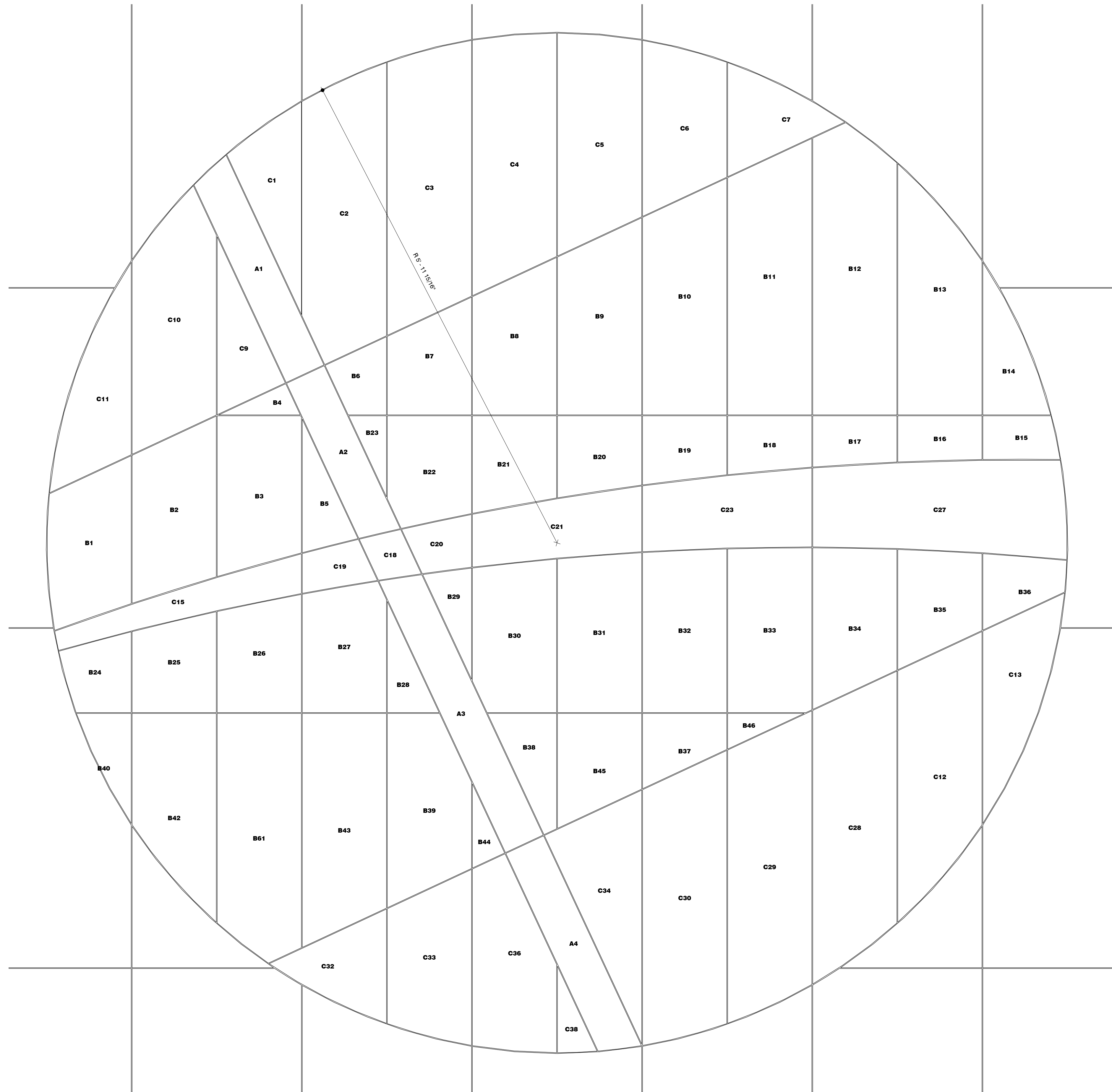
**Elevator Lobby
 Floor Plans - Level
 Two**

**Sheet No.
 ST.11**

Job No.

**Date
 9/17/2010
 5:01:41 PM**

Note: See sheet ST.1 for stone type legend



1 North Lobby
1 1/2" = 1'-0"

Note: See sheet ST.1 for stone type legend

Revisions

Stone Project Example

6250 Westpark Suite 218 Houston Texas 77057

**North Lobby Floor
 Plan Enlargement**

Sheet No.

ST.12

Job No.

Date
 9/17/2010
 5:01:41 PM

Revisions

Stone Project Example

6250 Westpark Suite 218 Houston Texas 77057

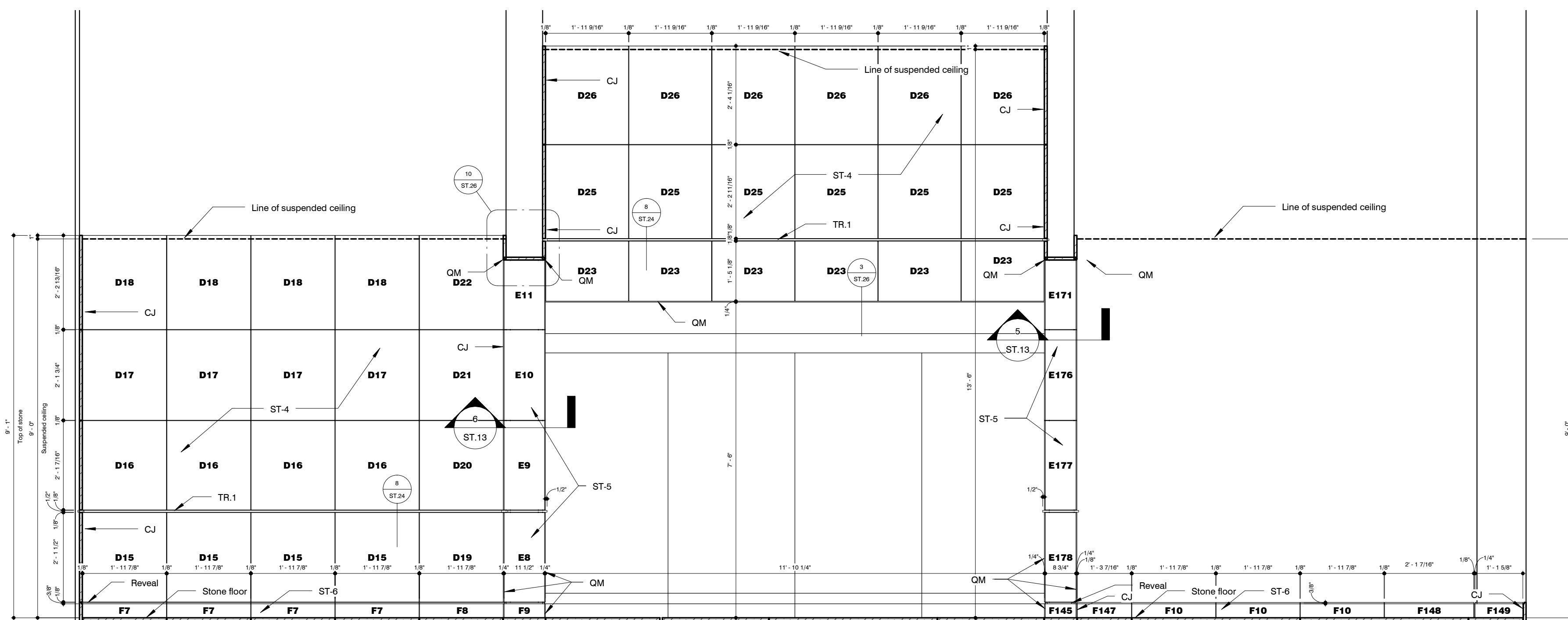
Elevations/Plans

Sheet No.

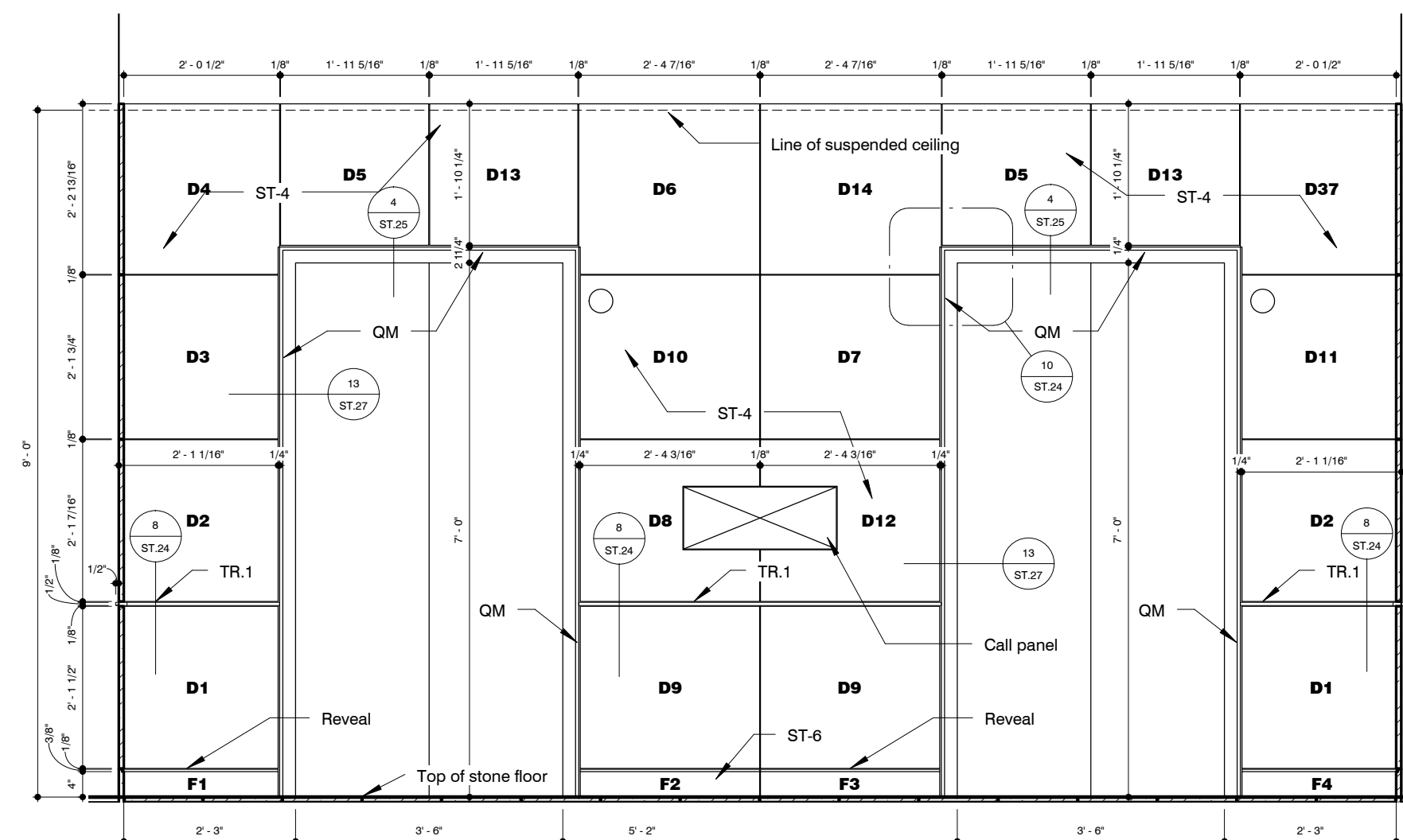
ST.13

Job No.

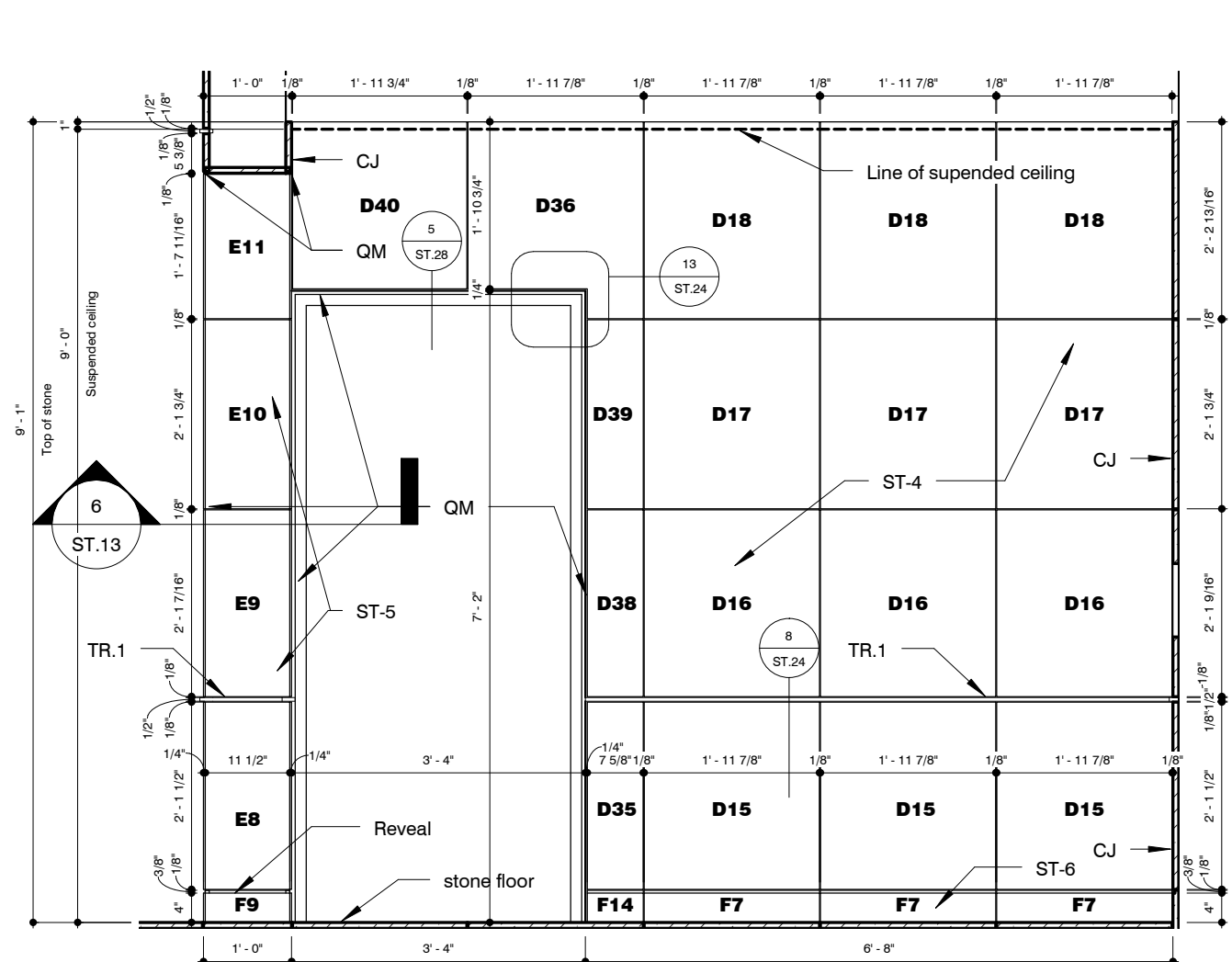
Date
9/17/2010
5:01:43 PM



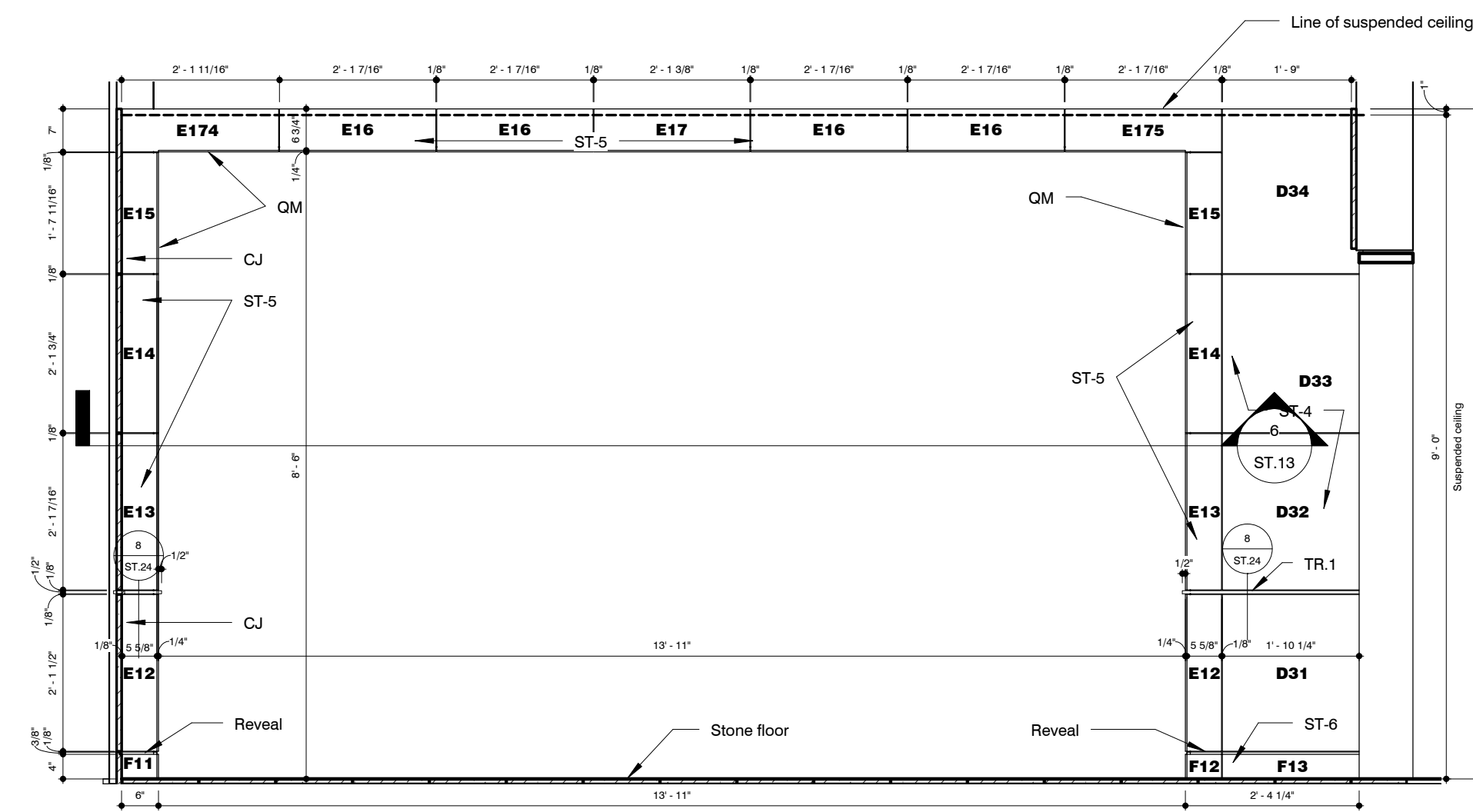
1 Garage Lobby
1/2" = 1'-0"



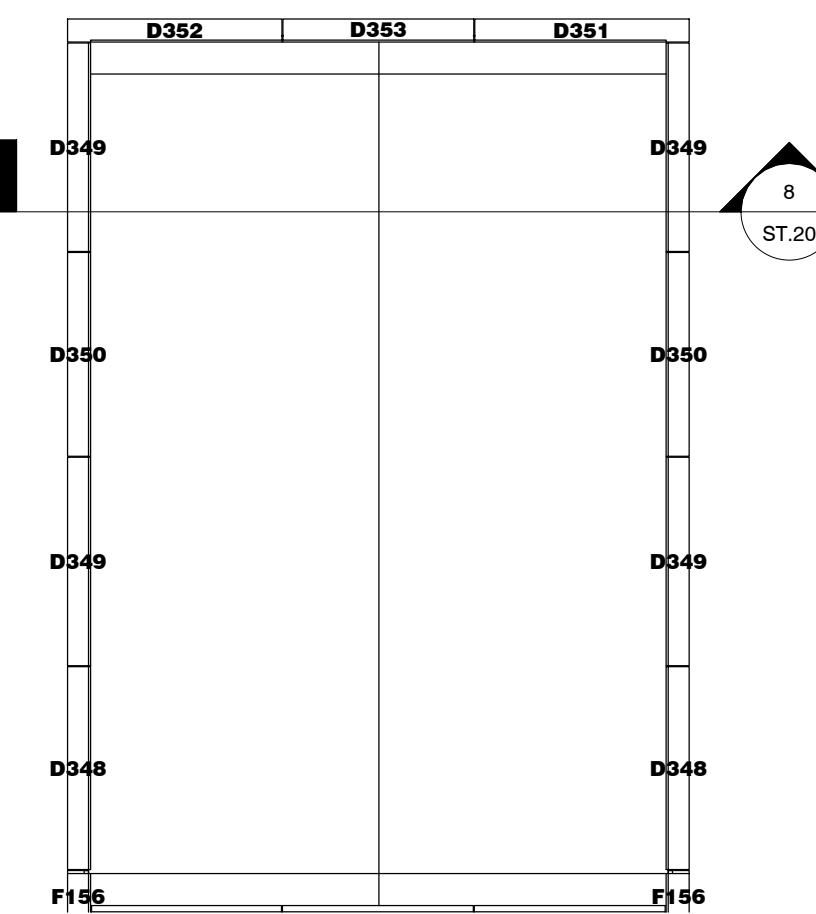
2 Garage Lobby
1/2" = 1'-0"



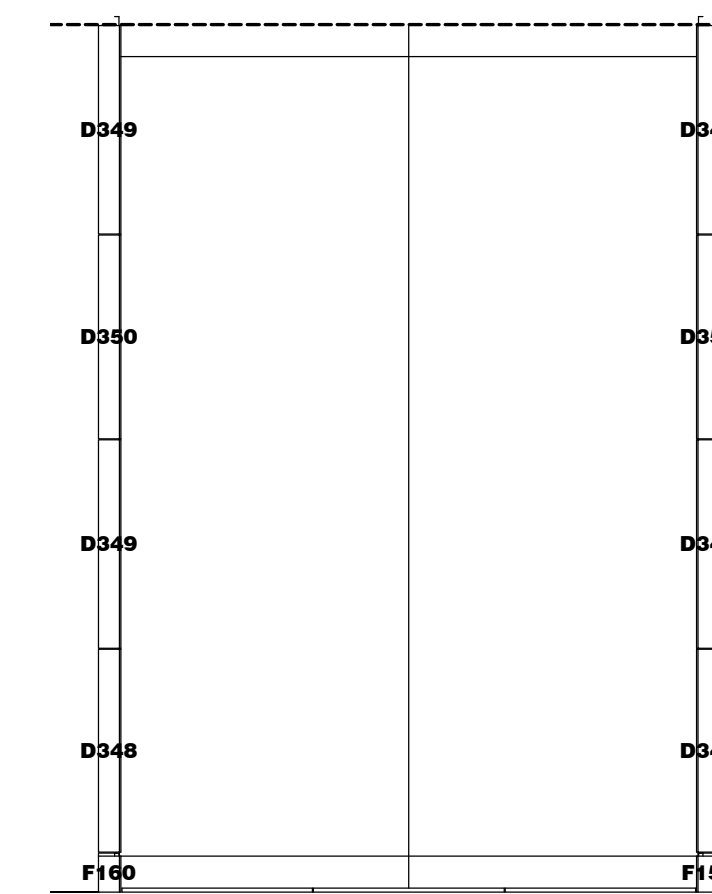
3 Garage Lobby
1/2" = 1'-0"



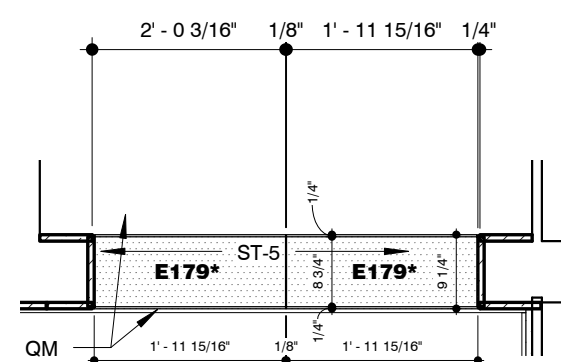
4 Garage Lobby
1/2" = 1'-0"



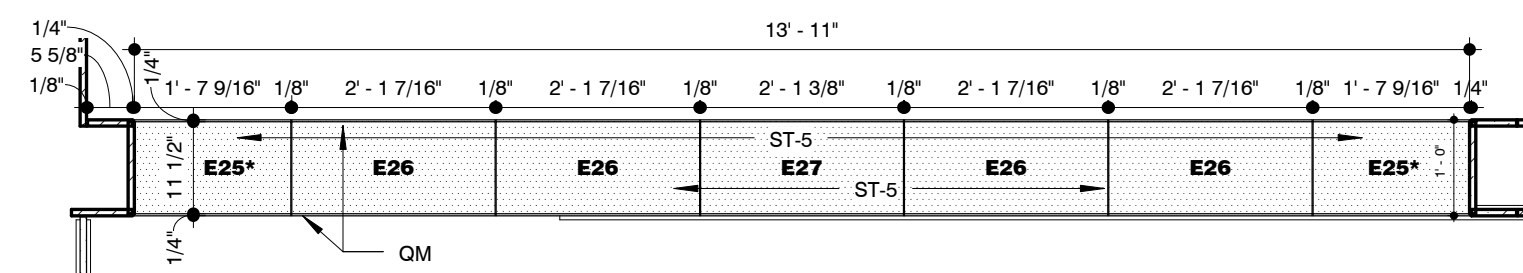
7 Level 1 Lease East
1/2" = 1'-0"



8 Level 2 Lease East
1/2" = 1'-0"

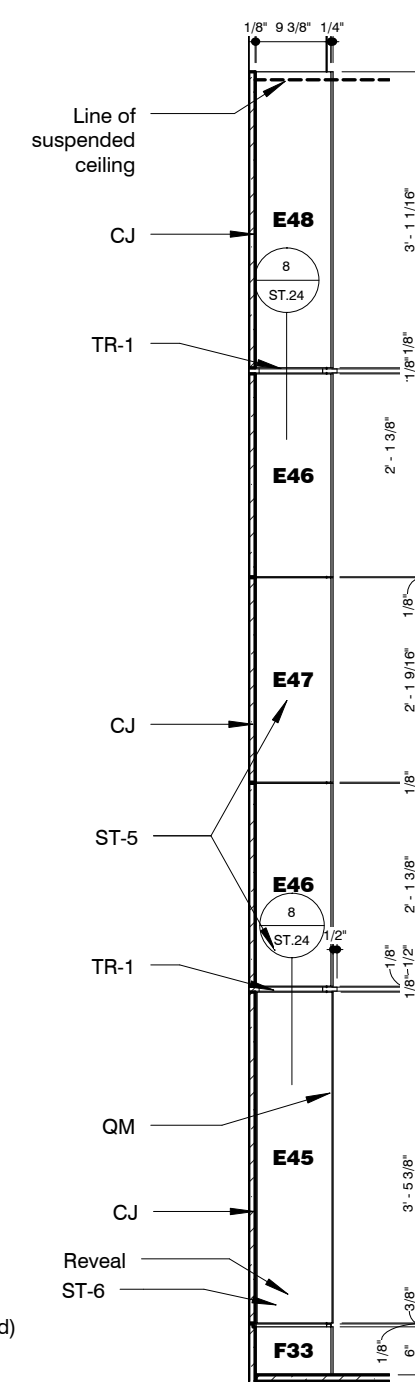
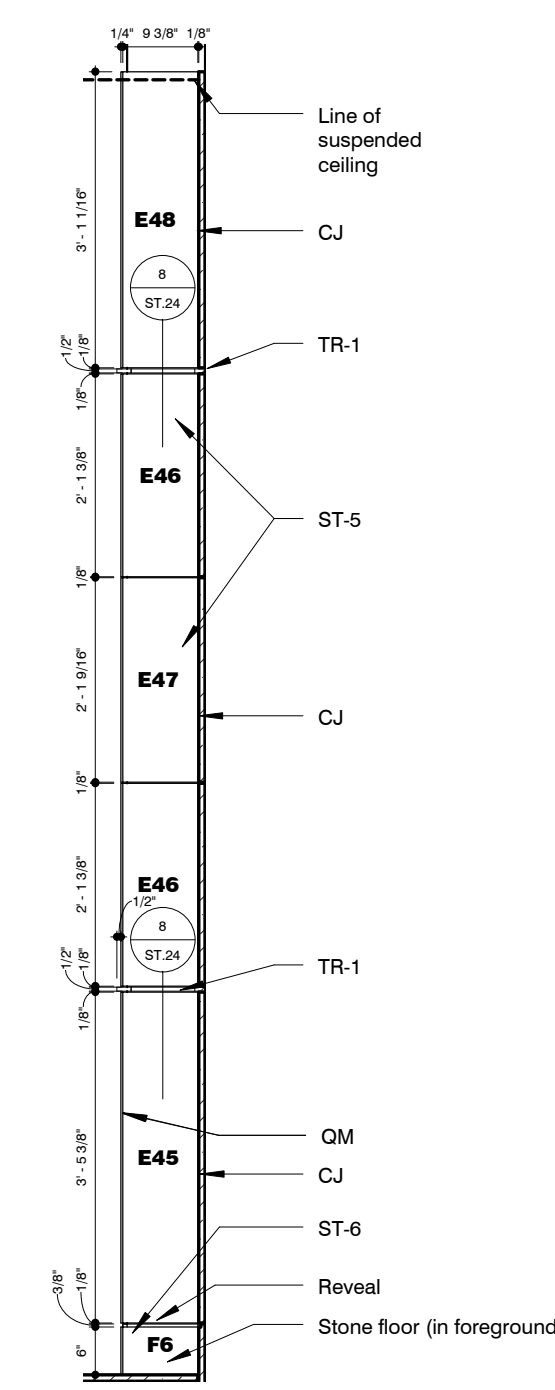
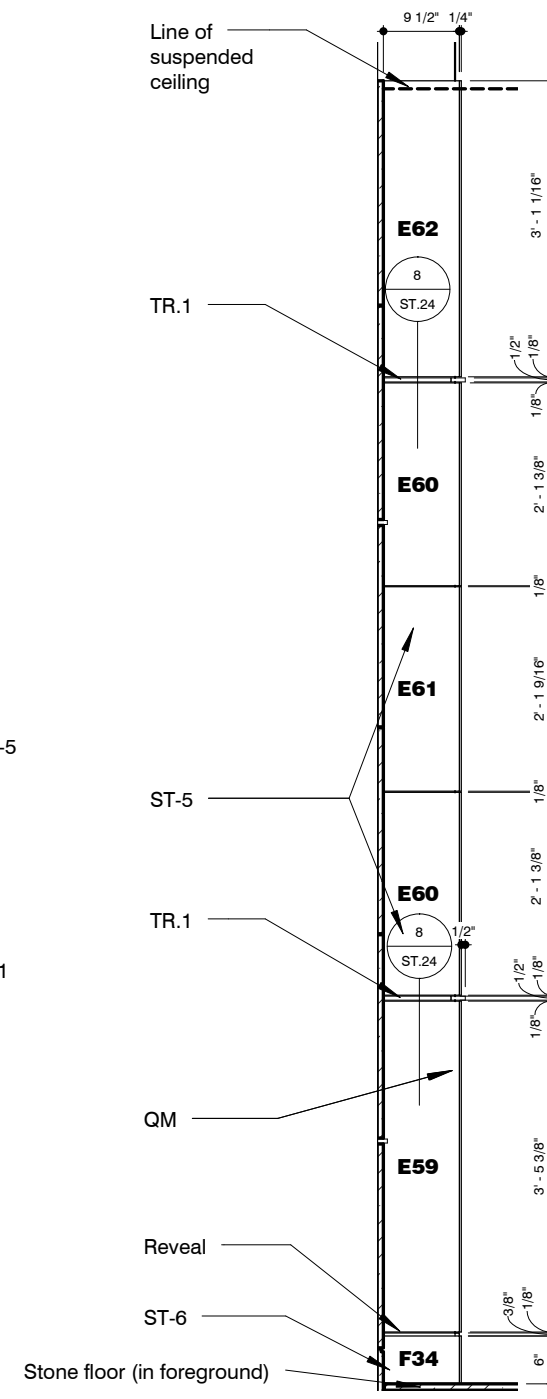
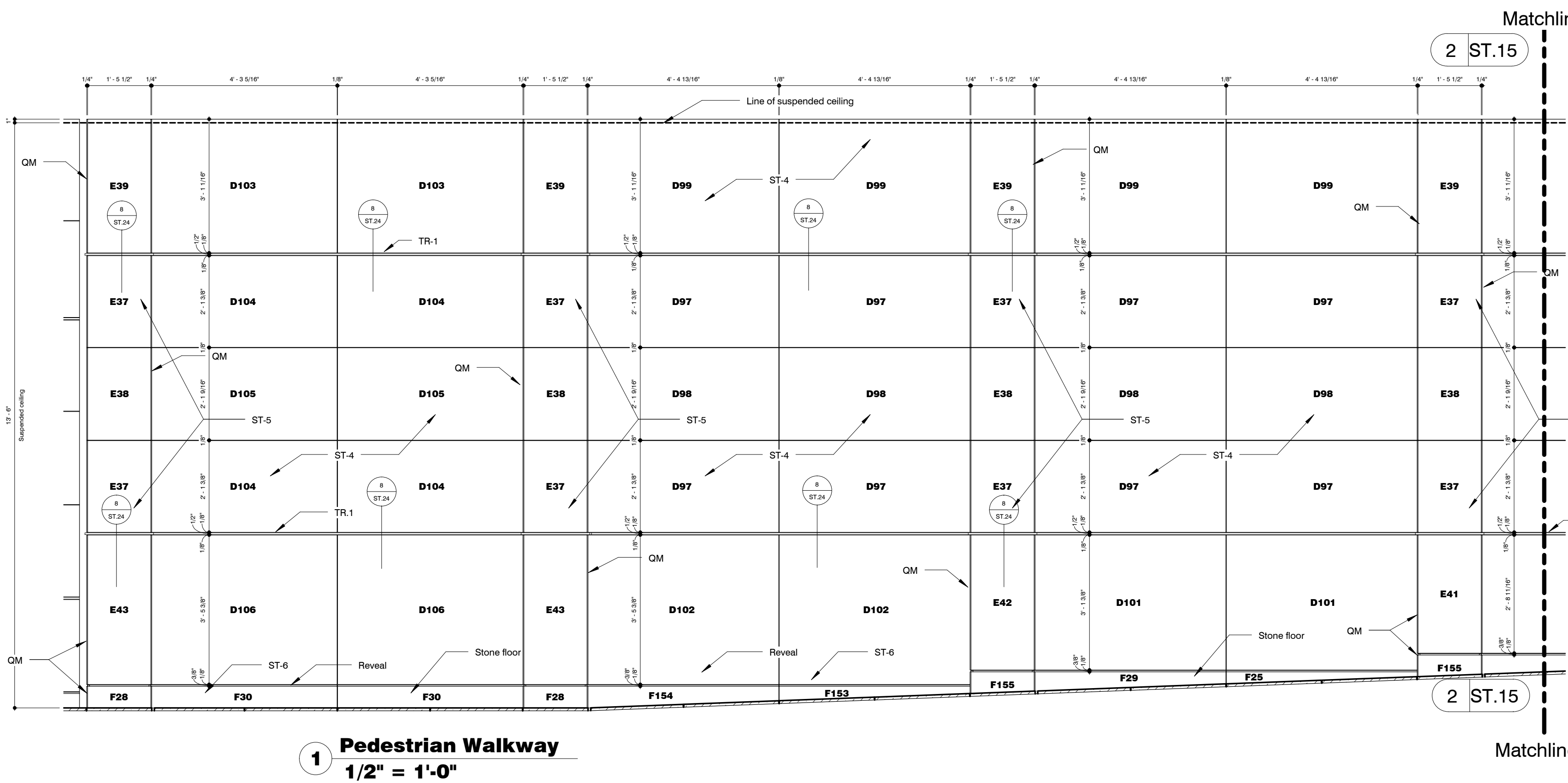


5 Mail Room/Garage Lobby
1/2" = 1'-0"



6 Garage Lobby
1/2" = 1'-0"

Note: See sheet ST.1 for stone type legend



Revisions

Stone Project Example

6250 Westpark Suite 218 Houston Texas 77057

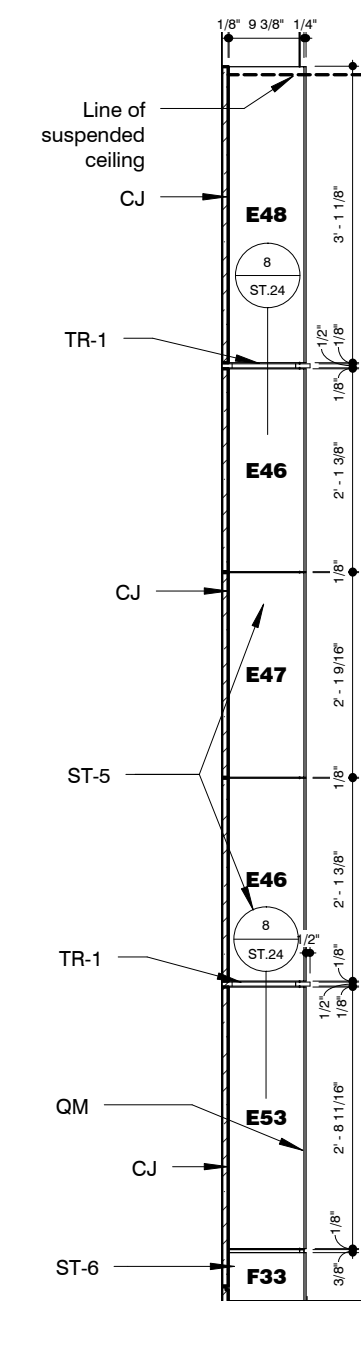
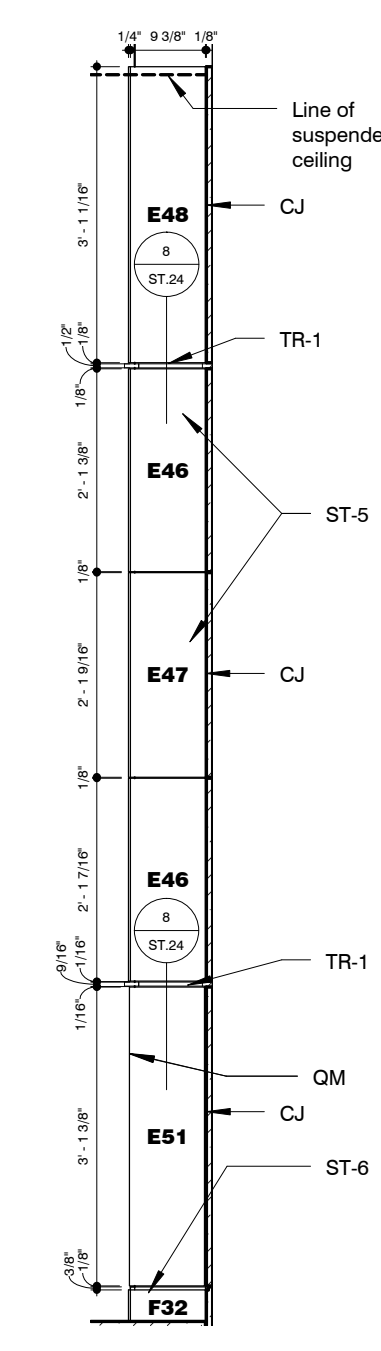
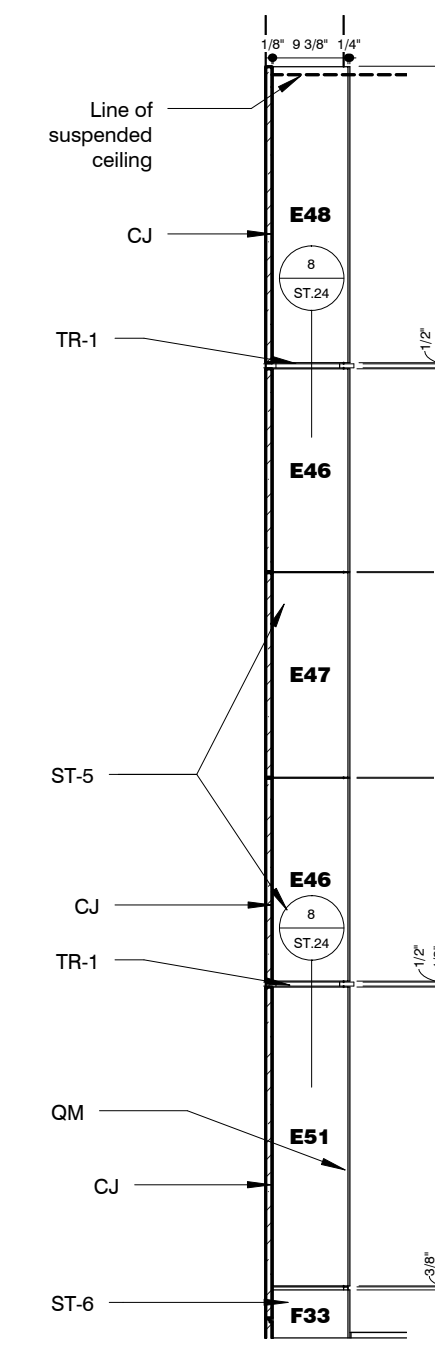
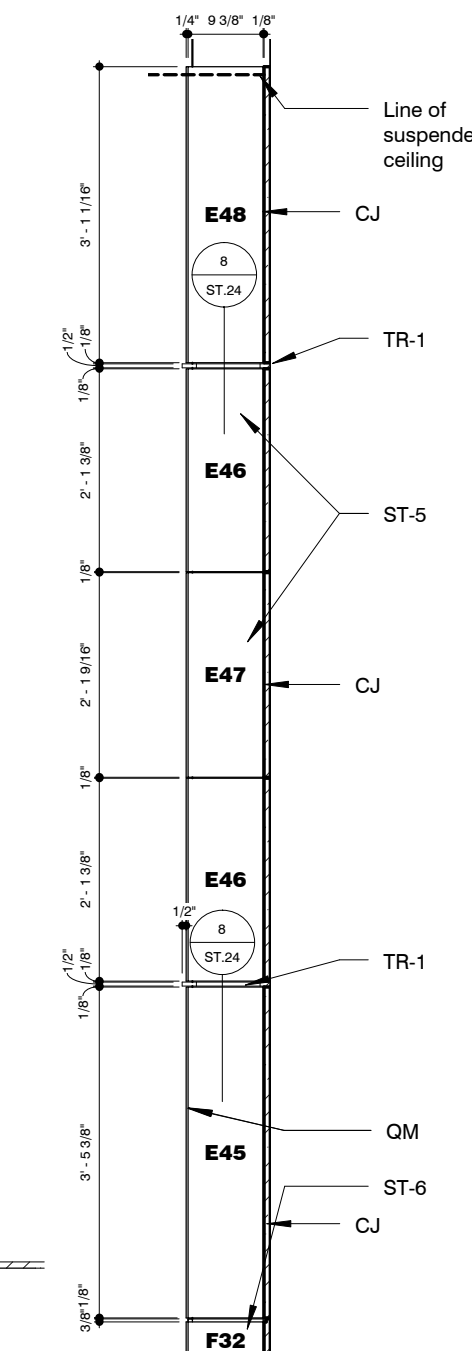
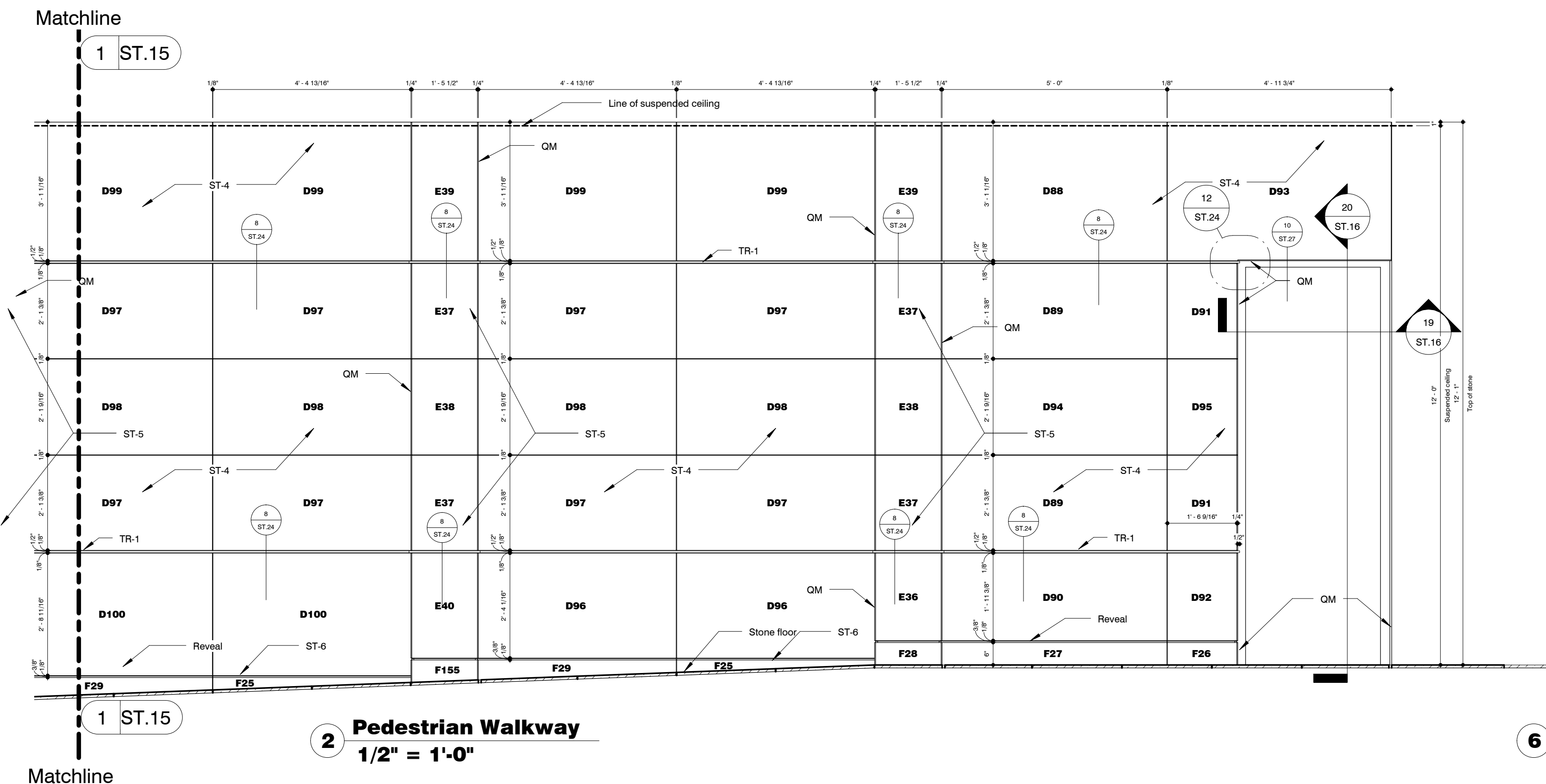
Elevations

Sheet No.

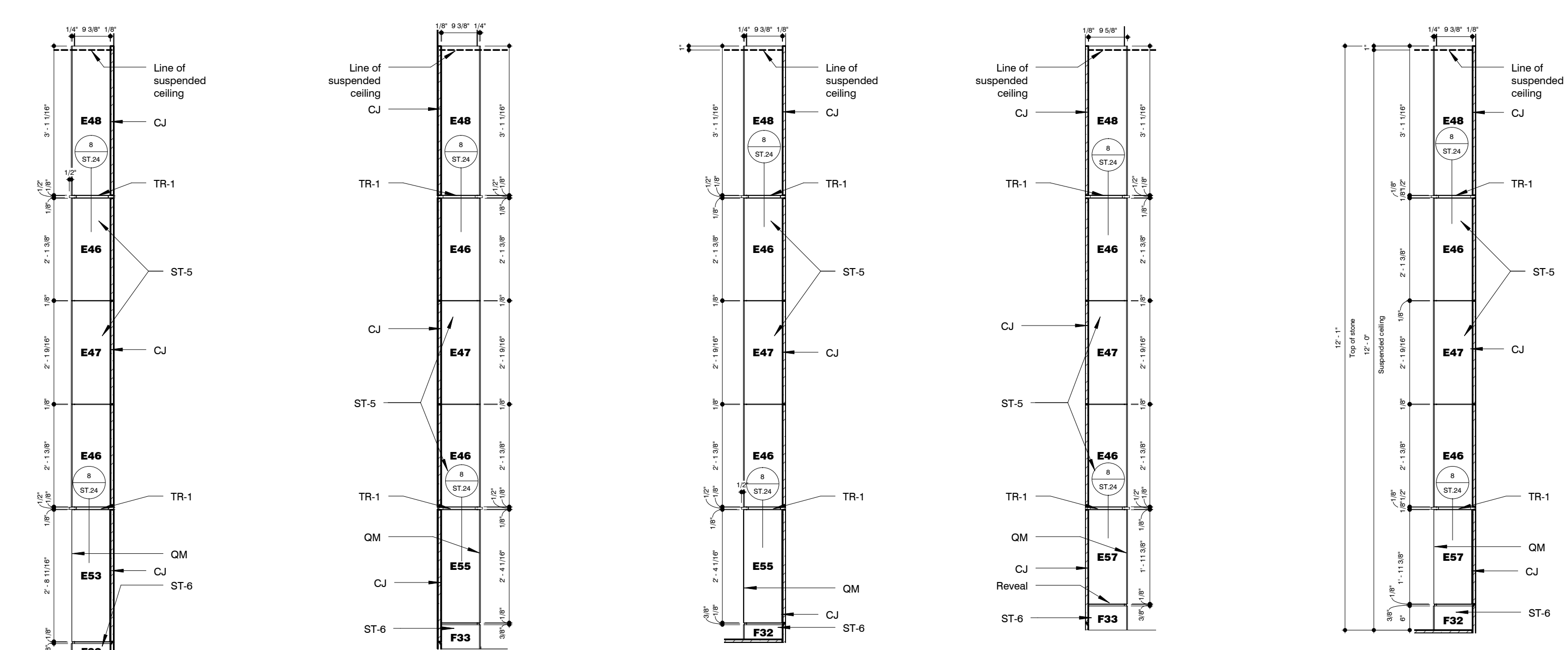
ST.15

Job No.

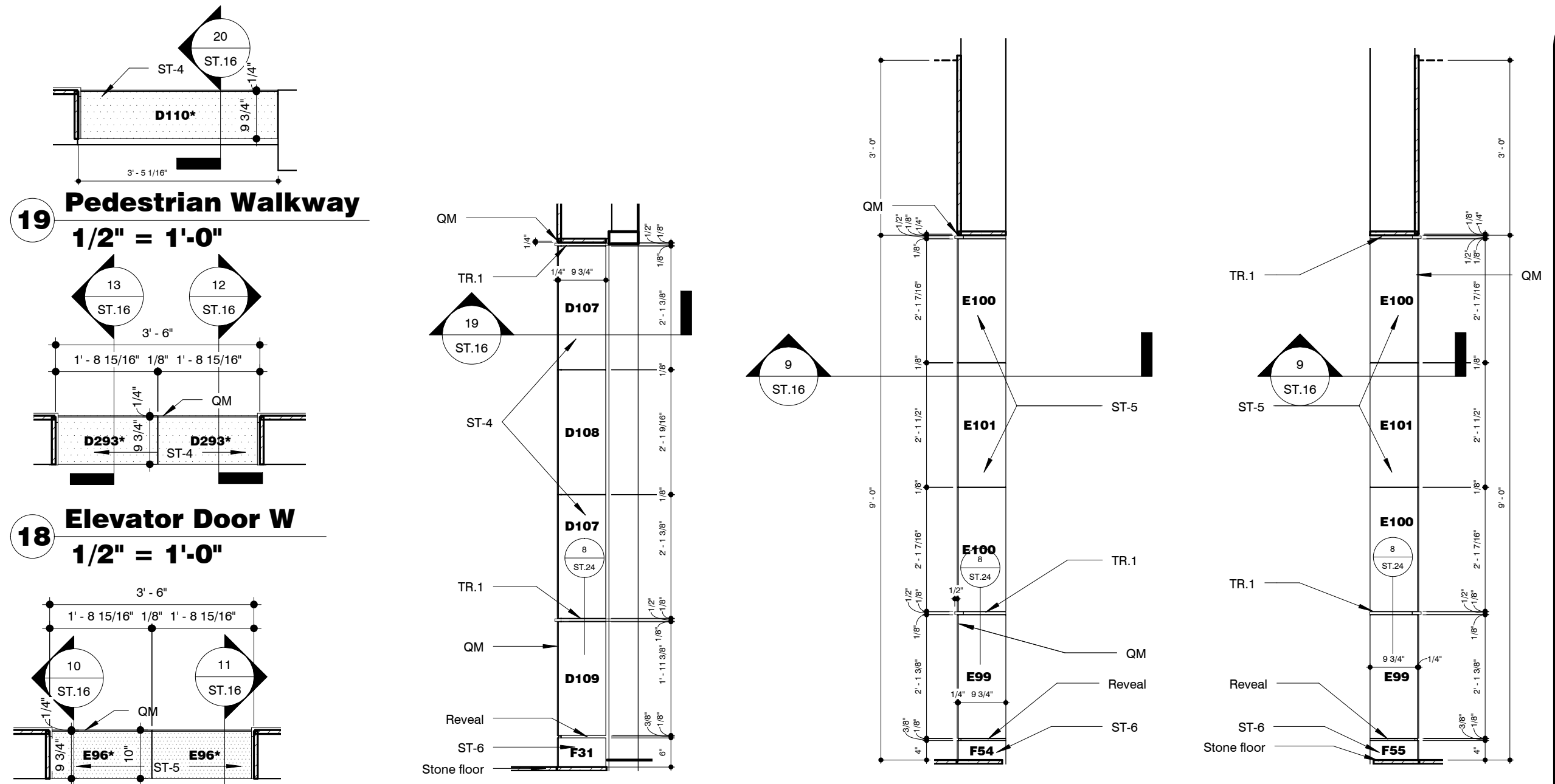
Date
9/17/2010
5:01:46 PM



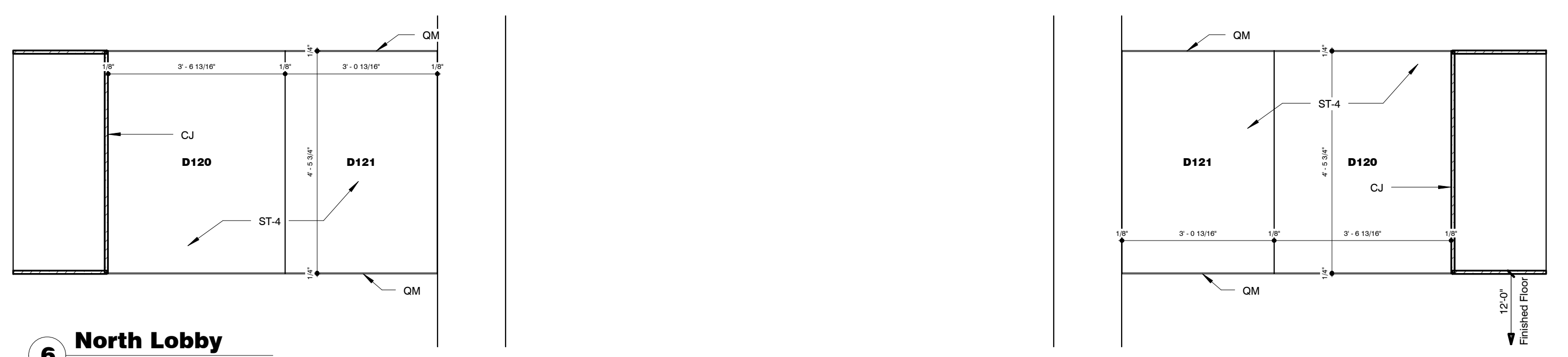
Note: See sheet ST.1 for stone type legend



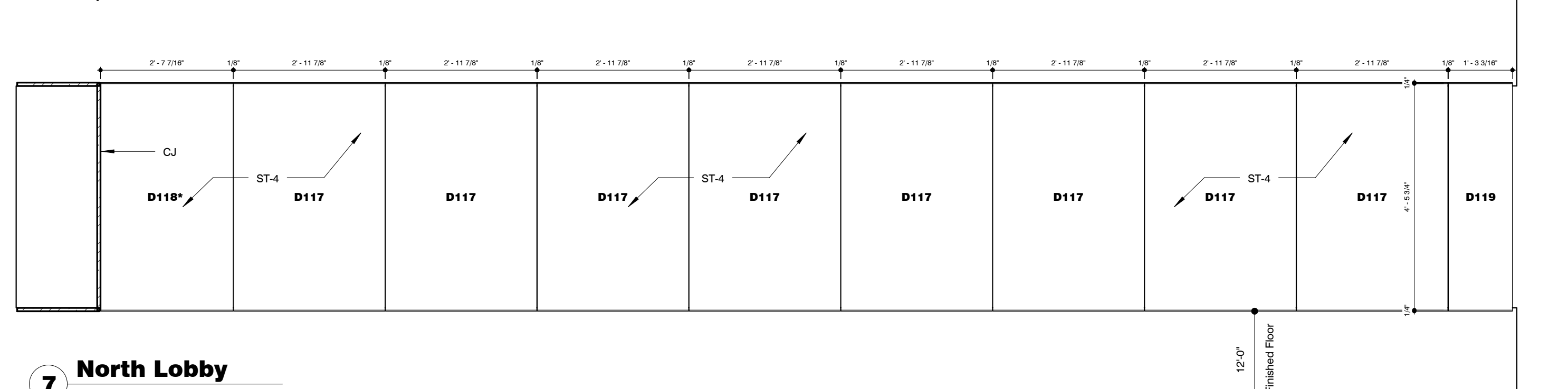
1 Pedestrian Walkway 1/2" = 1'-0"
 2 Pedestrian Walkway 1/2" = 1'-0"
 3 Pedestrian Walkway 1/2" = 1'-0"
 4 Pedestrian Walkway 1/2" = 1'-0"
 5 Pedestrian Walkway 1/2" = 1'-0"



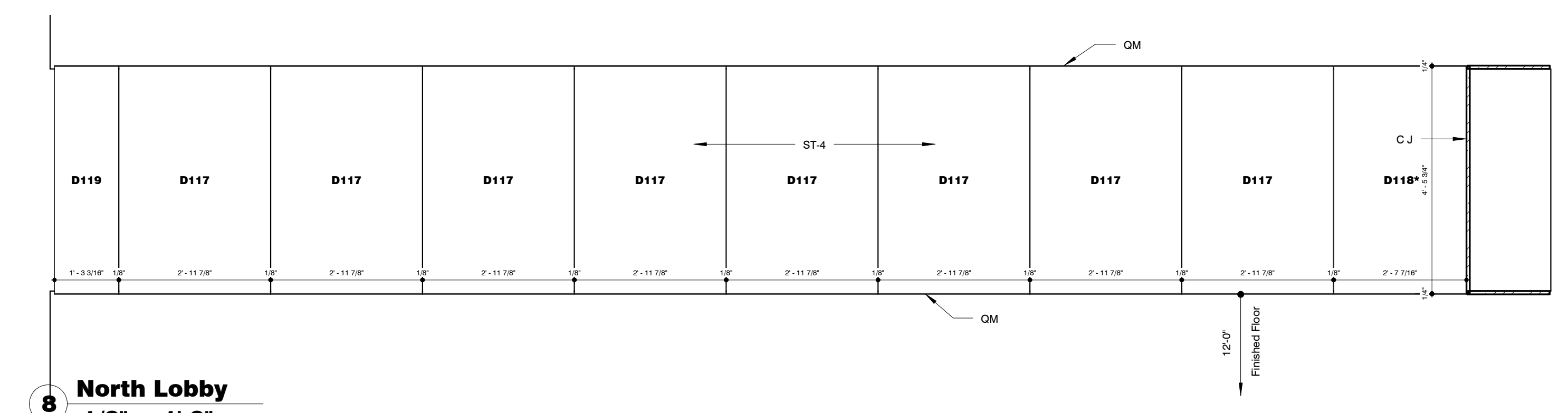
9 Elevator Lobby 1/2" = 1'-0"
 10 Elevator Lobby 1/2" = 1'-0"
 11 Elevator Lobby 1/2" = 1'-0"
 19 Pedestrian Walkway 1/2" = 1'-0"
 20 Pedestrian Walkway 1/2" = 1'-0"



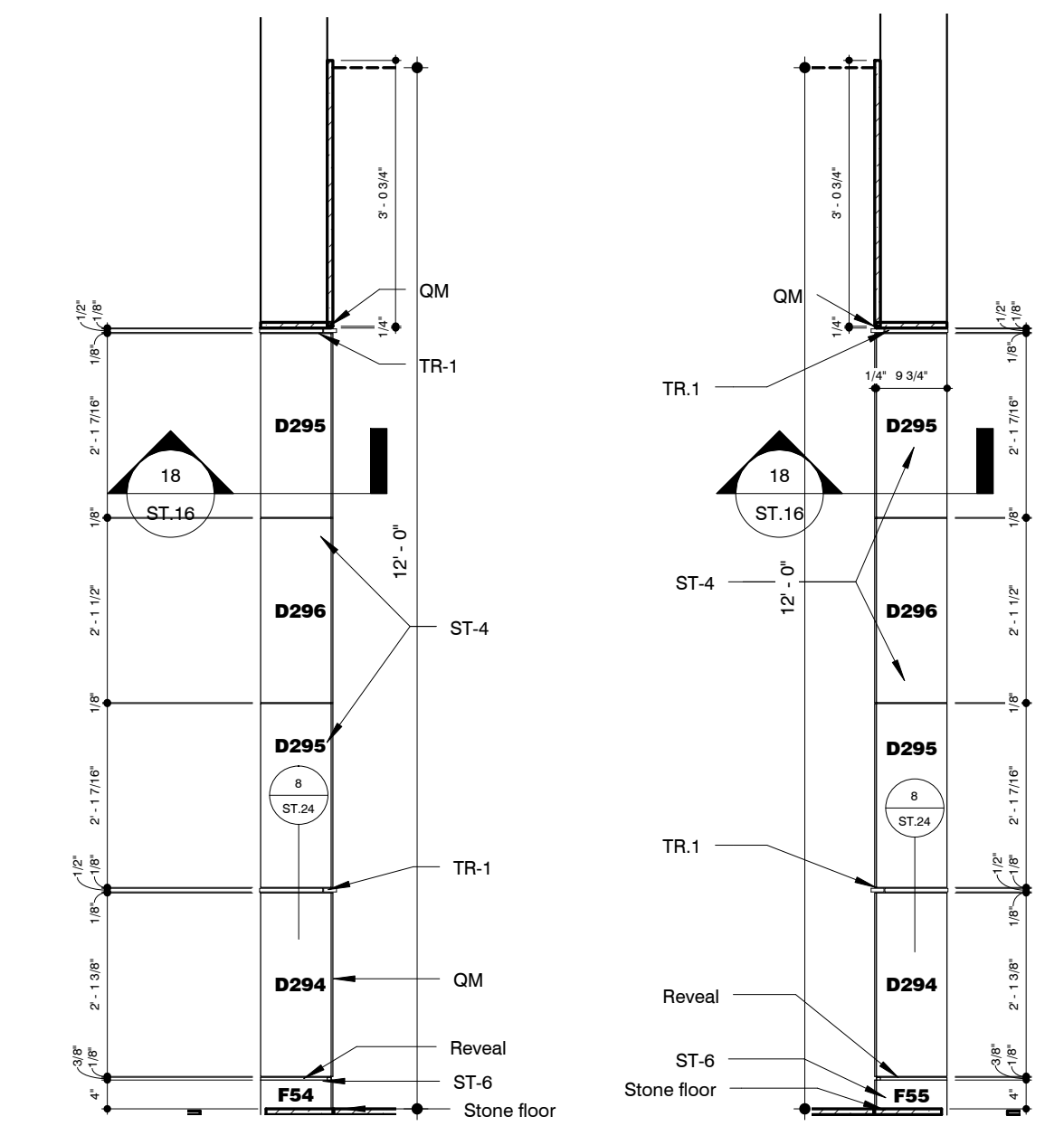
6 North Lobby 1/2" = 1'-0"



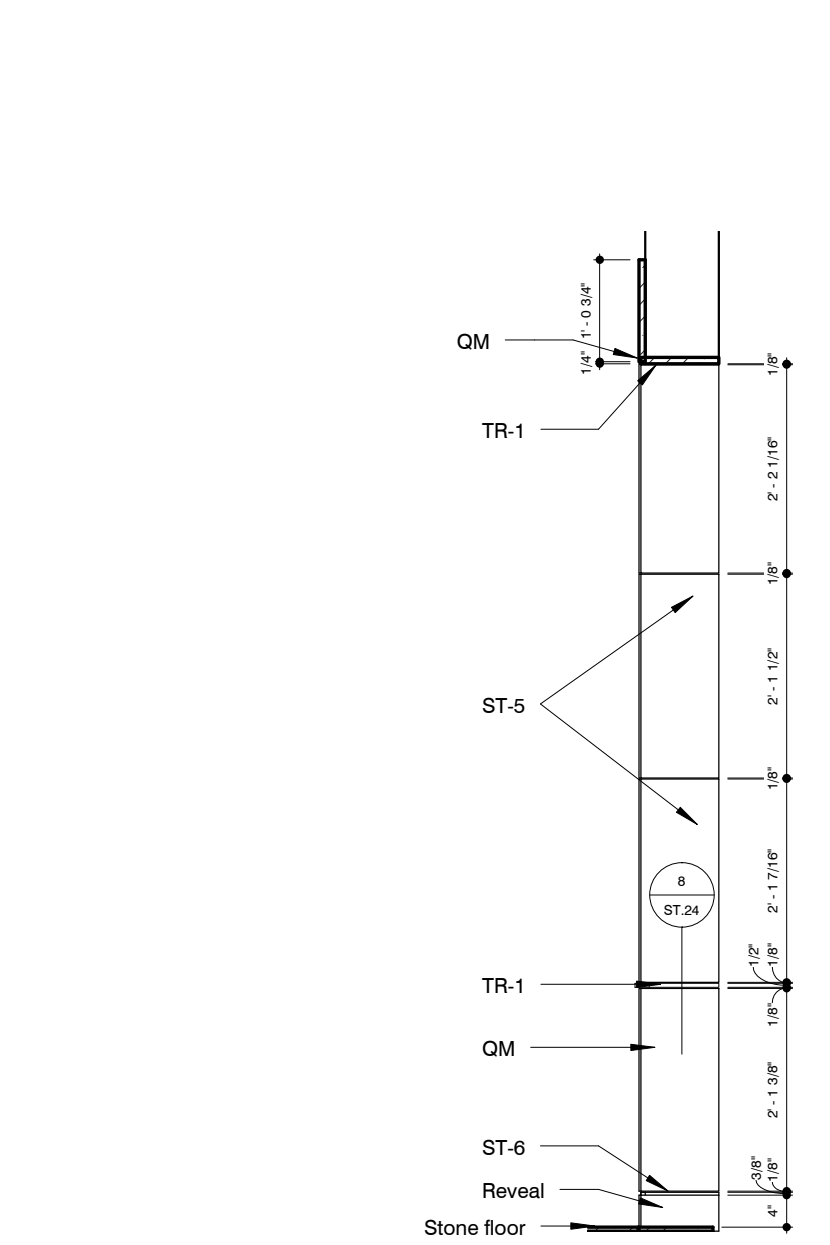
7 North Lobby 1/2" = 1'-0"



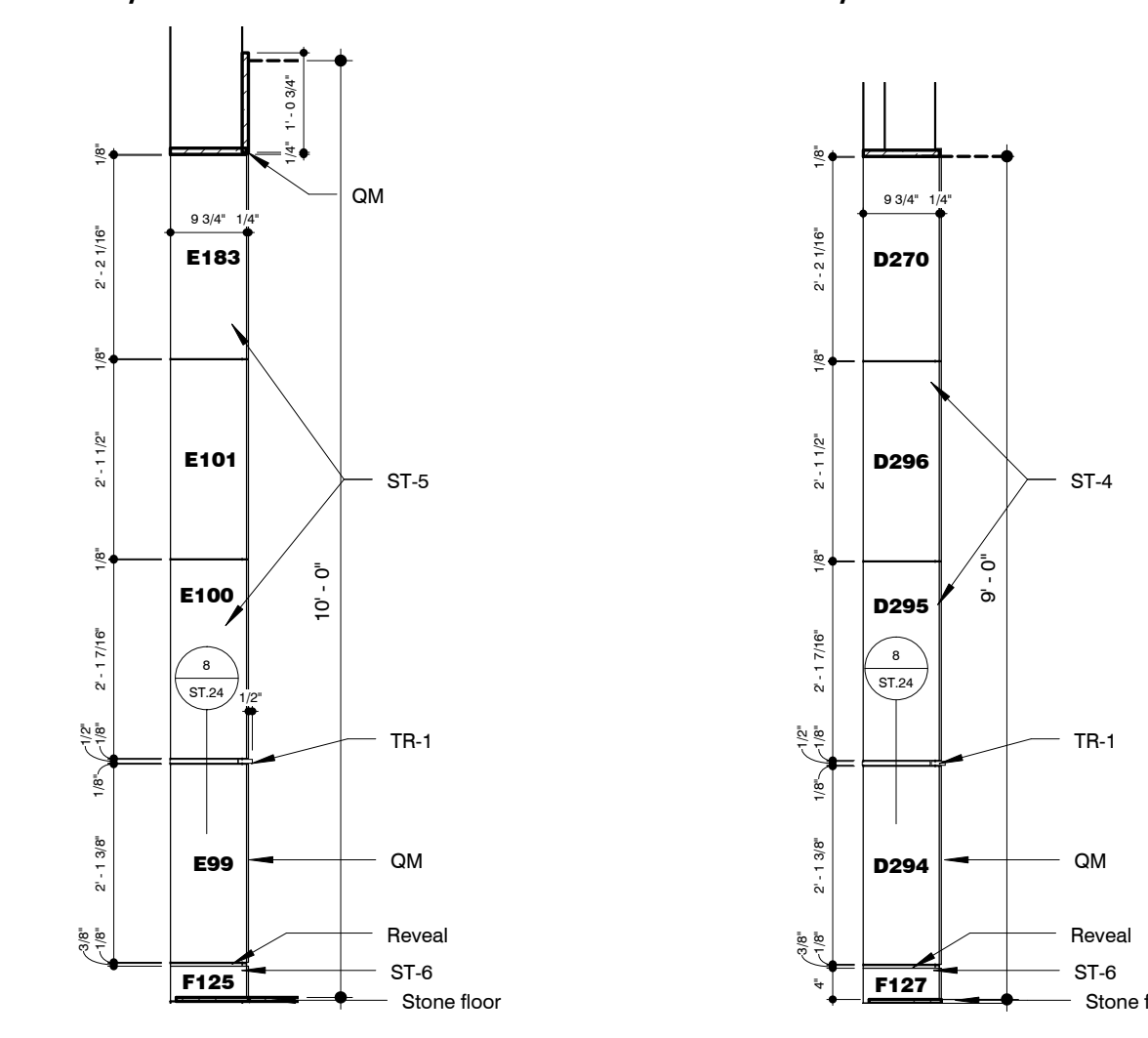
8 North Lobby 1/2" = 1'-0"



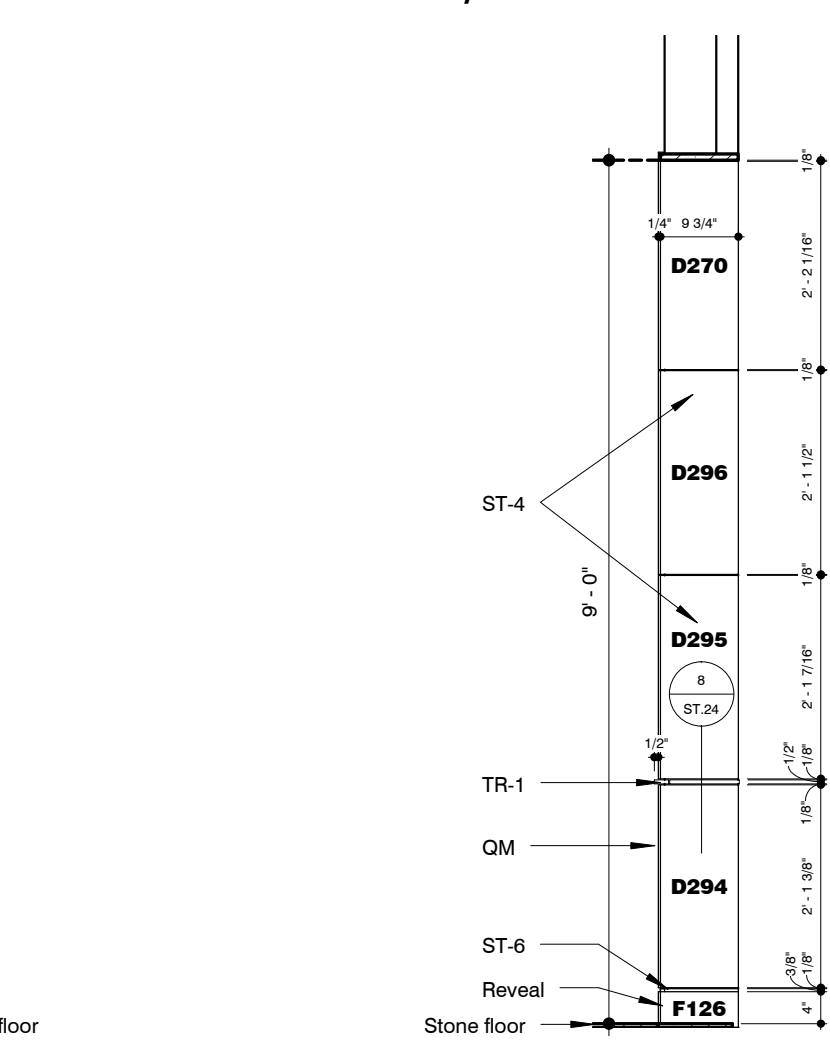
12 Elevator Lobby 1/2" = 1'-0"
 13 Elevator Lobby 1/2" = 1'-0"



14 Elevator Lobby - Level 2 1/2" = 1'-0"



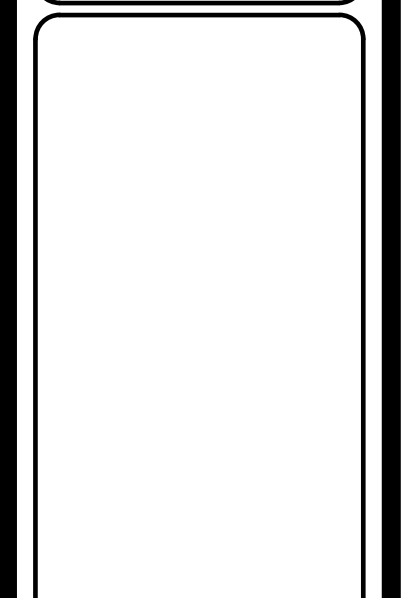
15 Elevator Lobby - Level 2 1/2" = 1'-0"
 16 Elevator Lobby - Level 2 1/2" = 1'-0"



17 Elevator Lobby - Level 2 1/2" = 1'-0"

Note: See sheet ST.1 for stone type legend

Revisions	

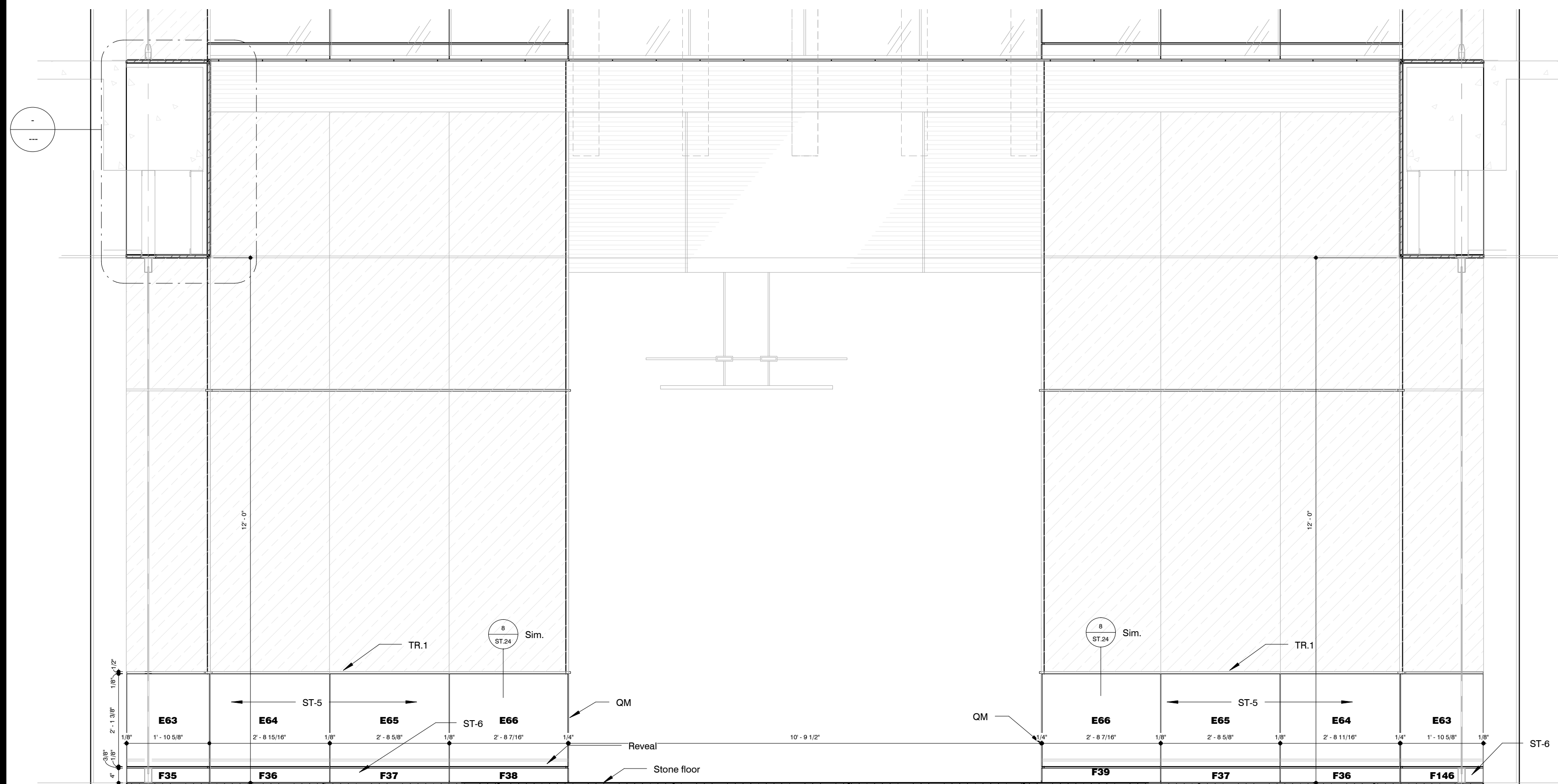


Stone Project Example
 6250 Westpark Suite 218 Houston Texas 77057

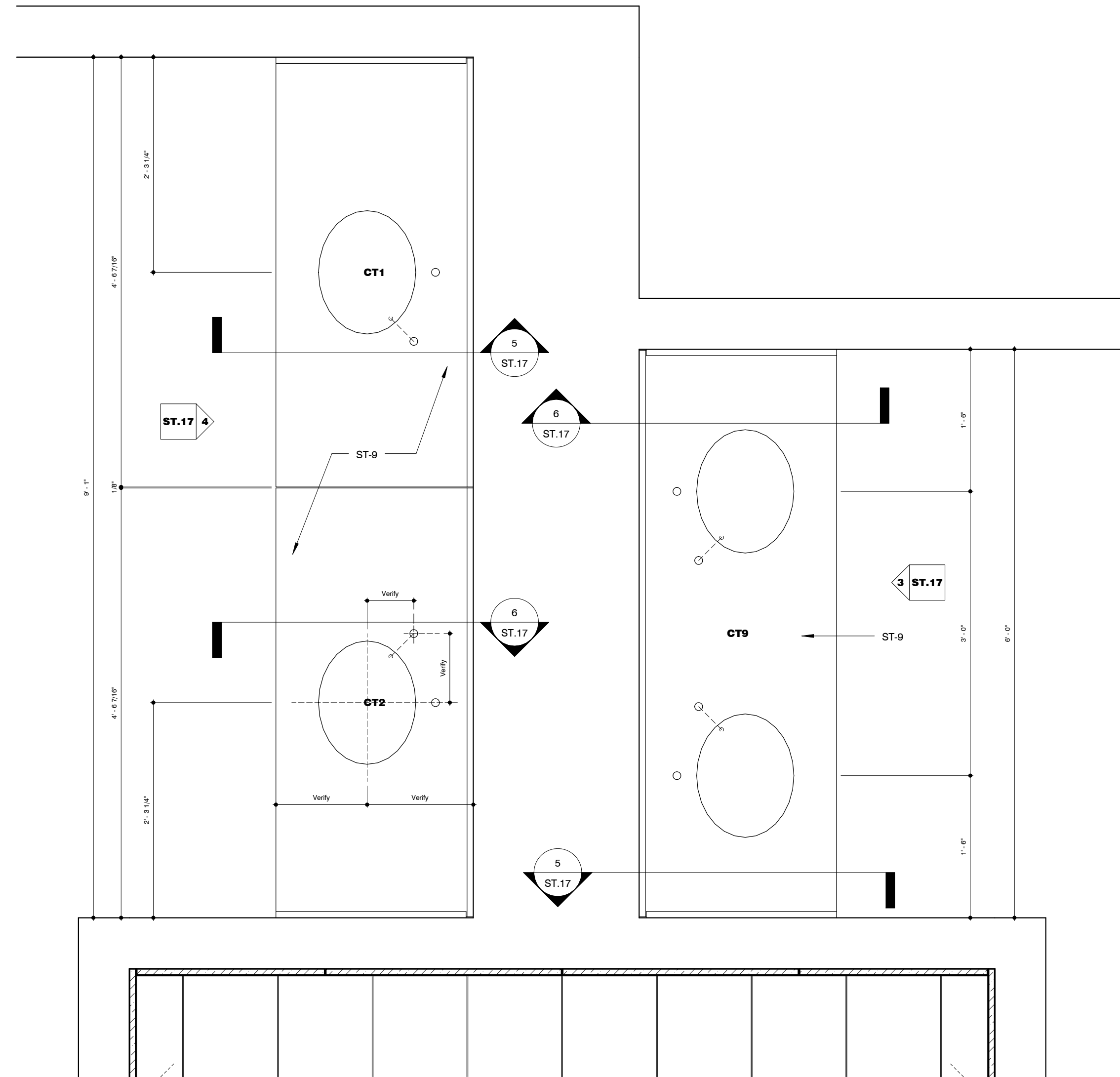
Elevations/Plans

Sheet No.
ST.16

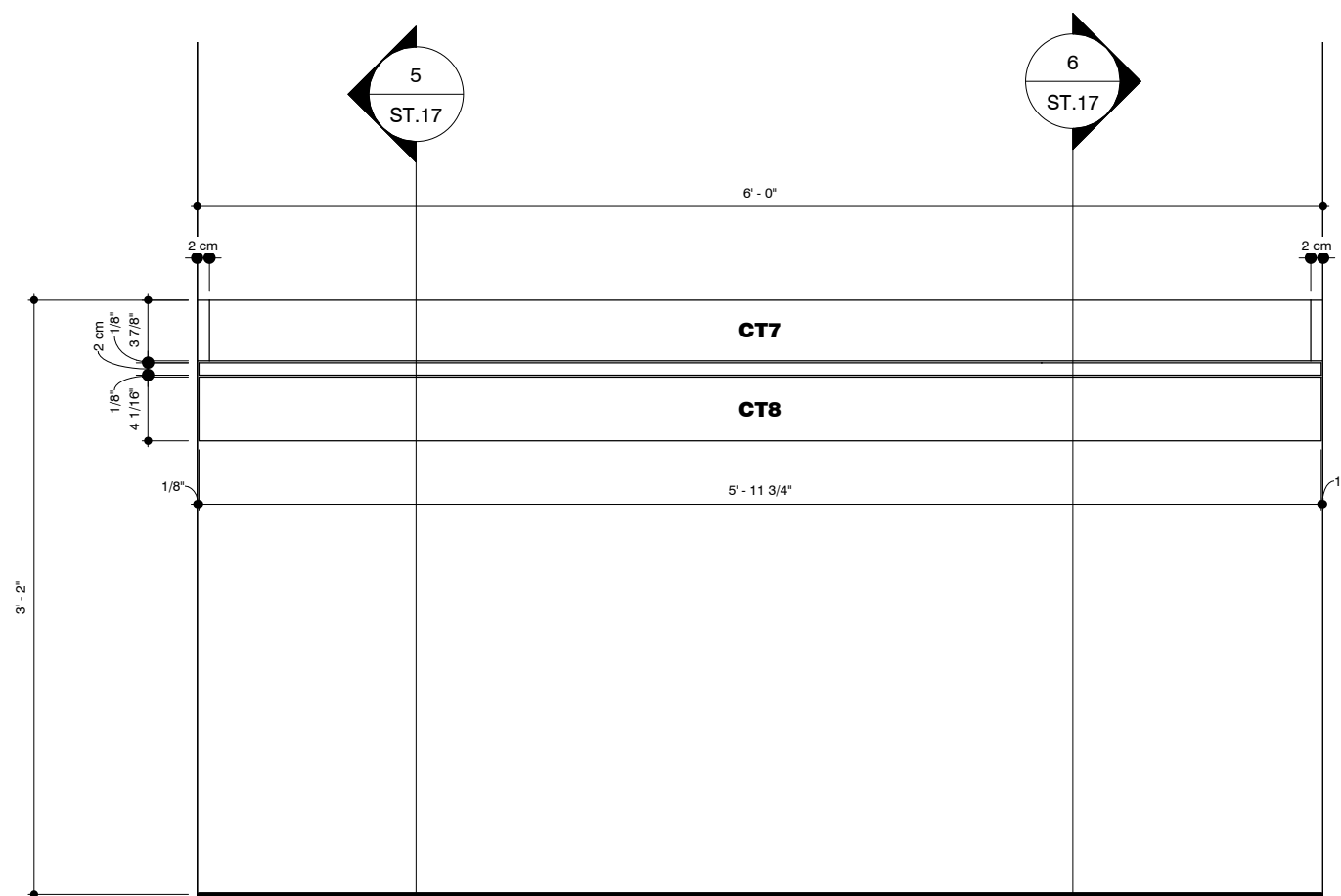
Job No.
Date
9/17/2010
5:01:48 PM



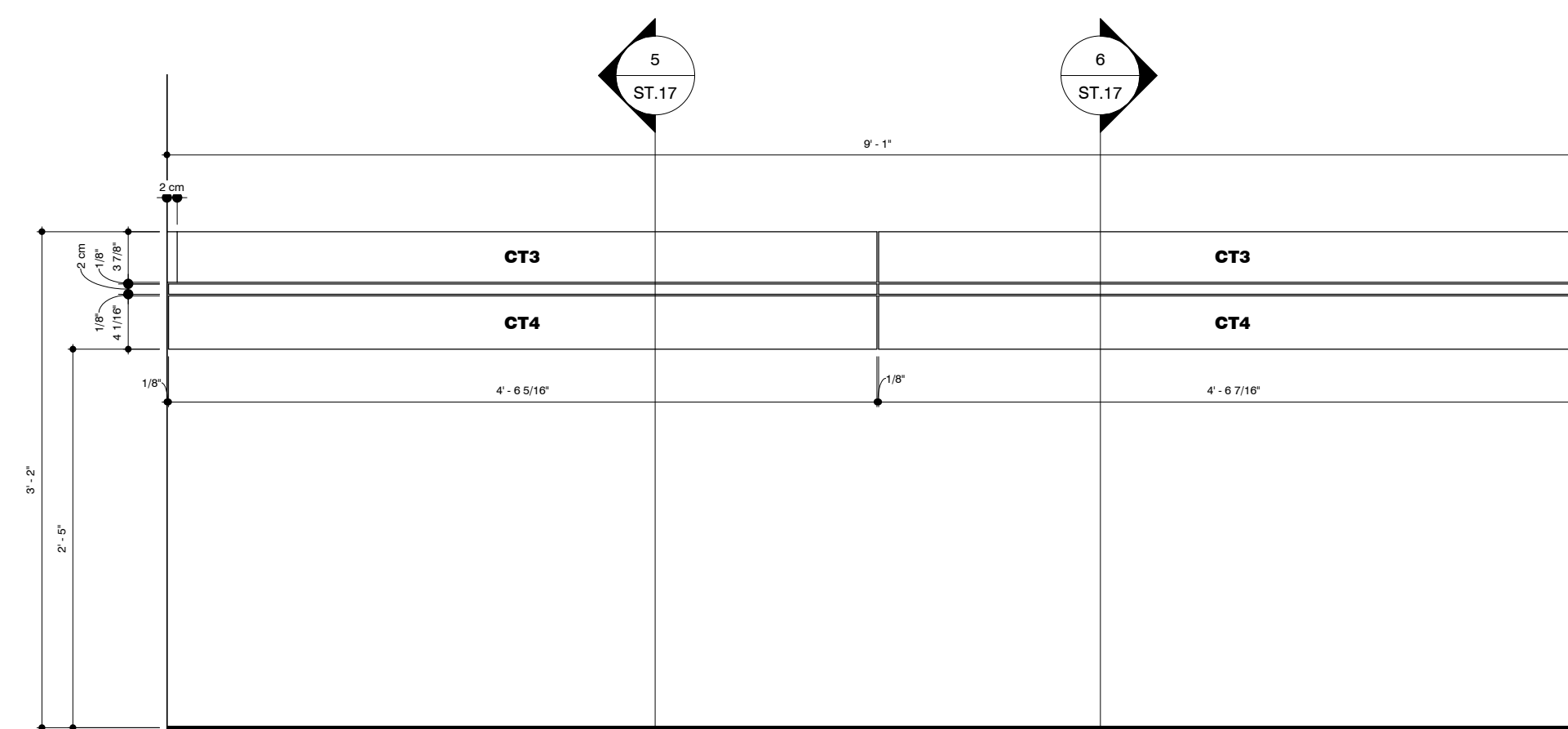
1 North Lobby
1/2" = 1'-0"



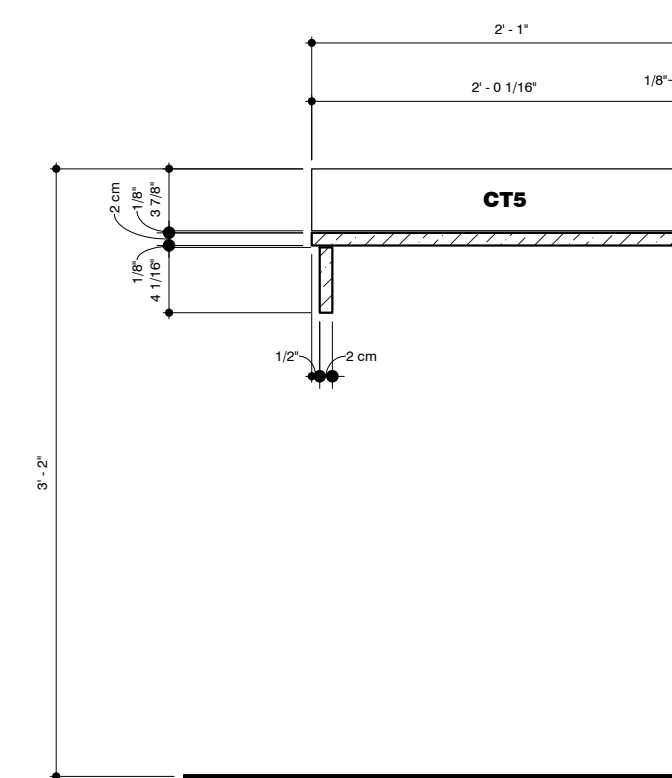
2 Men/Women
1" = 1'-0"



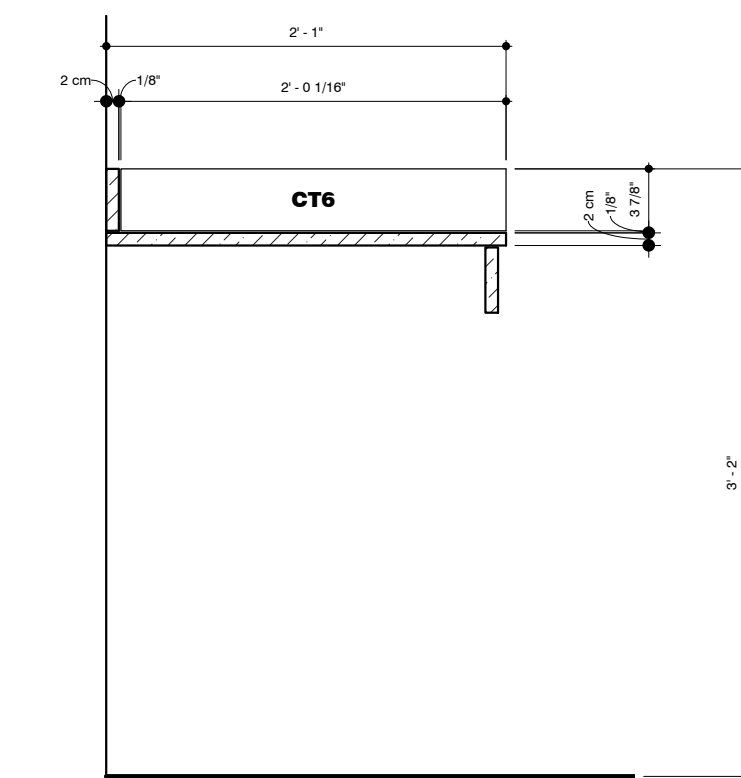
3 Men
1" = 1'-0"



4 Women
1" = 1'-0"



5 Counter Top
1" = 1'-0"



6 Counter Top
1" = 1'-0"

Note: See sheet ST.1 for stone type legend

Revisions

No.	Description

Stone Project Example

6250 Westpark Suite 218 Houston Texas 77057

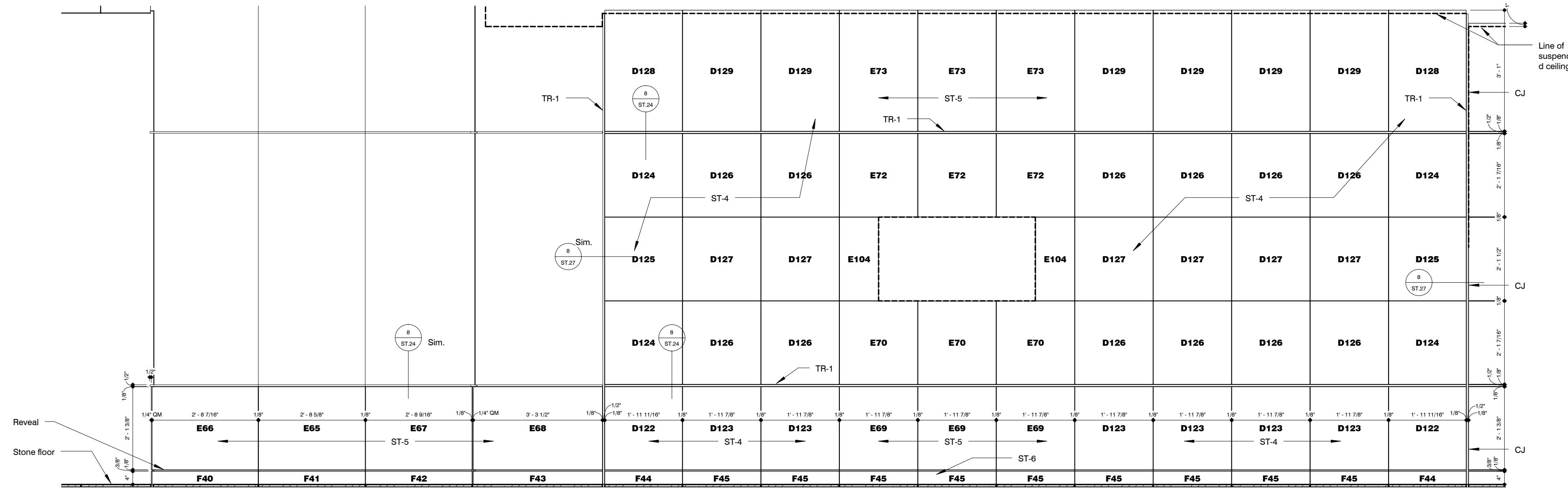
Elevations/Plans

Sheet No.

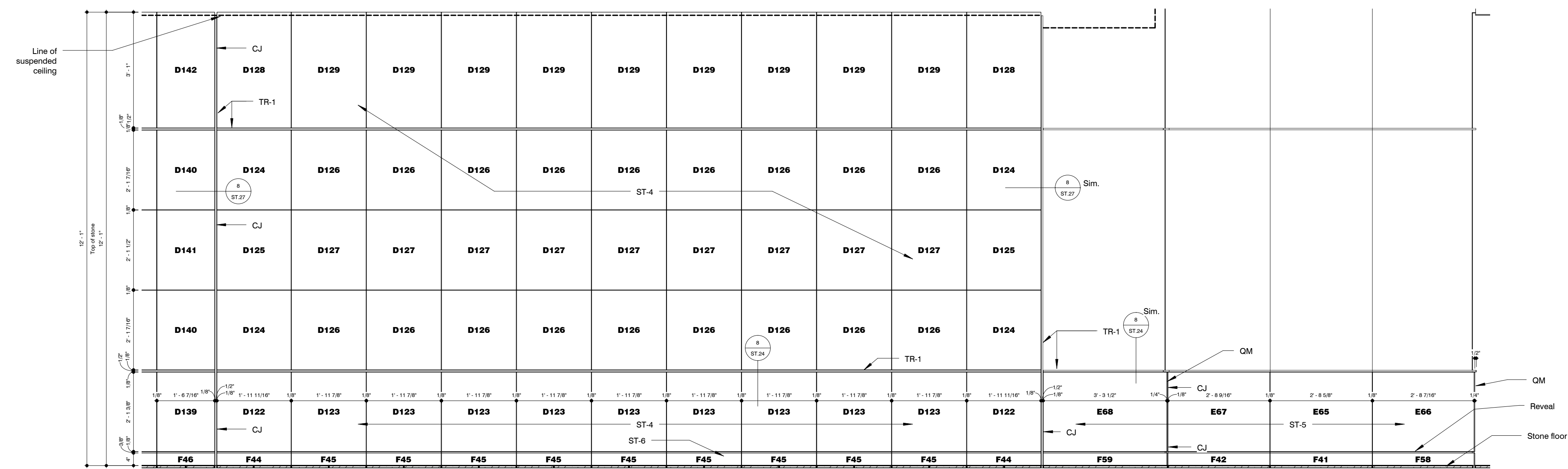
ST.17

Job No.

Date
9/17/2010
5:01:49 PM



1 Elevator Lobby - Level 1
1/2" = 1'-0"



2 Elevator Lobby - Level 1
1/2" = 1'-0"

Revisions

Stone Project Example

6250 Westpark Suite 218 Houston Texas 77057

Elevations

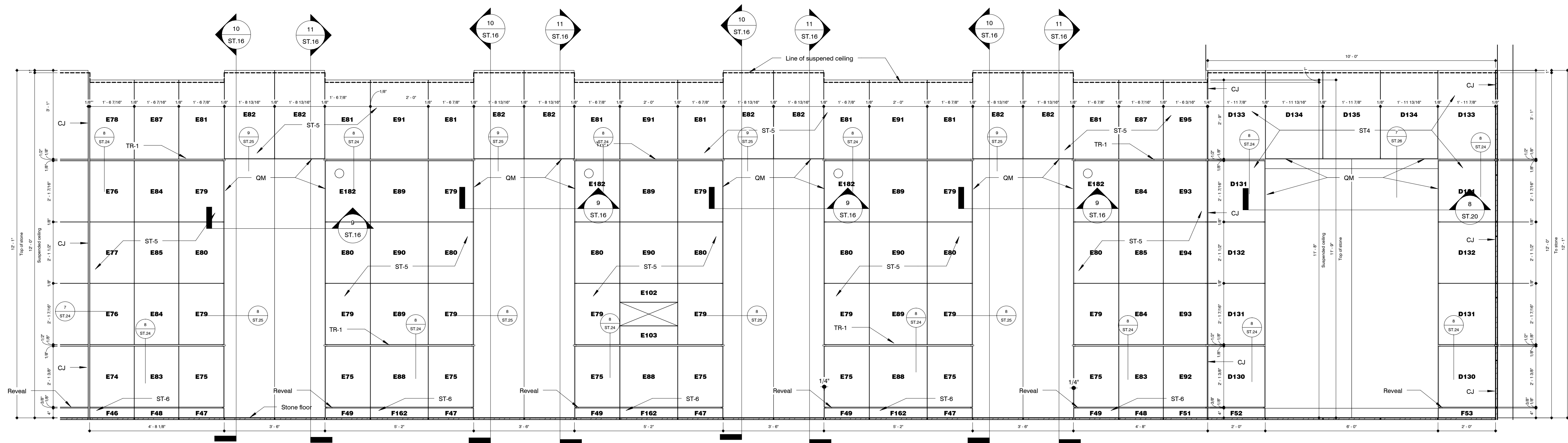
Sheet No.

ST.18

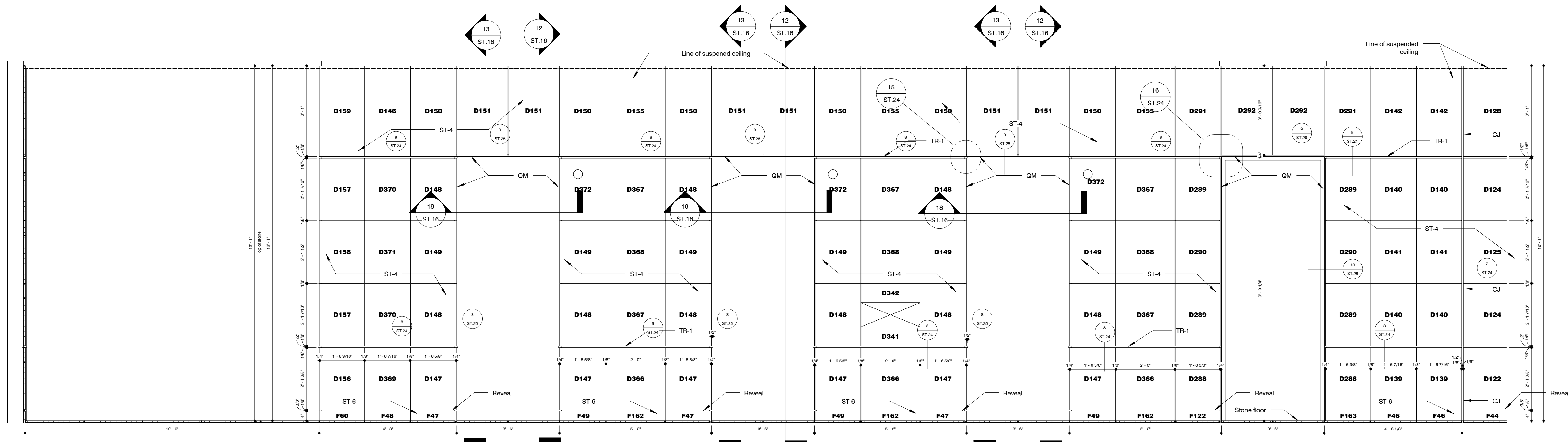
Job No.

Date
 9/17/2010
 5:01:50 PM

Note: See sheet ST.1 for stone type legend



1 Elevator Lobby - Level 1
 1/2" = 1'-0"



2 Elevator Lobby - Level 1
 1/2" = 1'-0"

Revisions

No.	Description

Stone Project Example

6250 Westpark Suite 218 Houston Texas 77057

Elevations

Sheet No.

ST.19

Job No.

Date
 9/17/2010
 5:01:51 PM

Note: See sheet ST.1 for stone type legend

Revisions

Rev. No.	Description

Stone Project Example

6250 Westpark Suite 218 Houston Texas 77057

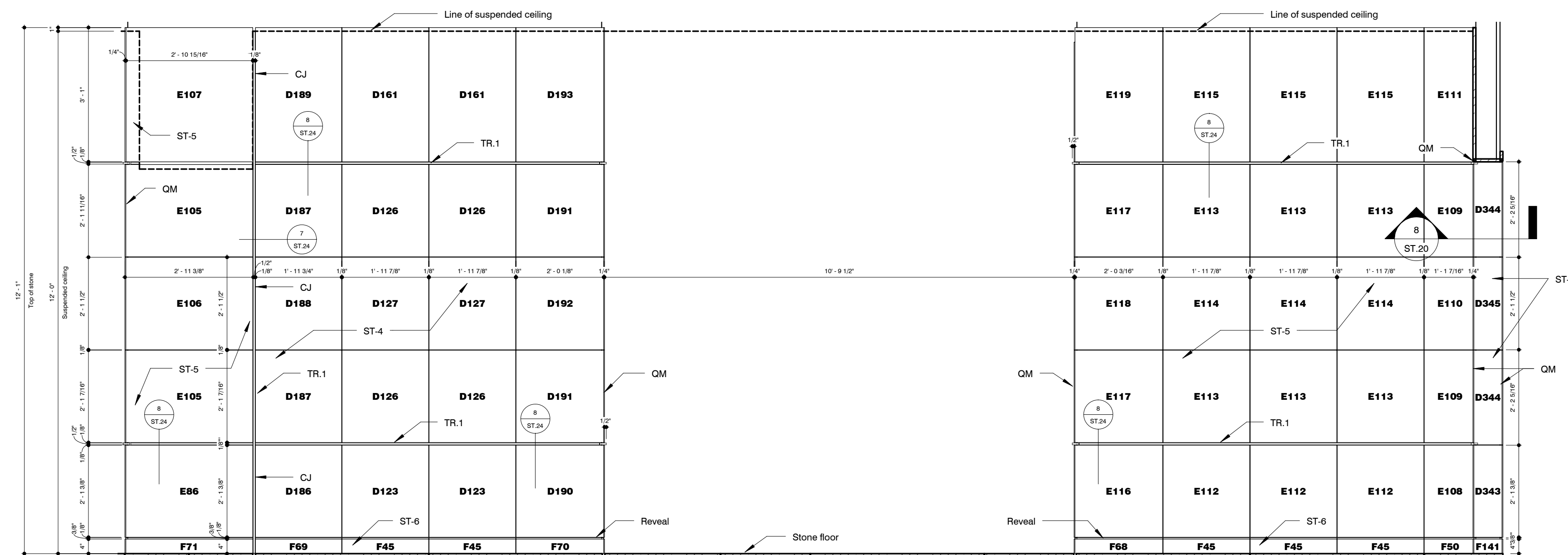
Elevations/Plans

Sheet No.

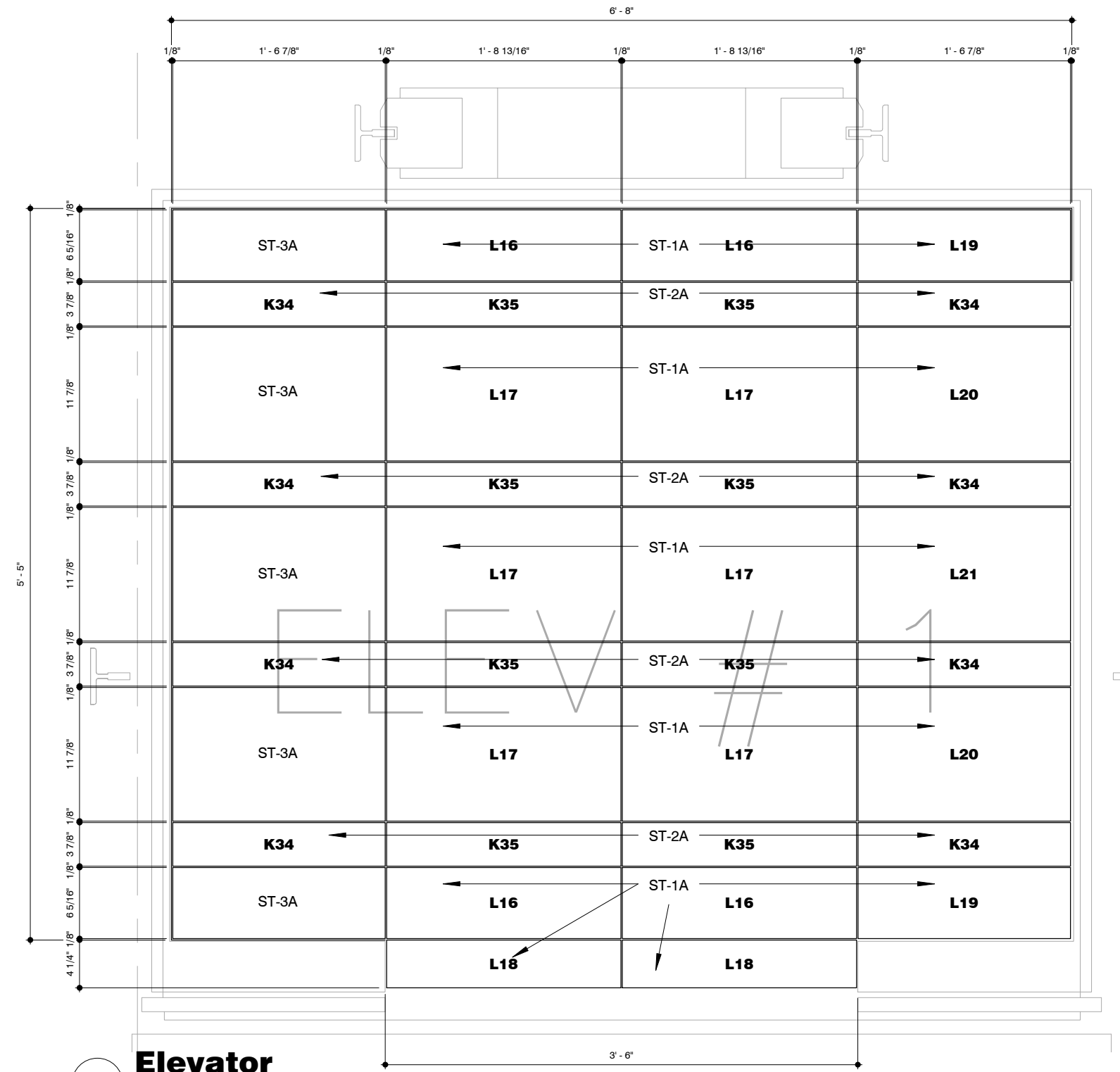
ST.21

Job No.

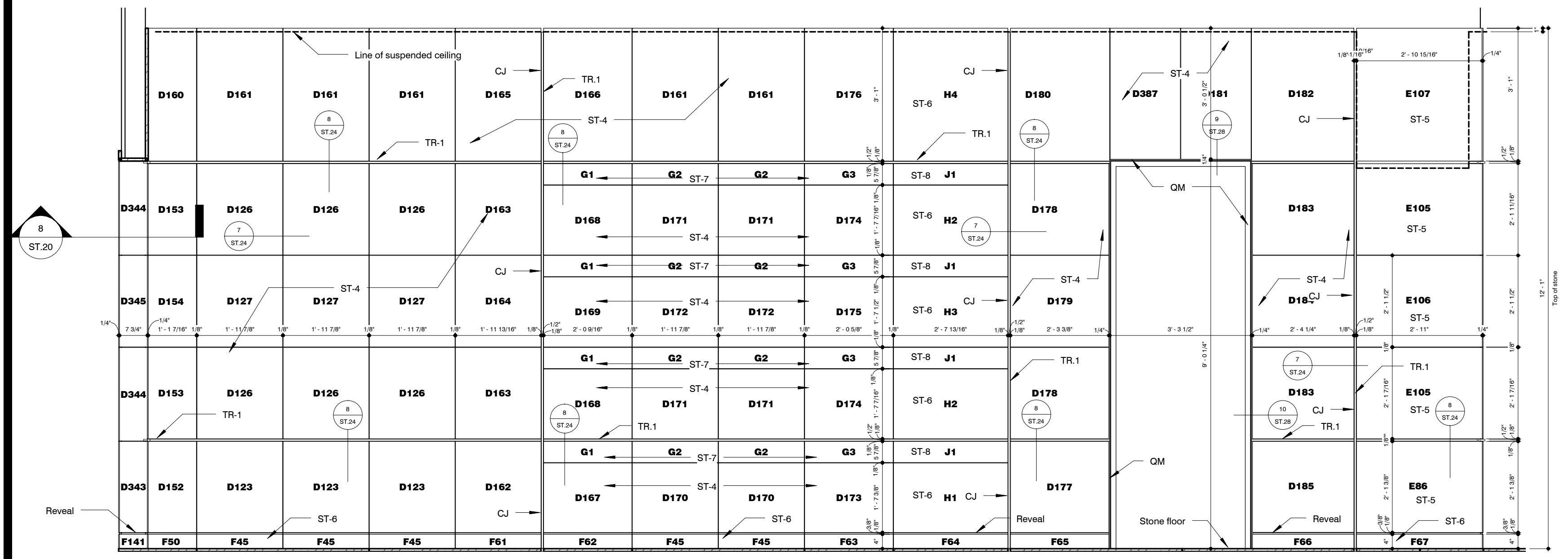
Date
9/17/2010
5:01:54 PM



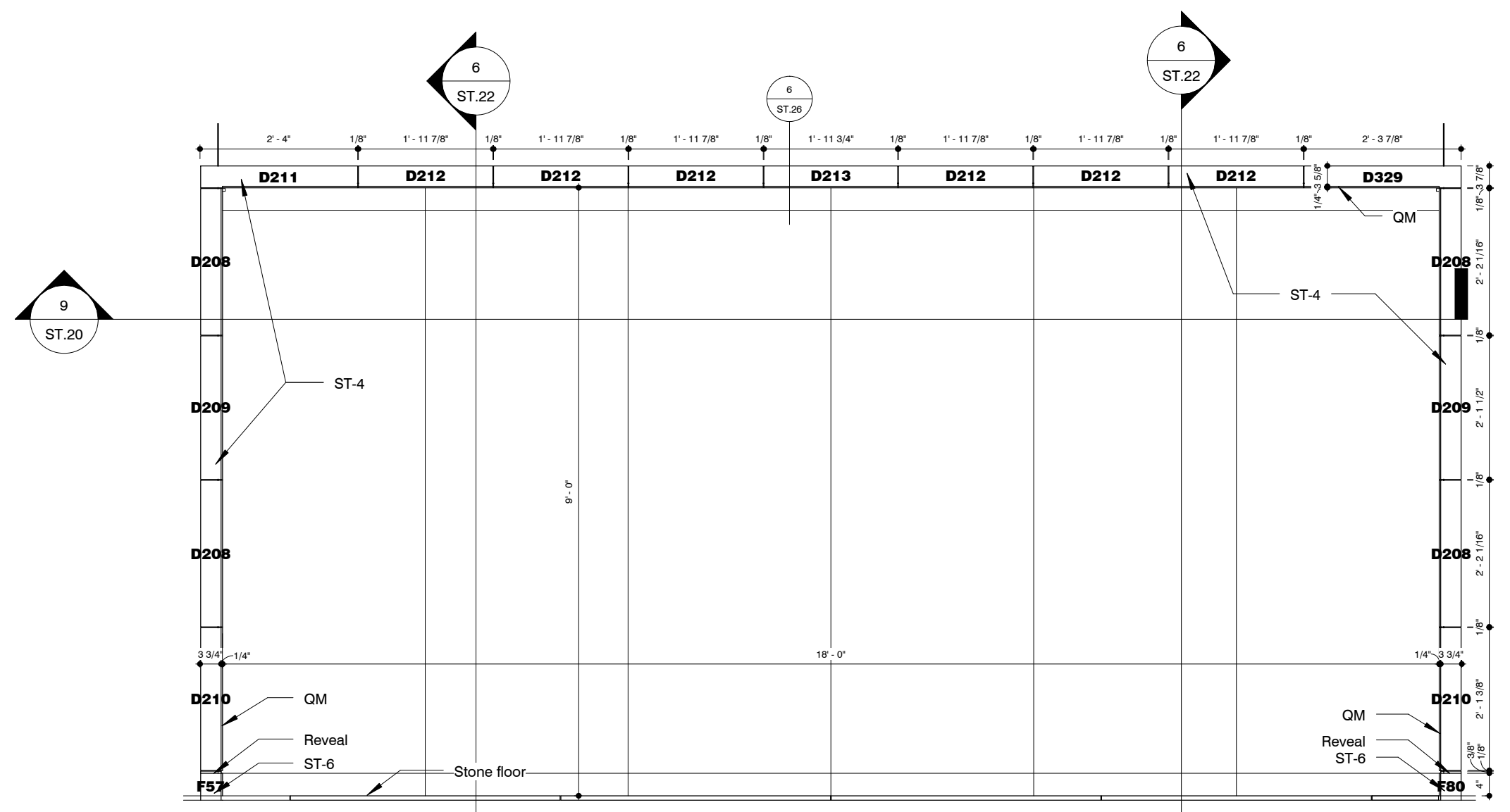
1 Elevator Lobby
1/2" = 1'-0"



4 Elevator
1" = 1'-0"

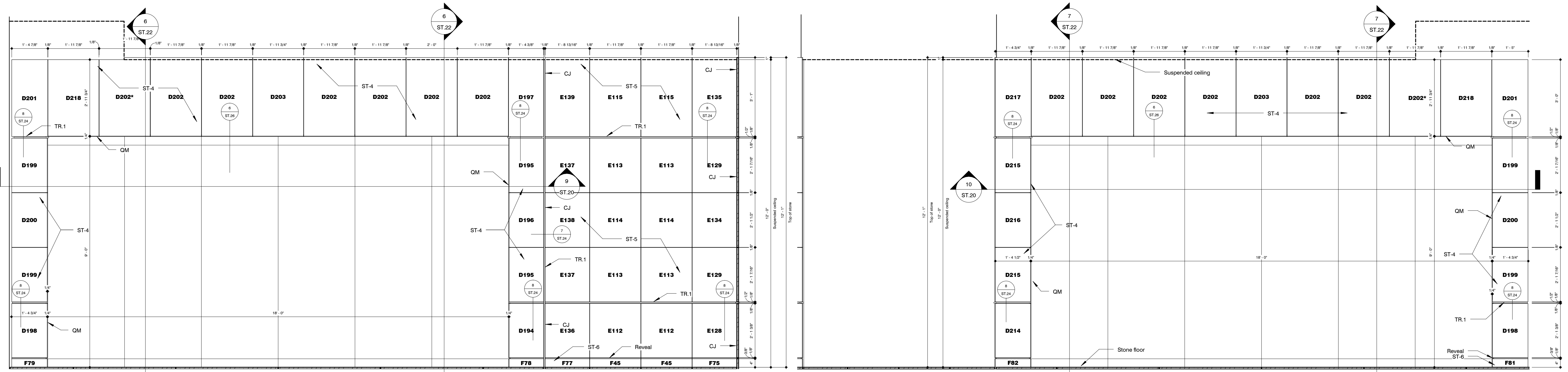


2 Elevator Lobby
1/2" = 1'-0"

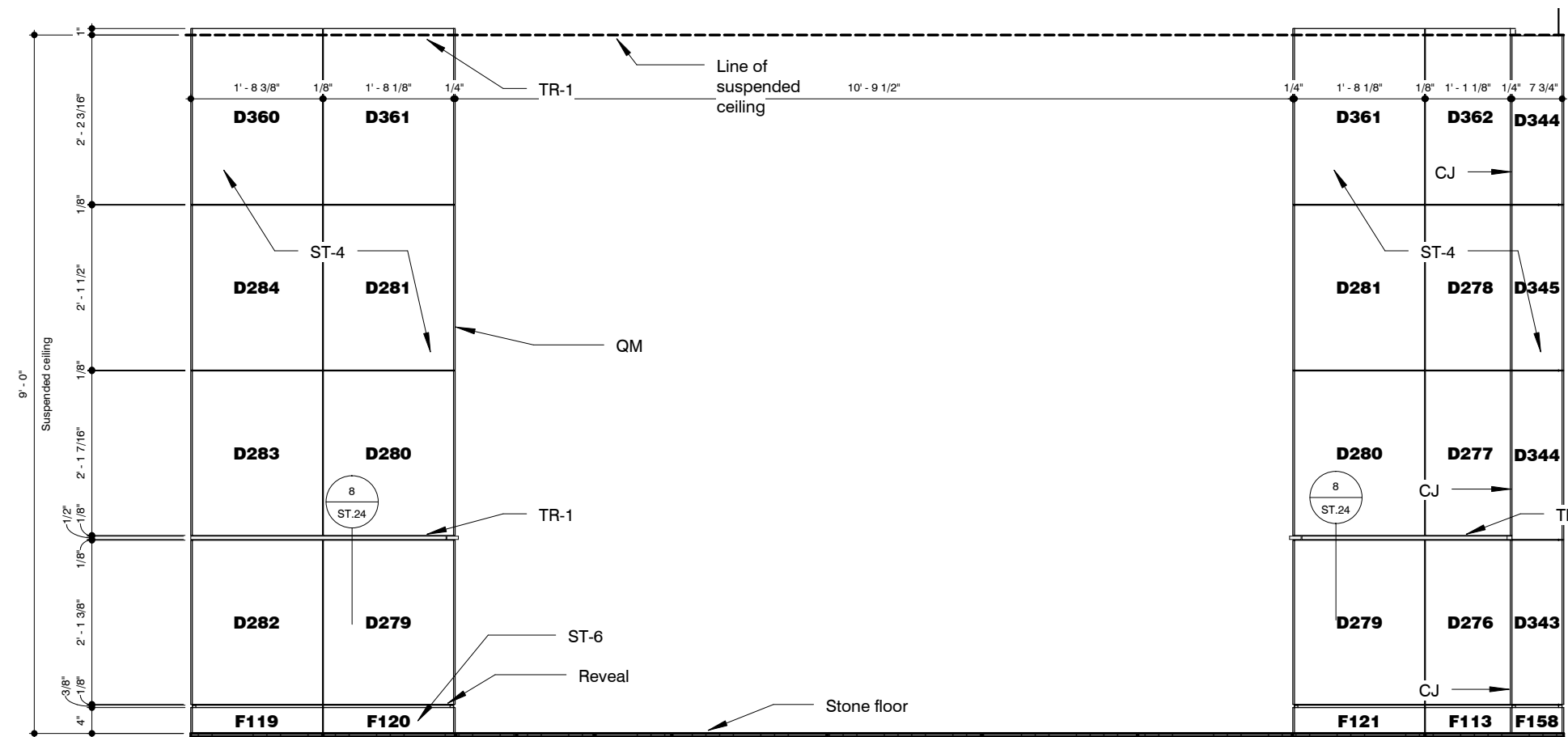


3 West Lobby Lease
1/2" = 1'-0"

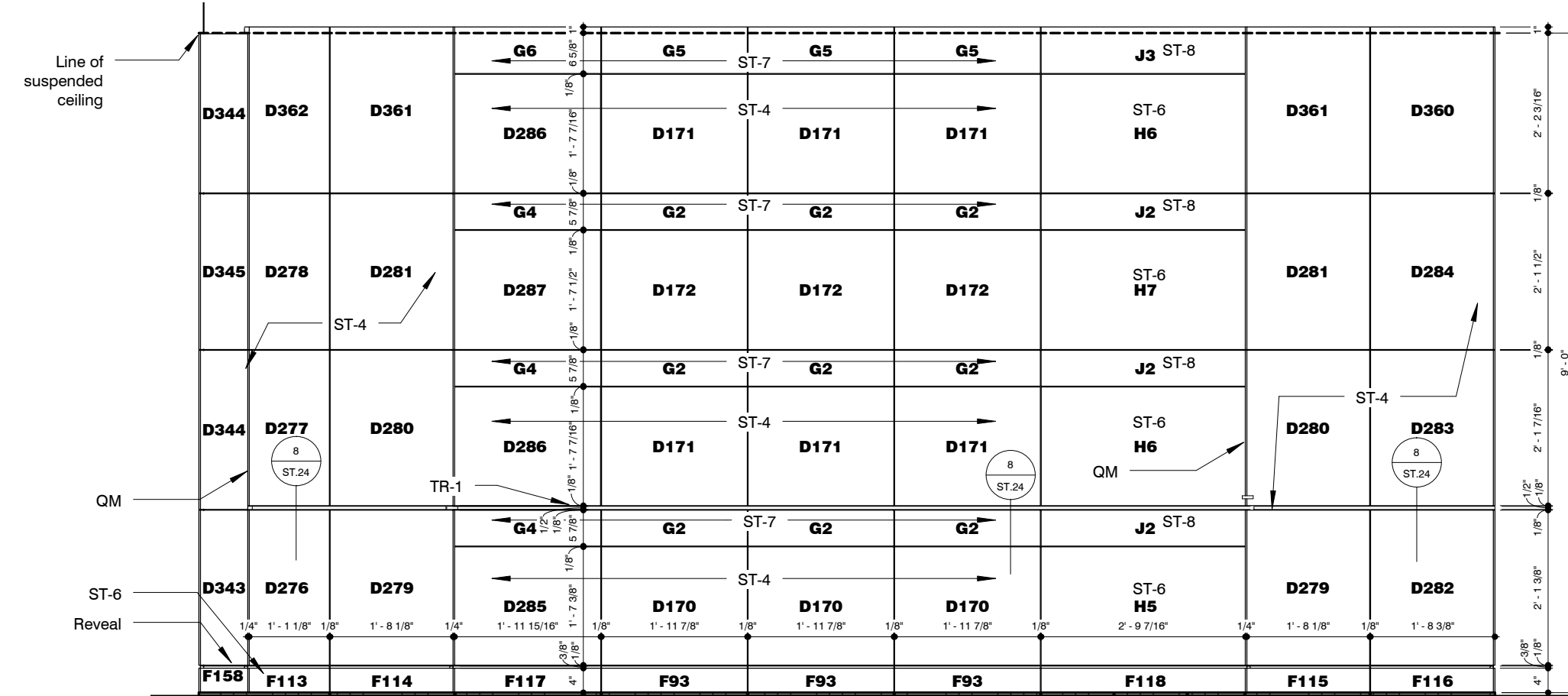
Note: See sheet ST.1 for stone type legend



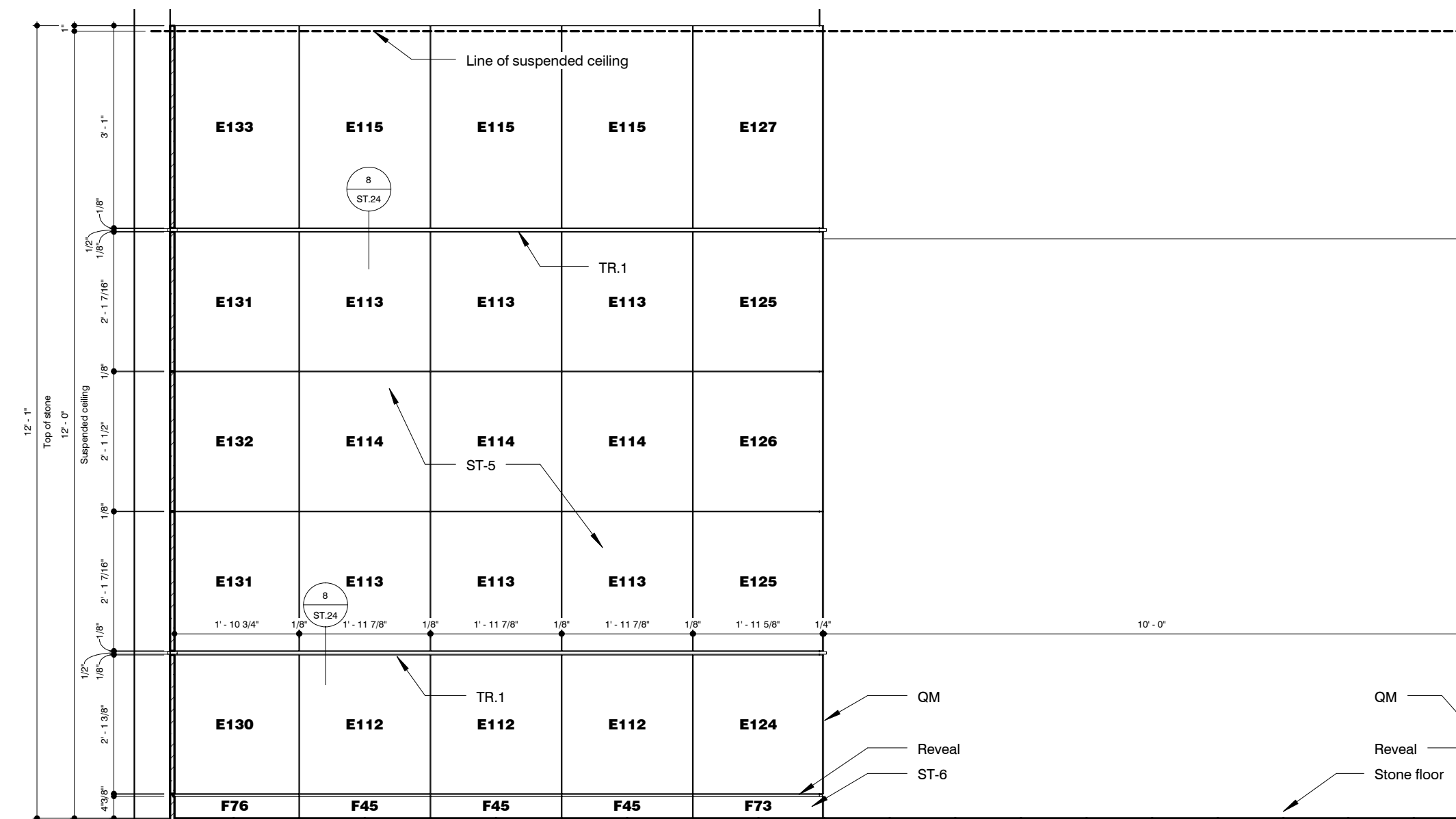
1 West Lobby
1/2" = 1'-0"



2 West Lobby
1/2" = 1'-0"

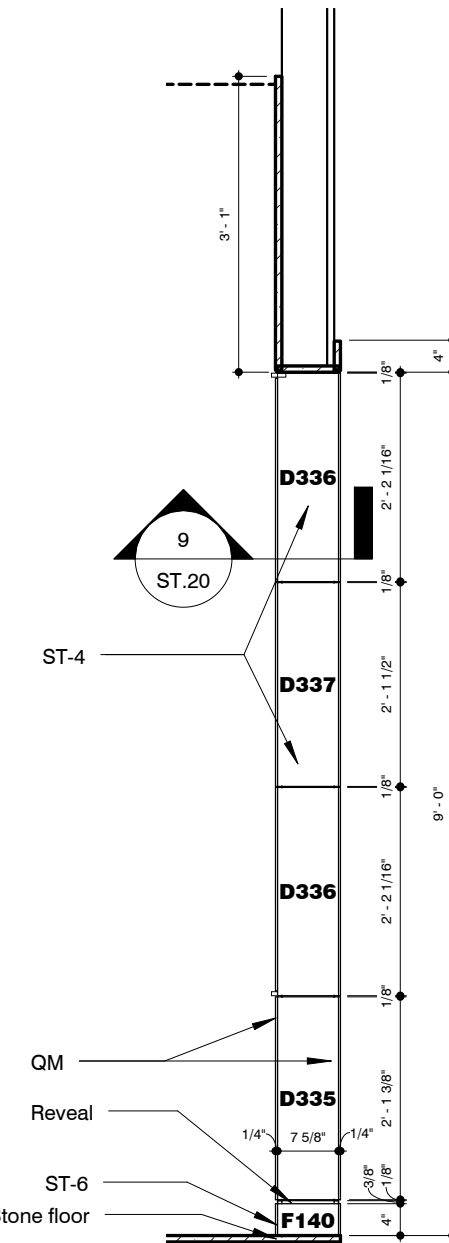
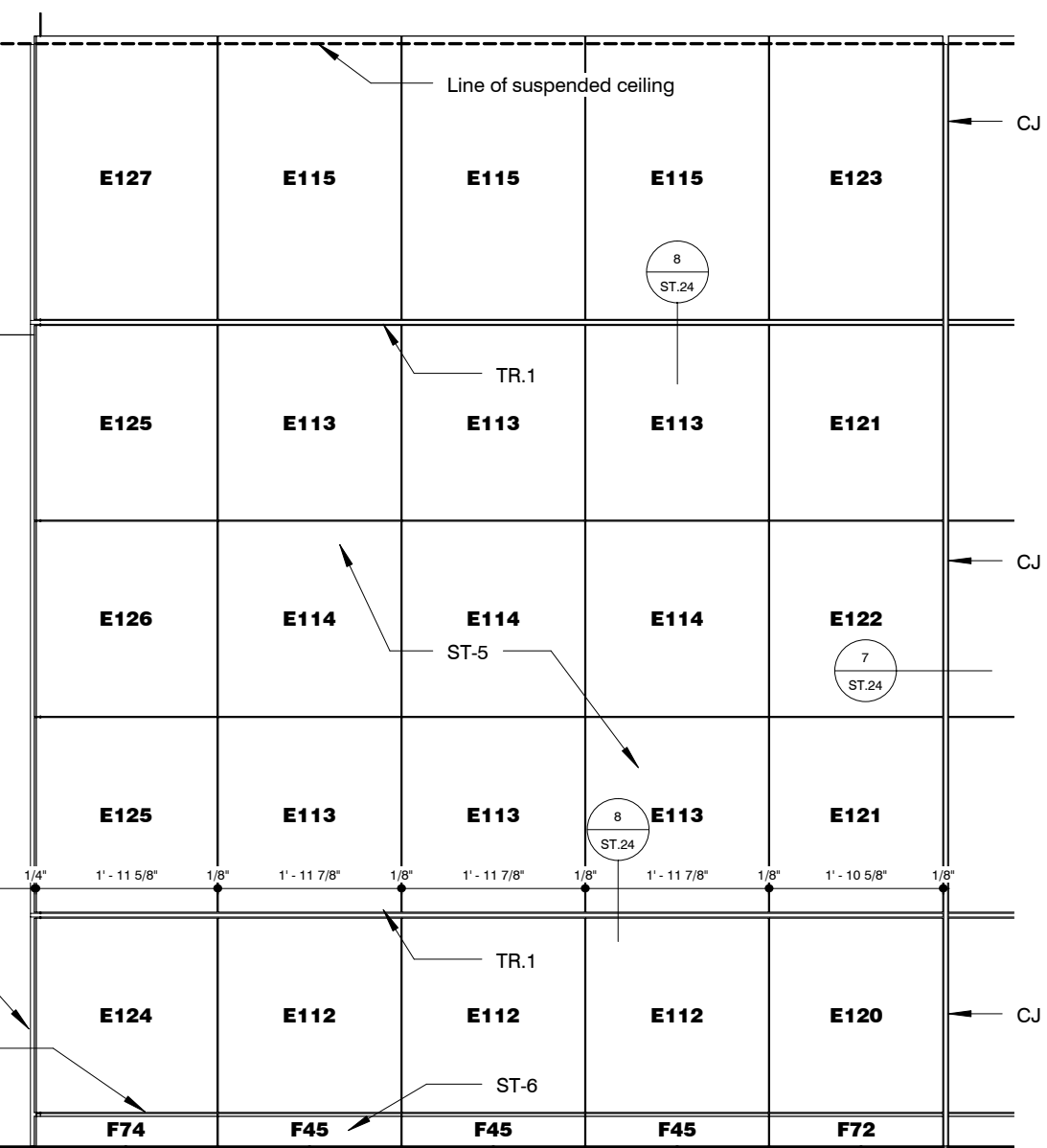


4 Elevator Lobby - Level 2
1/2" = 1'-0"

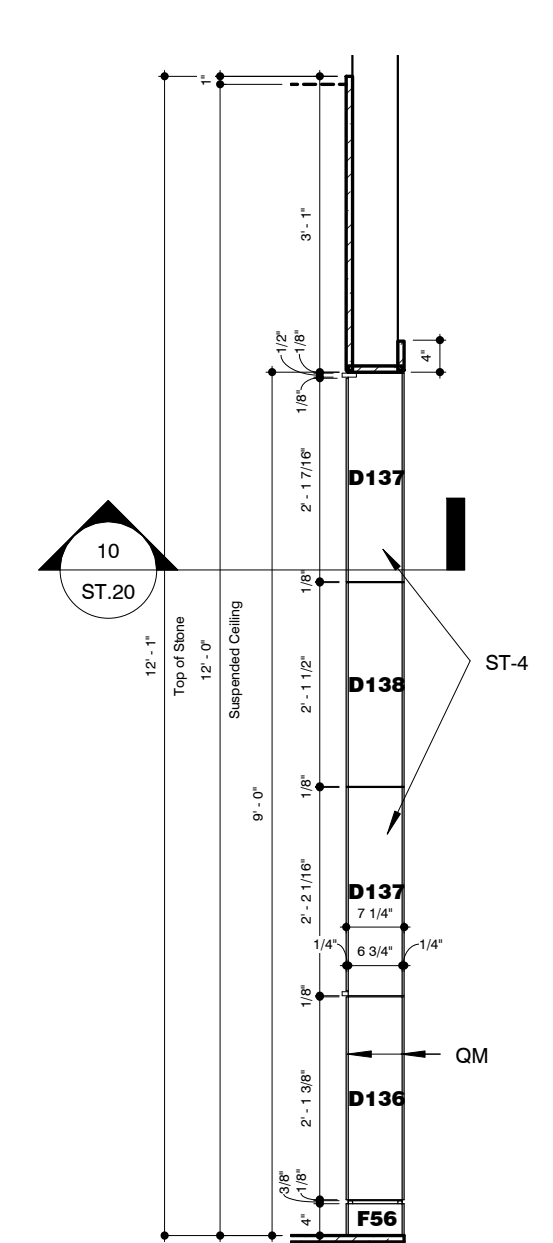


3 West Lobby
1/2" = 1'-0"

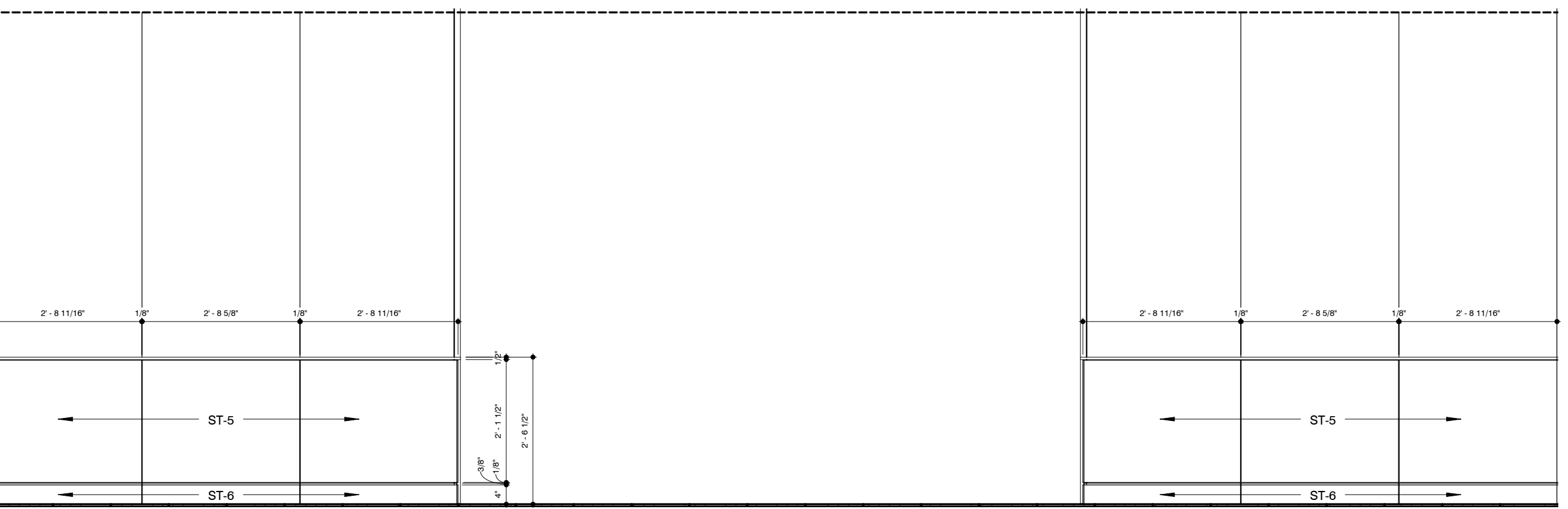
5 Elevator Lobby - Level 2
1/2" = 1'-0"



6 West Lobby
1/2" = 1'-0"



7 West Lobby
1/2" = 1'-0"



8 Balcony
1/2" = 1'-0"

Revisions

Stone Project Example
6250 Westpark Suite 218 Houston Texas 77057

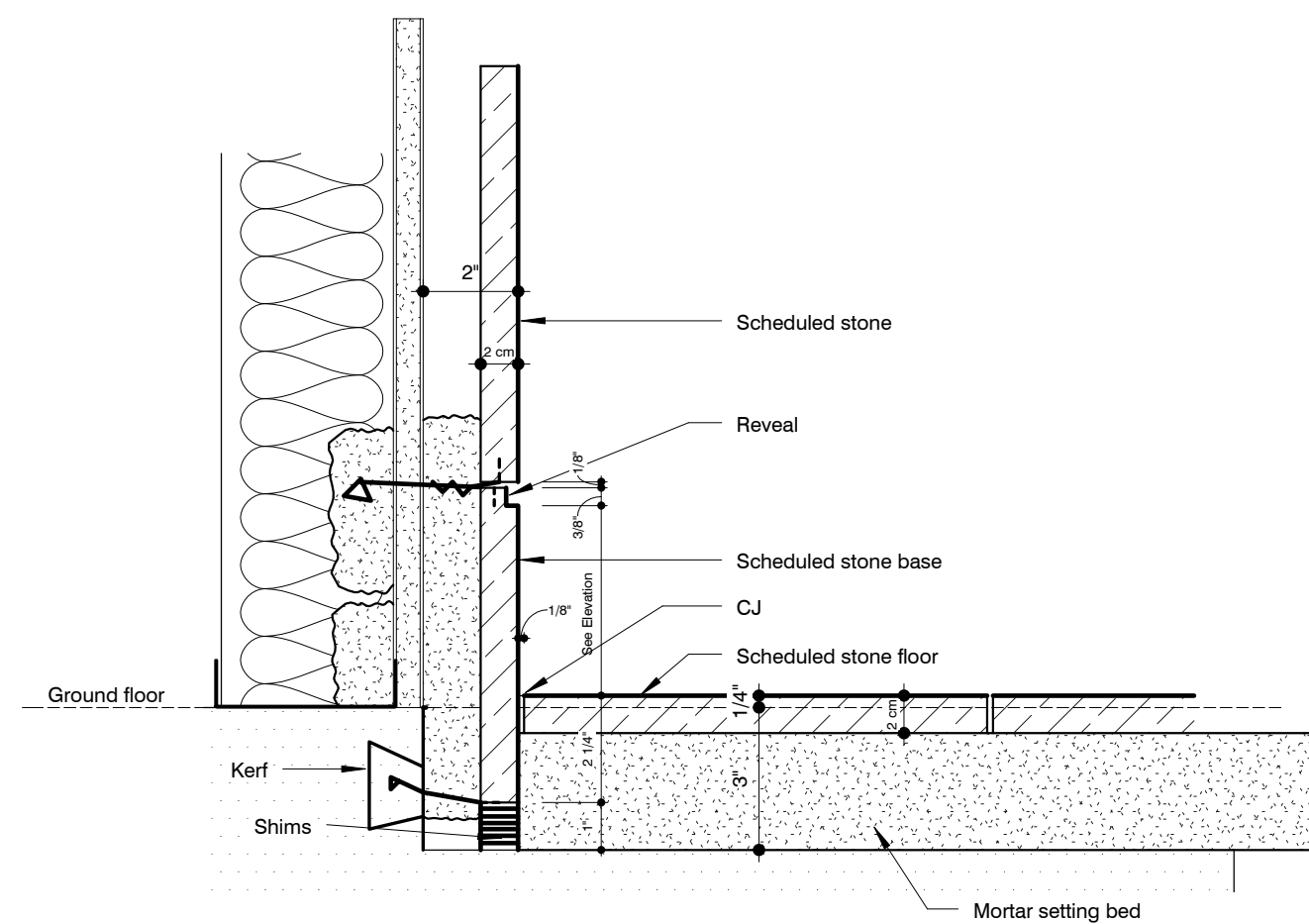
Elevations

Sheet No.
ST.22

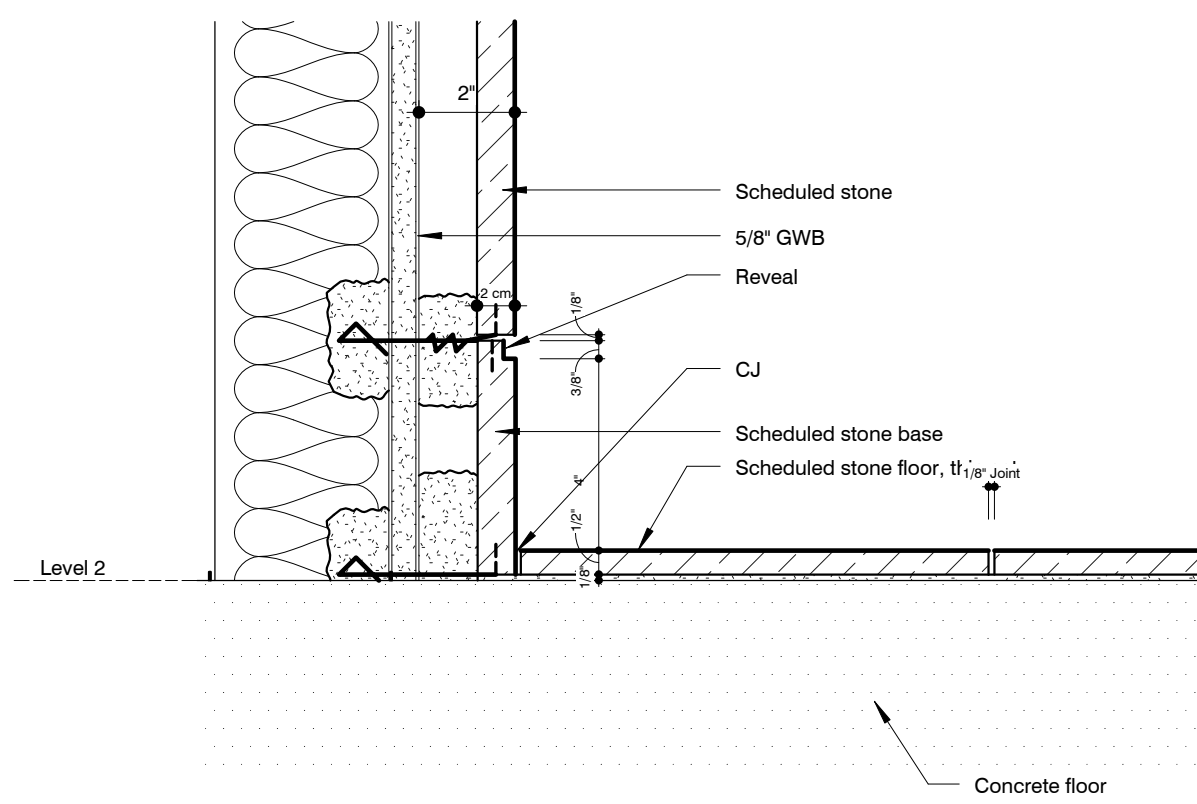
Job No.
Date
9/17/2010
5:01:55 PM

Note: See sheet ST.1 for stone type legend

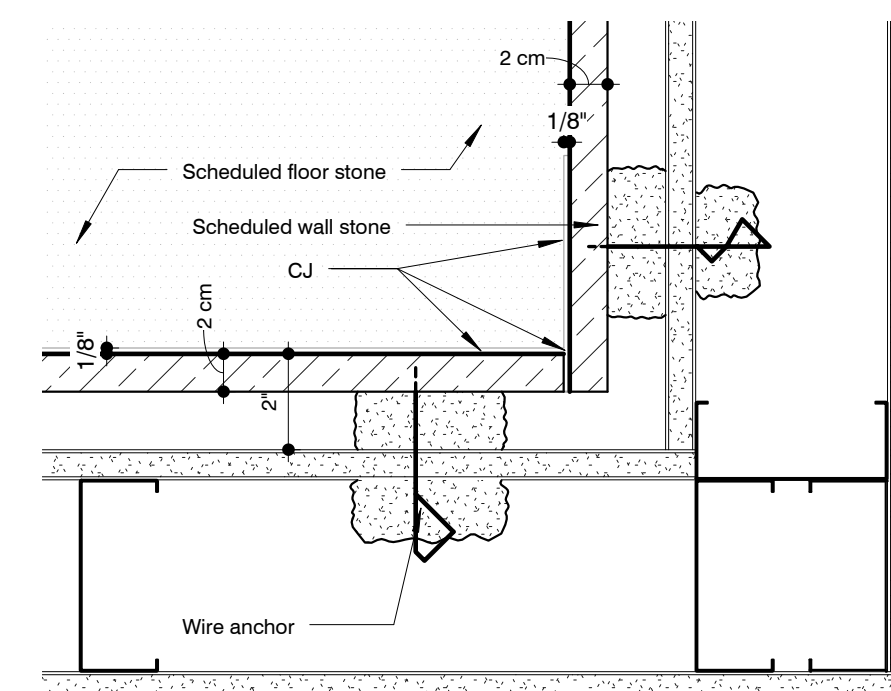
Revisions



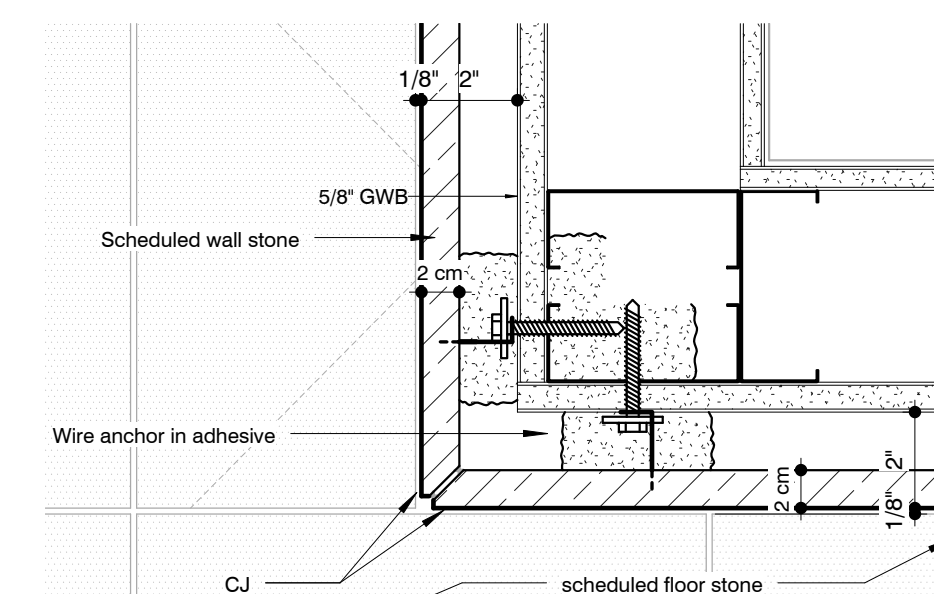
1 Typical Condition @ Garage Level/Level 1
3" = 1'-0"



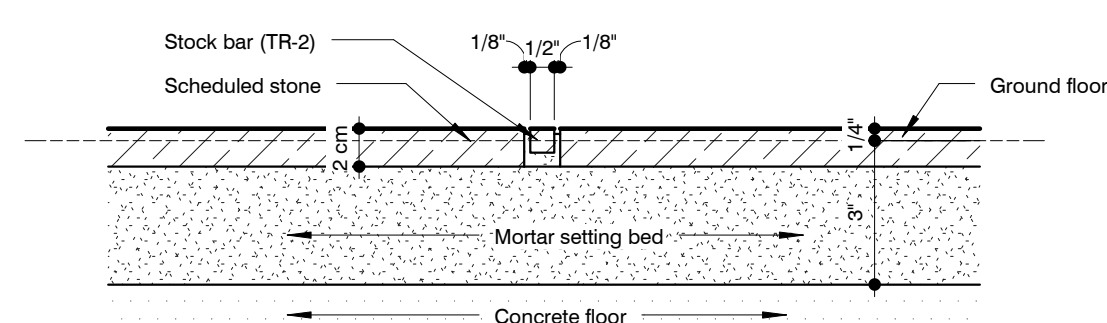
2 Typical Condition @ Level 2
3" = 1'-0"



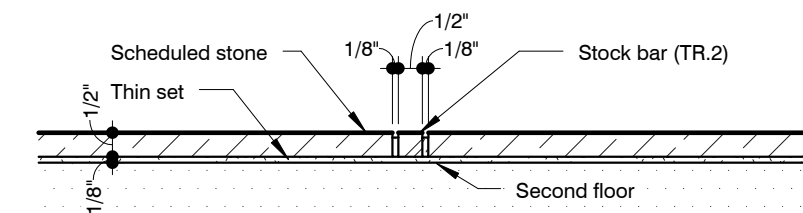
3 Corner Detail
3" = 1'-0"



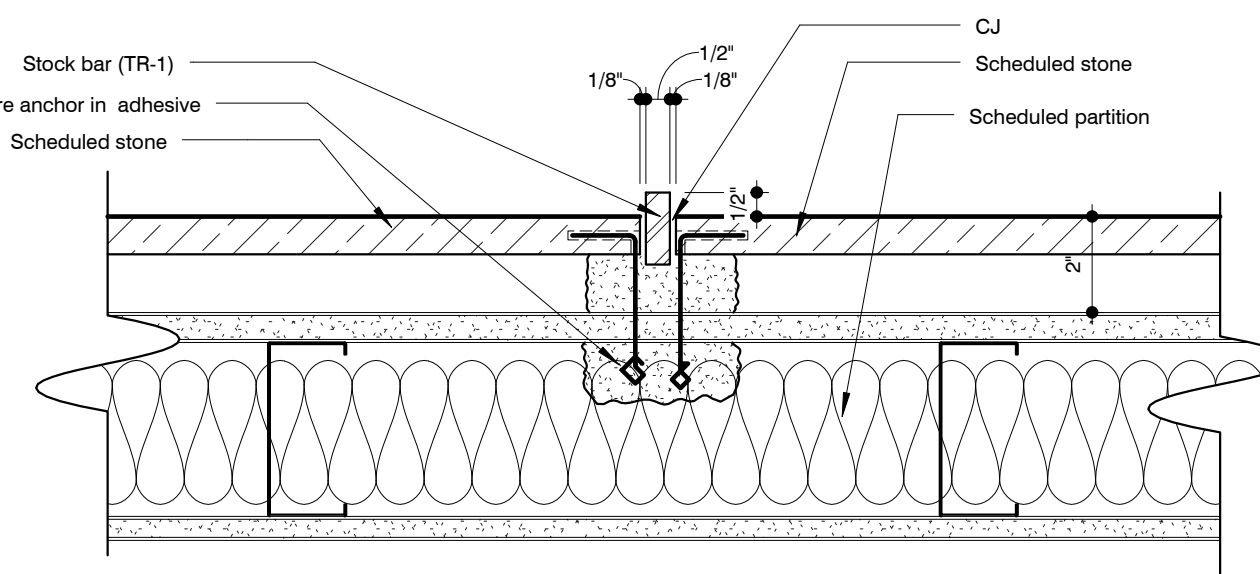
4 Corner Detail
3" = 1'-0"



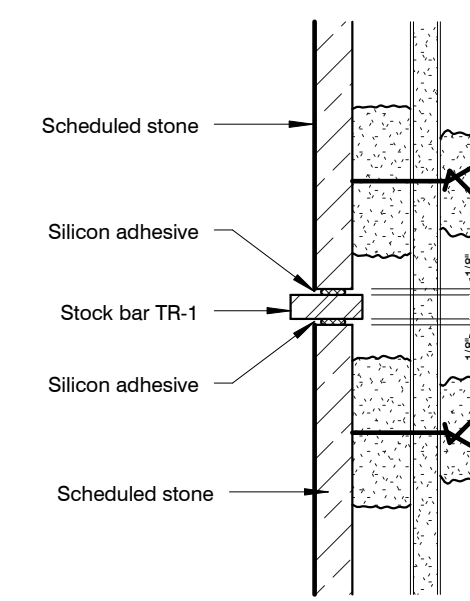
5 Stock Floor Bar @ Ground Floor
3" = 1'-0"



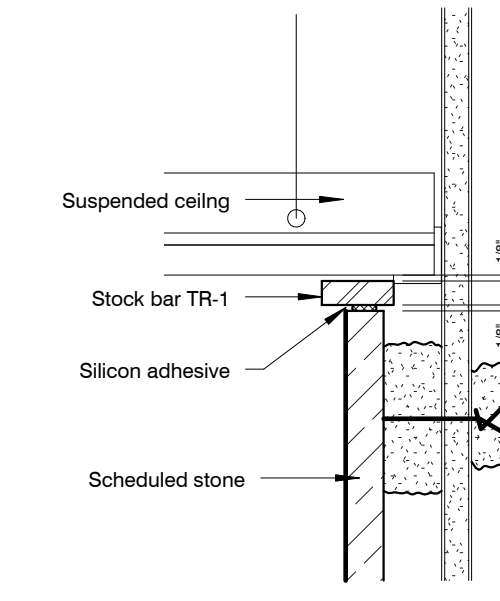
6 Stock Floor Bar @ 2nd Floor
3" = 1'-0"



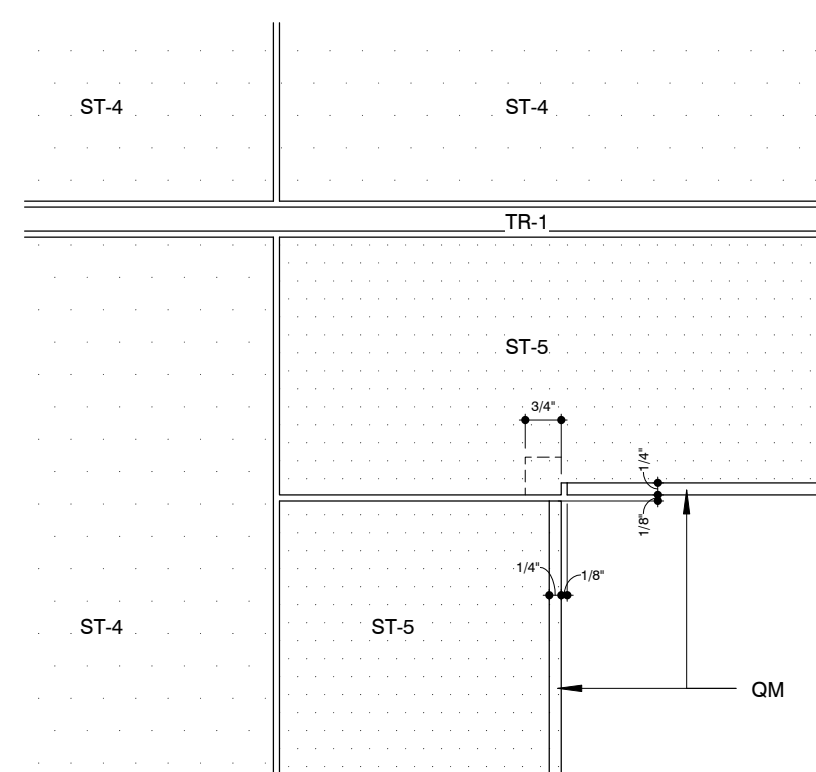
7 Stock Bar @ Wall
3" = 1'-0"



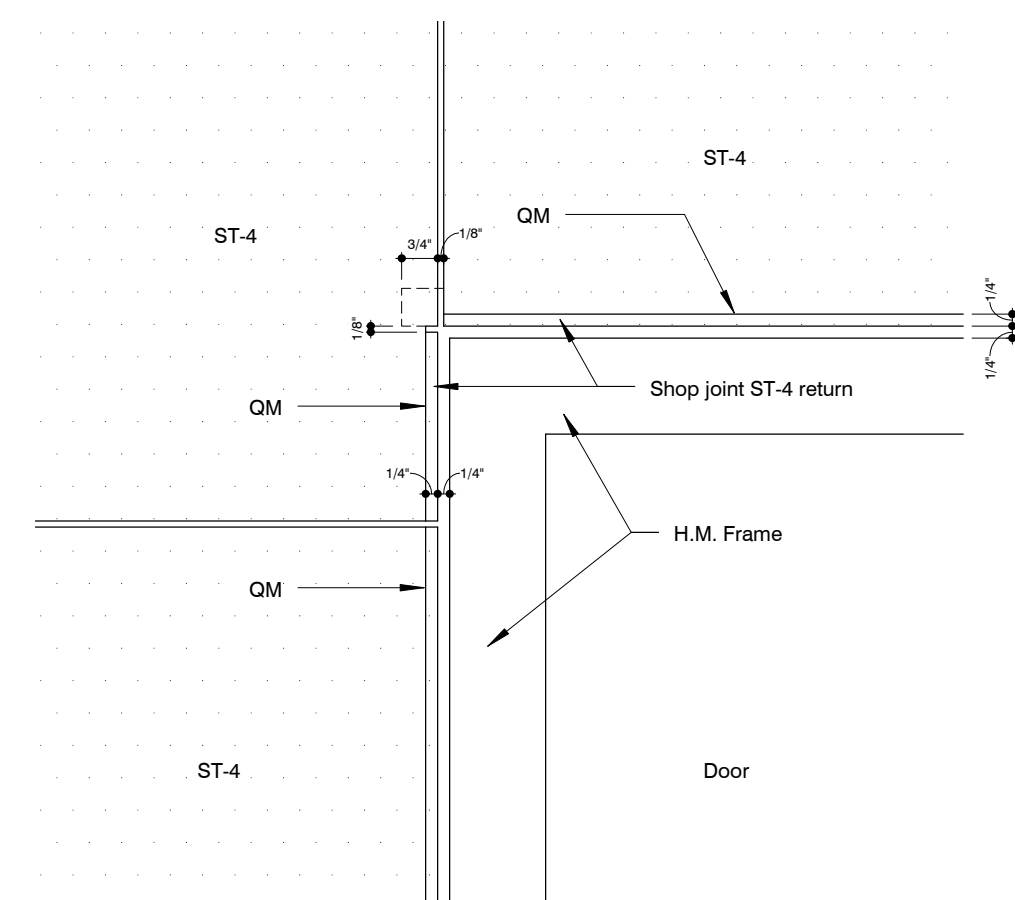
8 Stock Bar @ Wall
3" = 1'-0"



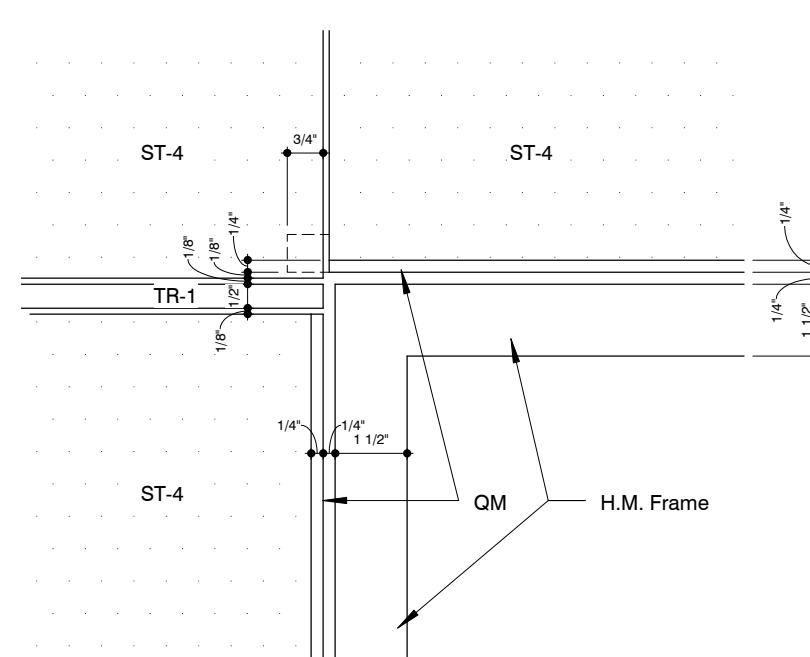
9 Stock Bar @ Wall
3" = 1'-0"



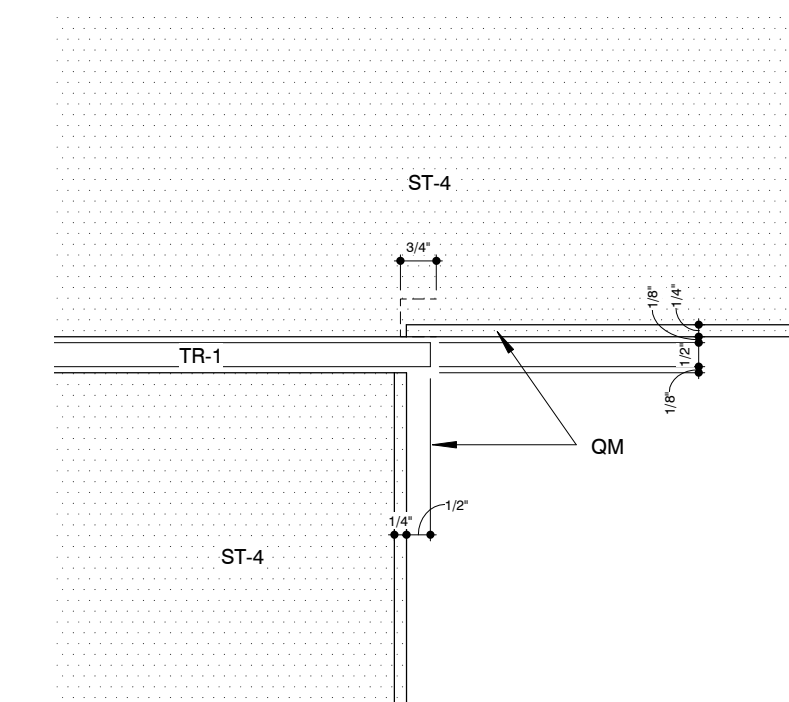
9 Detail
3" = 1'-0"



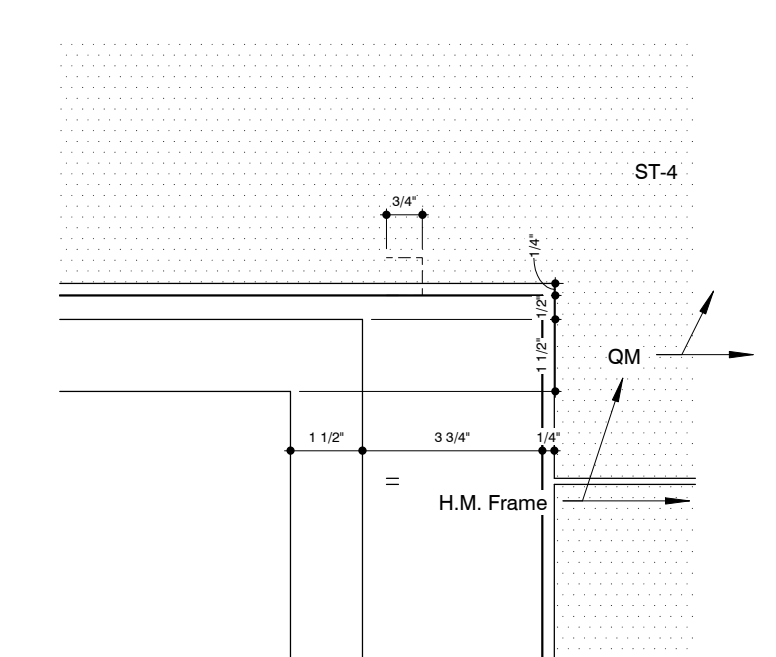
10 Detail
3" = 1'-0"



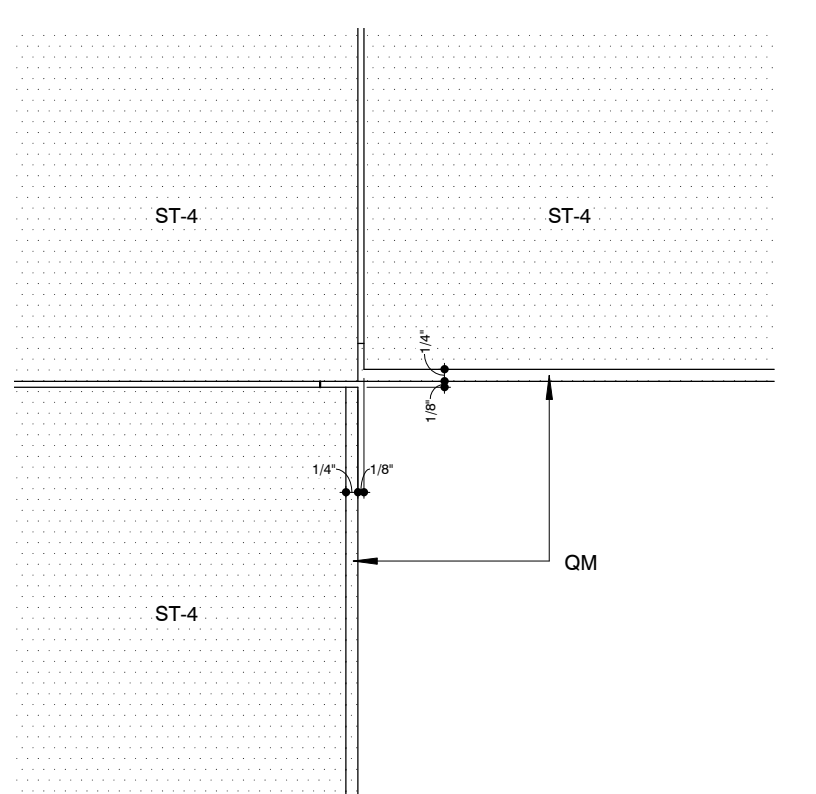
11 Detail
3" = 1'-0"



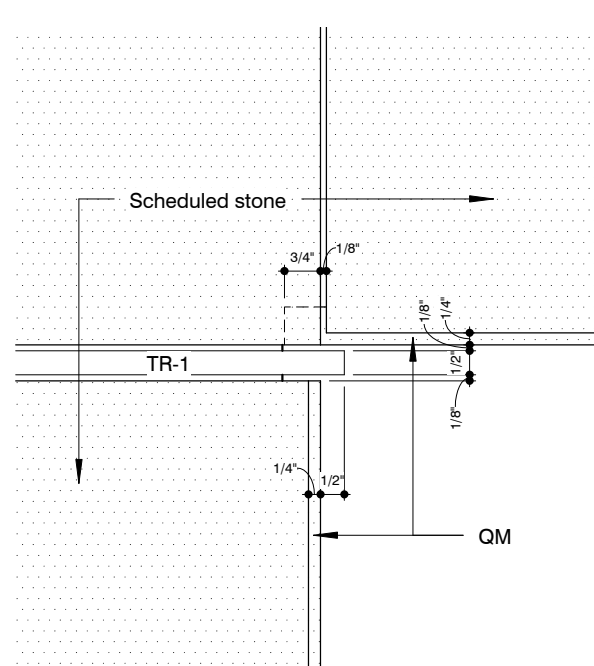
12 Detail
3" = 1'-0"



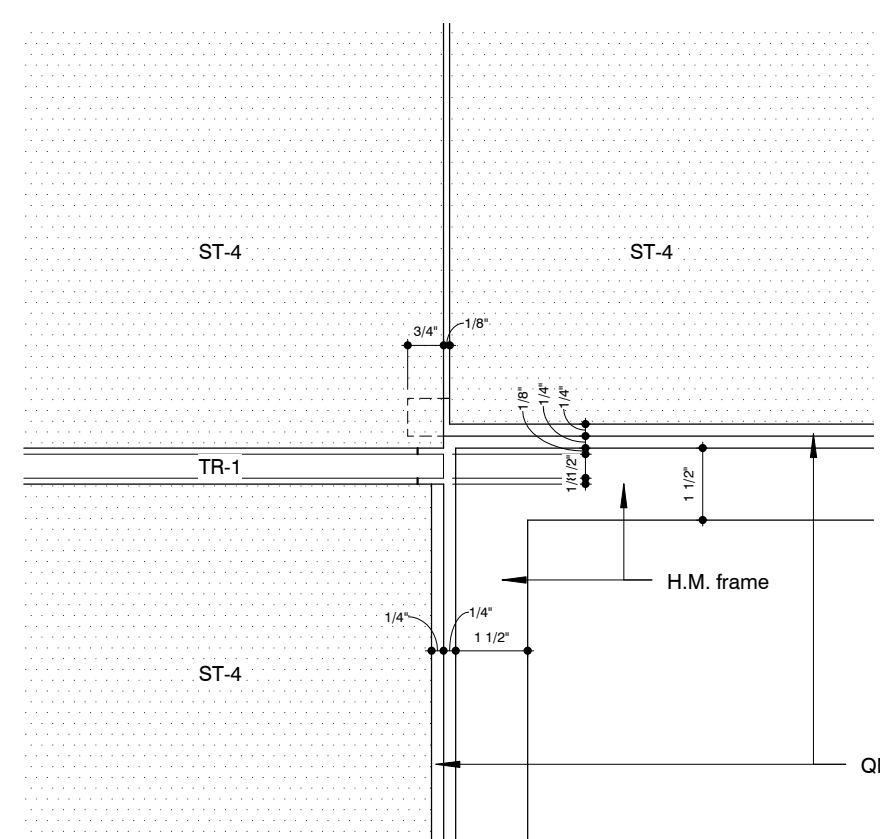
13 Detail
3" = 1'-0"



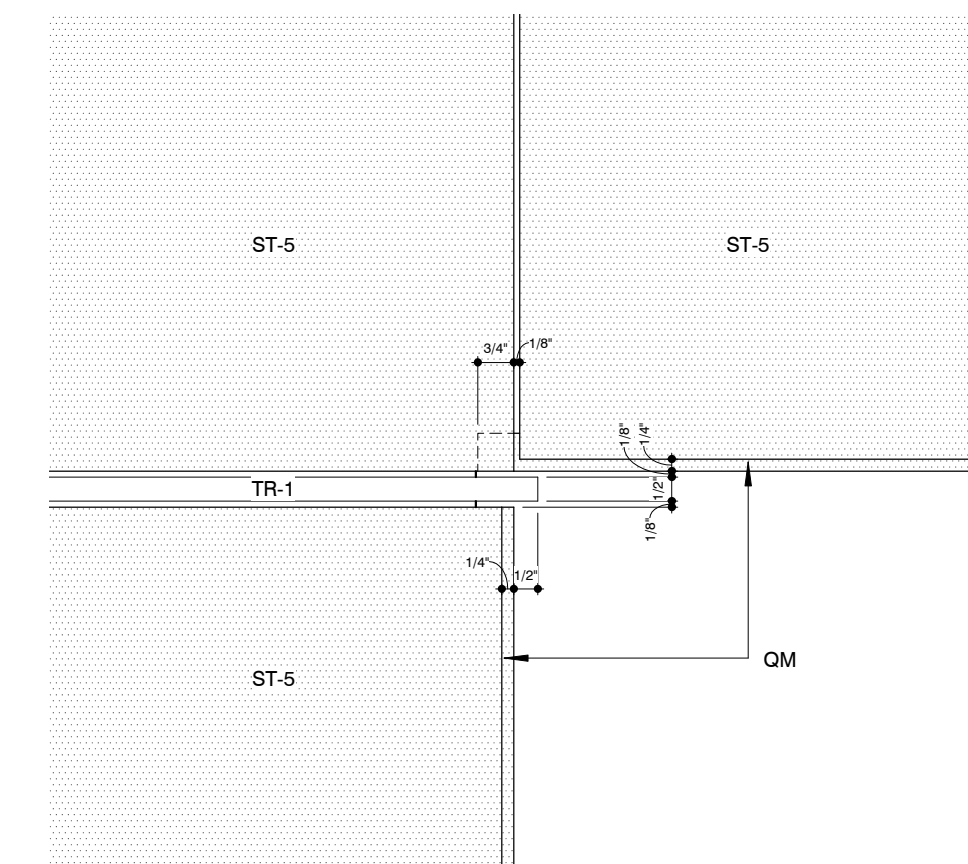
14 Detail
3" = 1'-0"



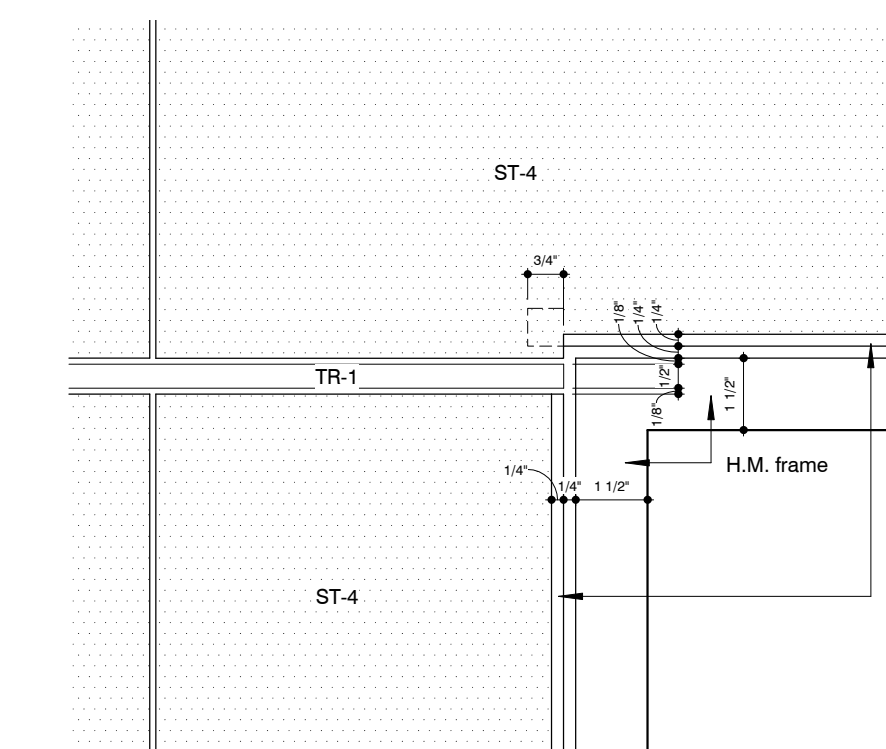
15 Detail
3" = 1'-0"



16 Detail
3" = 1'-0"



17 Detail
3" = 1'-0"



18 Detail
3" = 1'-0"

Stone Project Example

6250 Westpark Suite 218 Houston Texas 77057

Details

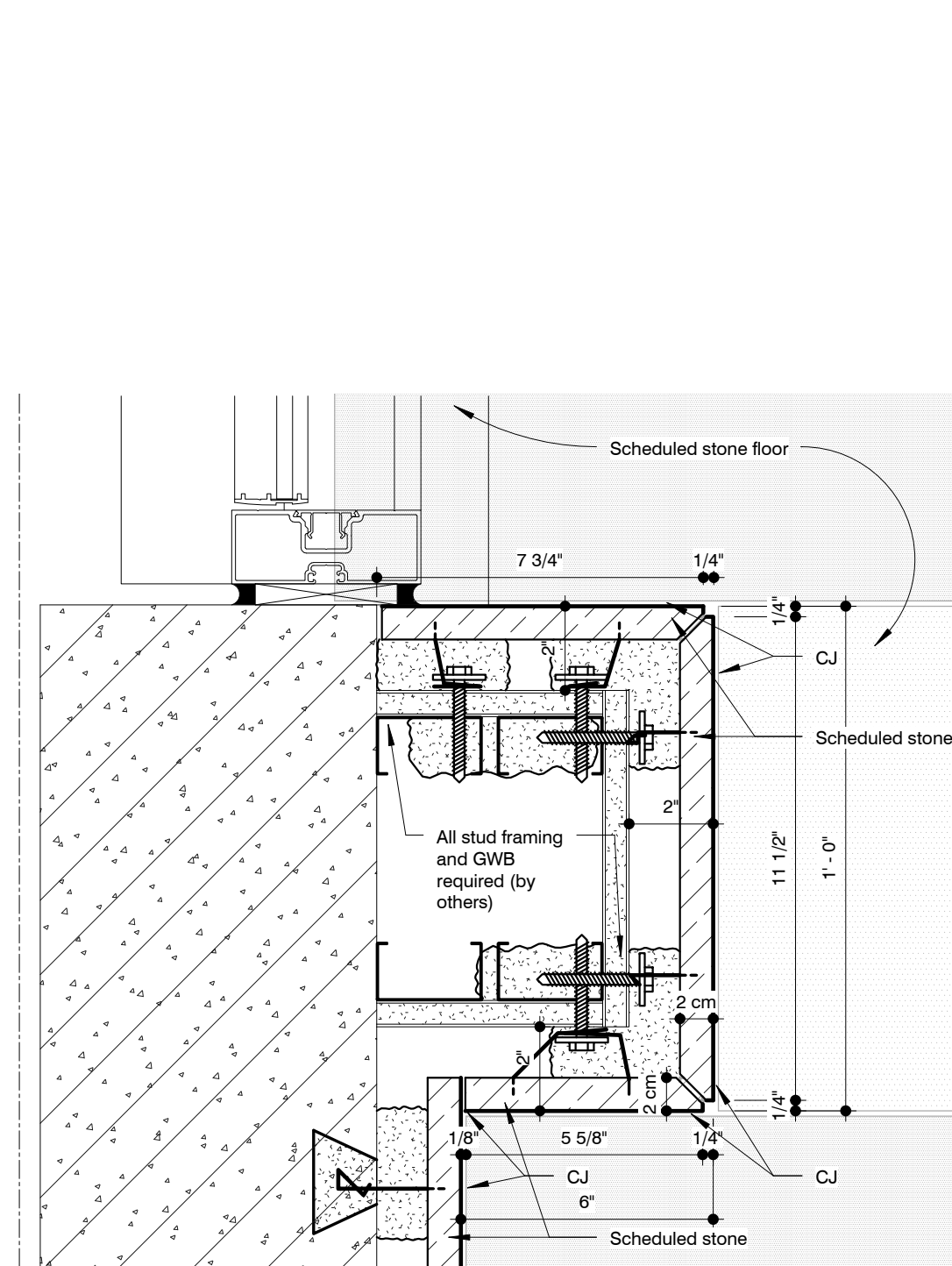
Sheet No.

ST.24

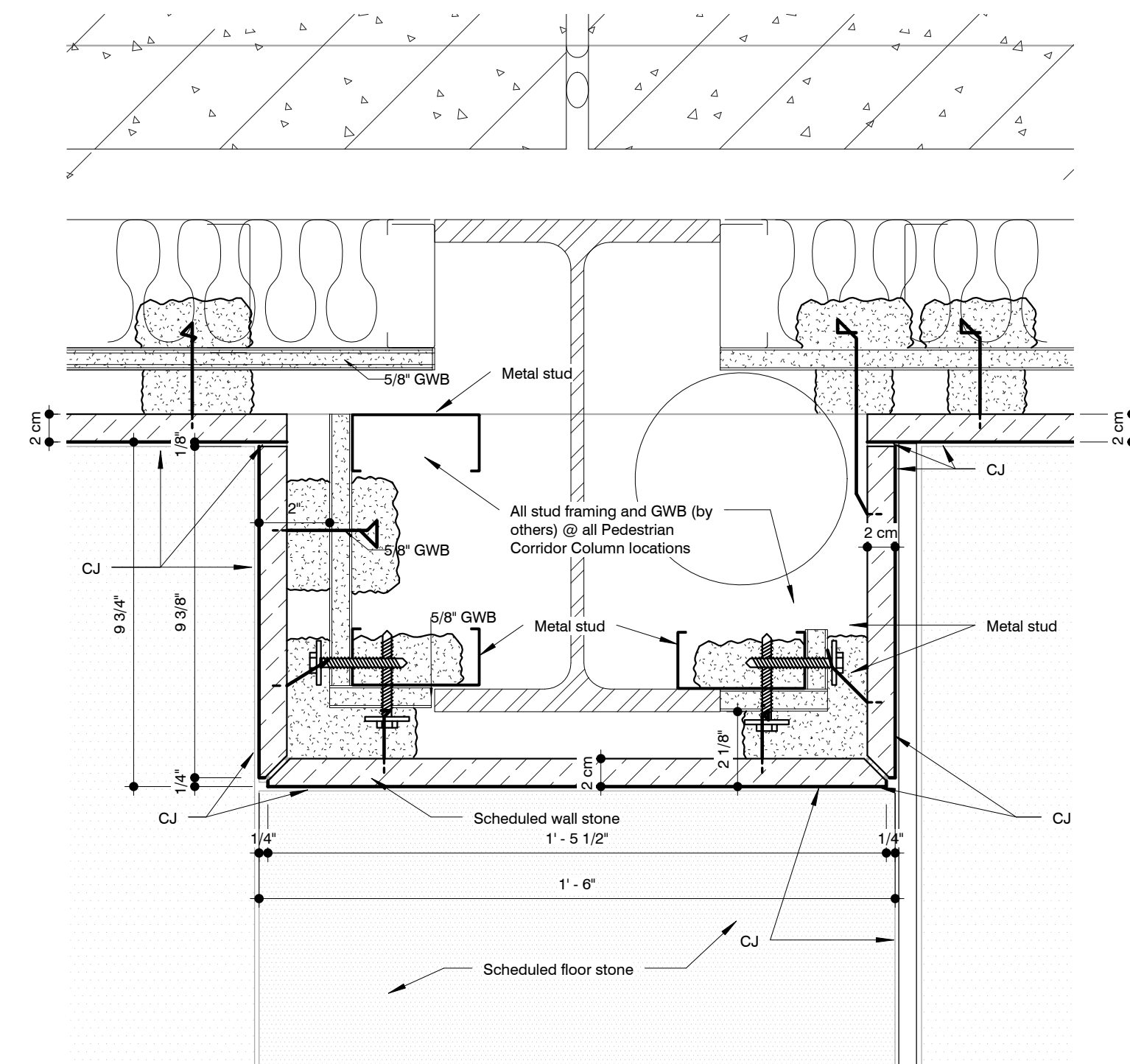
Job No.

Date
9/17/2010
5:02:20 PM

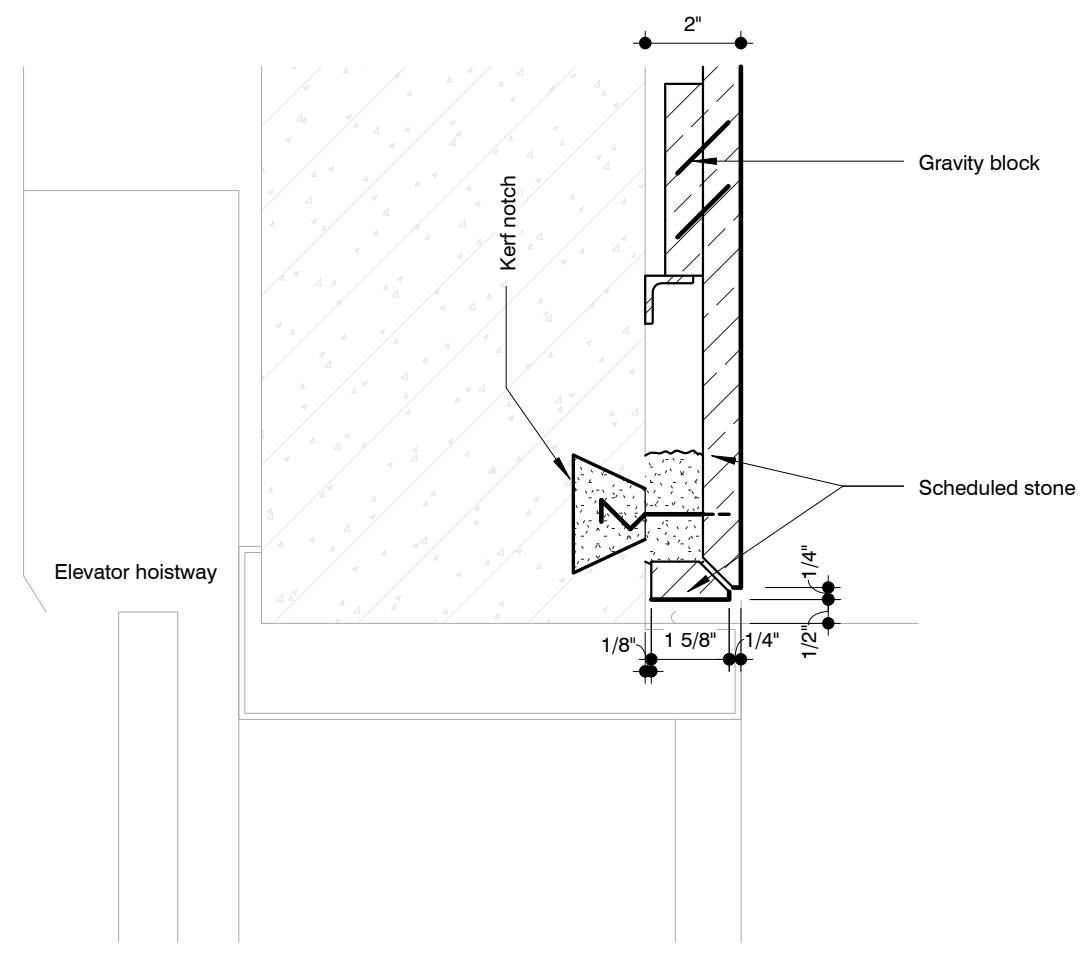
Note: See sheet ST.1 for stone type legend



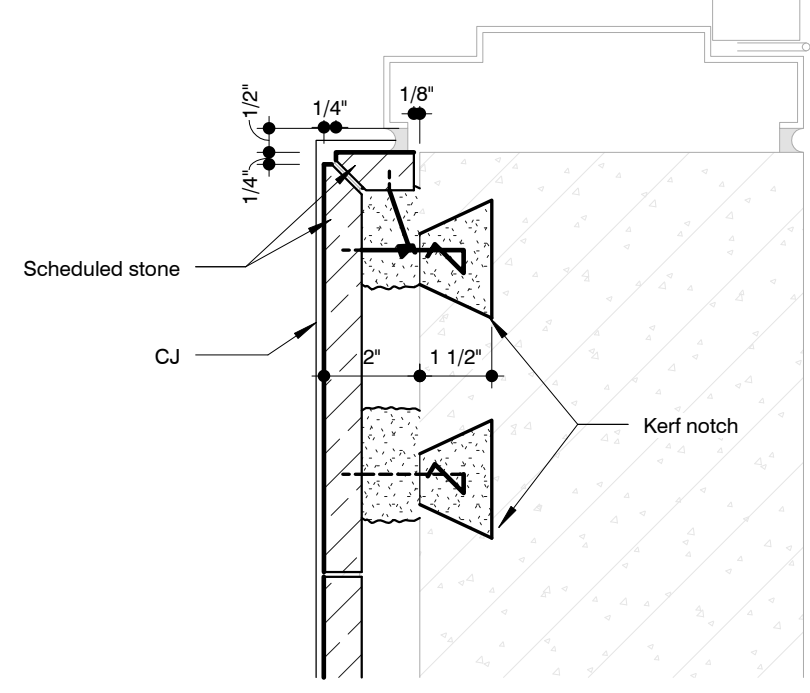
1 Column Detail
3" = 1'-0"



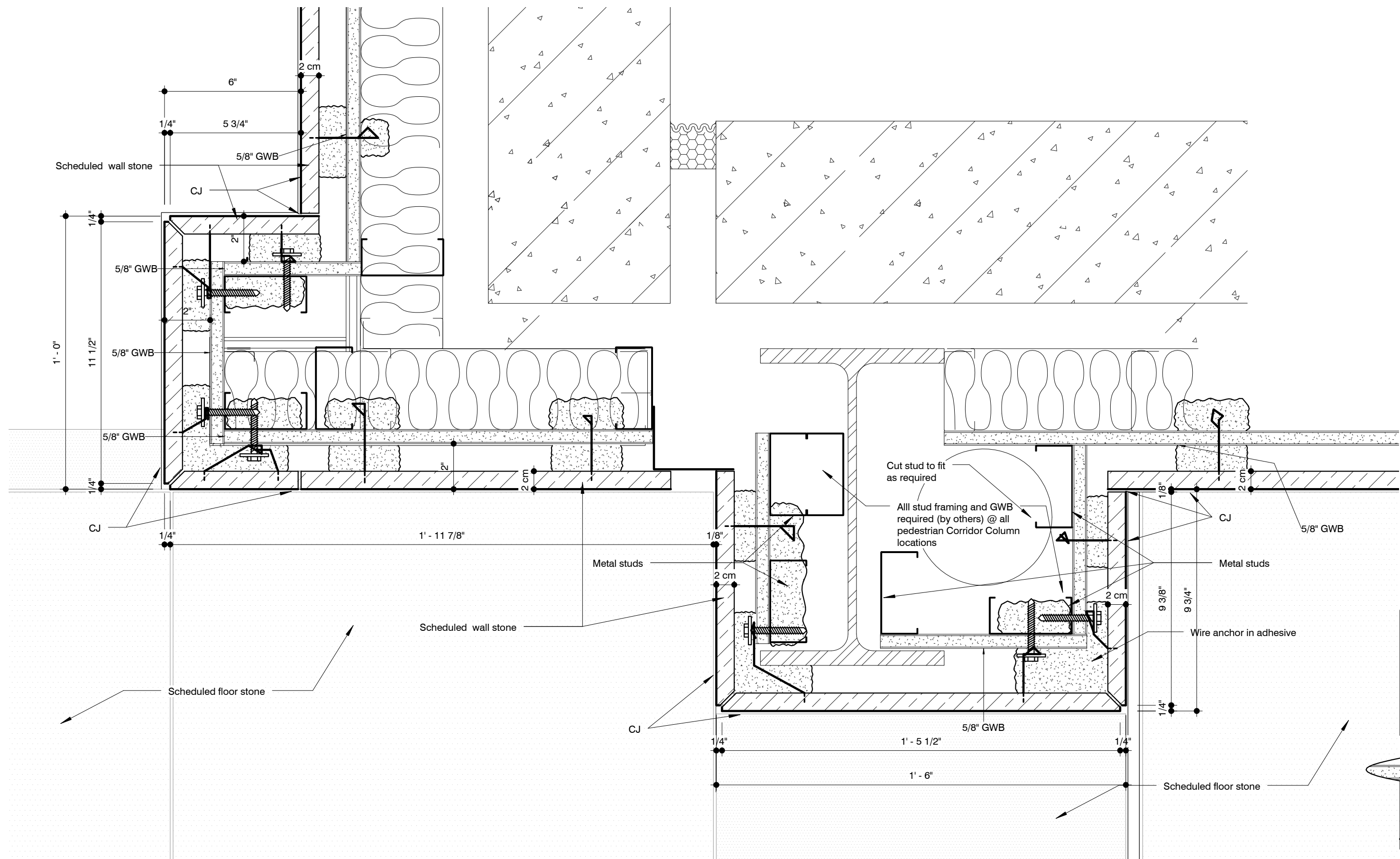
2 Column Detail
3" = 1'-0"



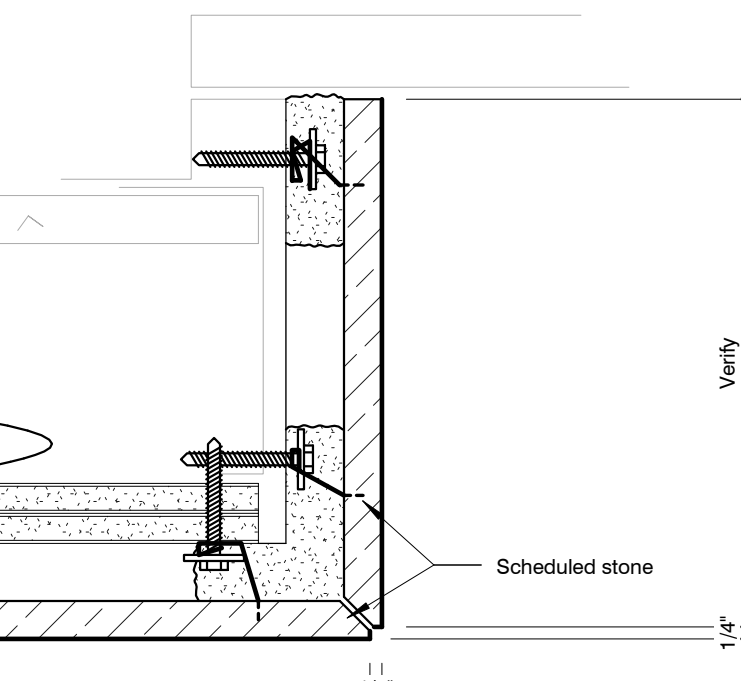
4 Head Detail
3" = 1'-0"



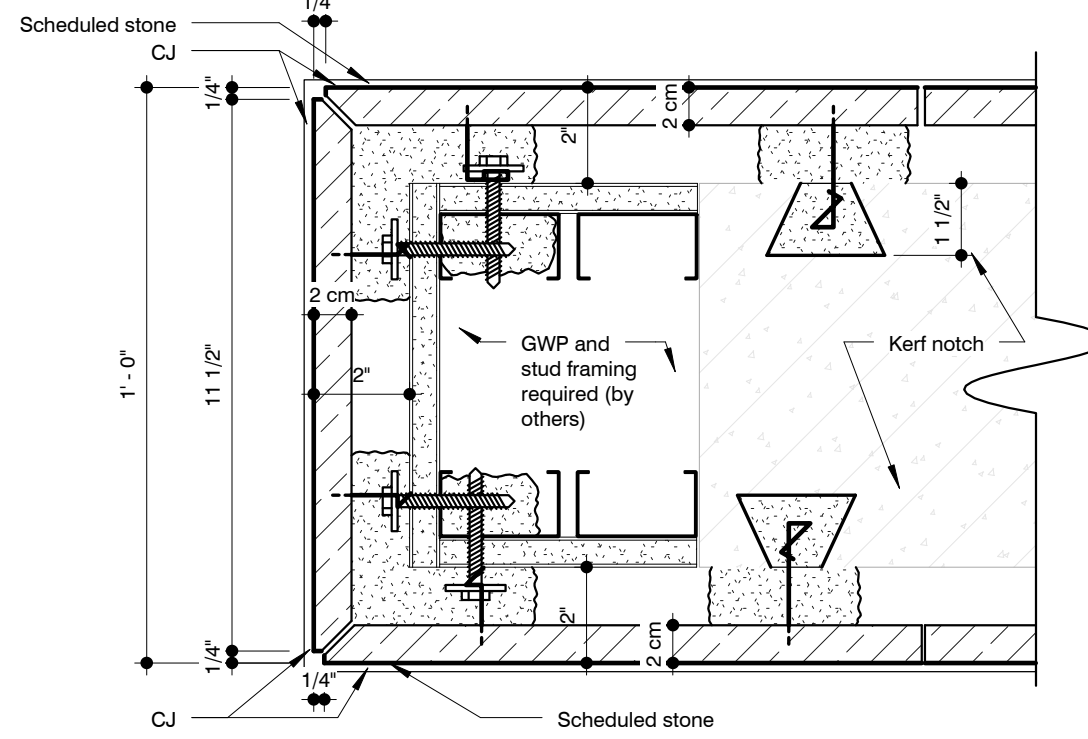
5 Jamb Detail
3" = 1'-0"



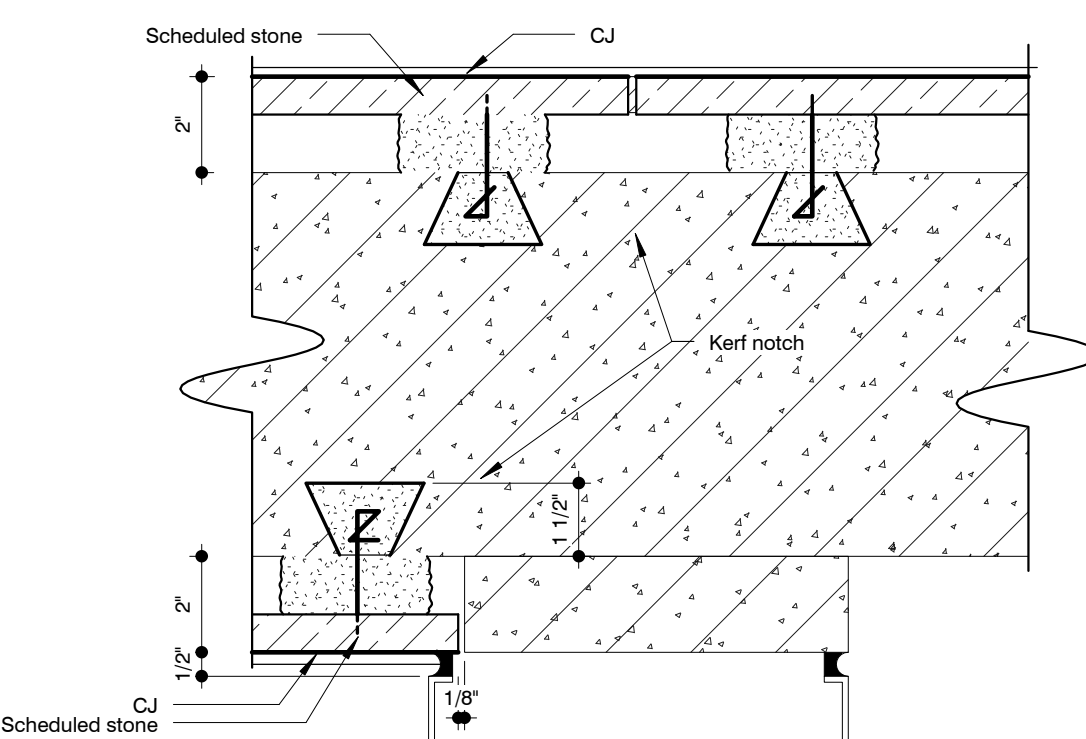
3 Column Detail @ Garage Lobby/Pedestrian Walkway
3" = 1'-0"



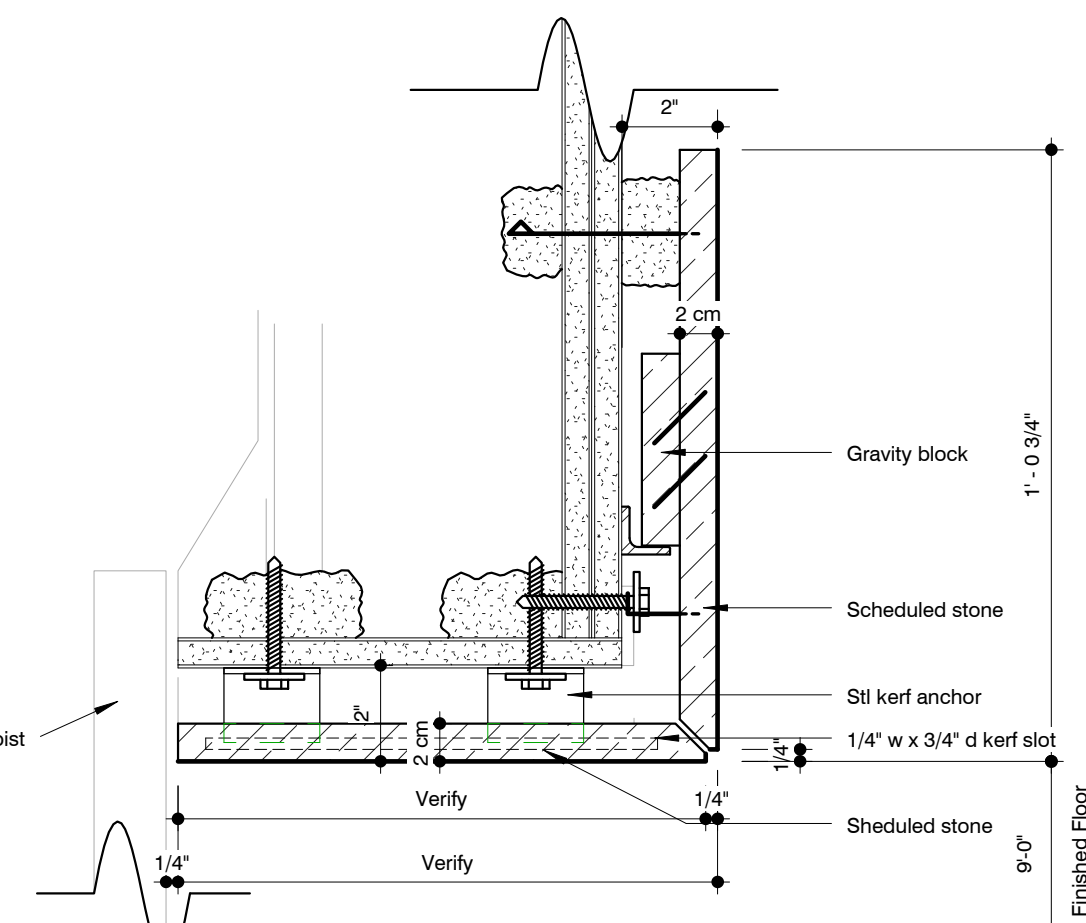
8 Jamb Detail
3" = 1'-0"



6 Detail
3" = 1'-0"



7 Jamb Detail
3" = 1'-0"



9 Head Detail
3" = 1'-0"

Revisions

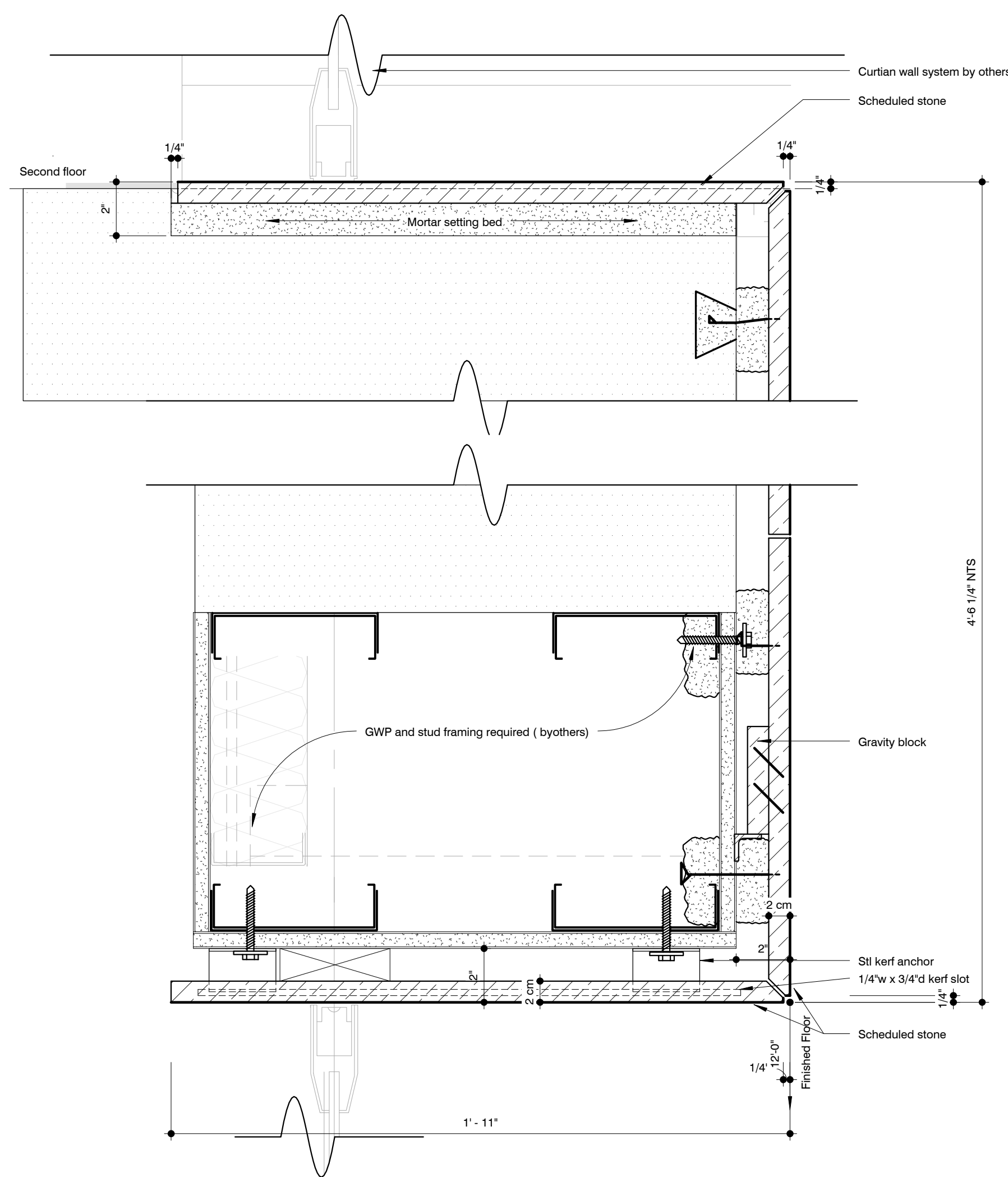
Stone Project Example
6250 Westpark Suite 218 Houston Texas 77057

Details

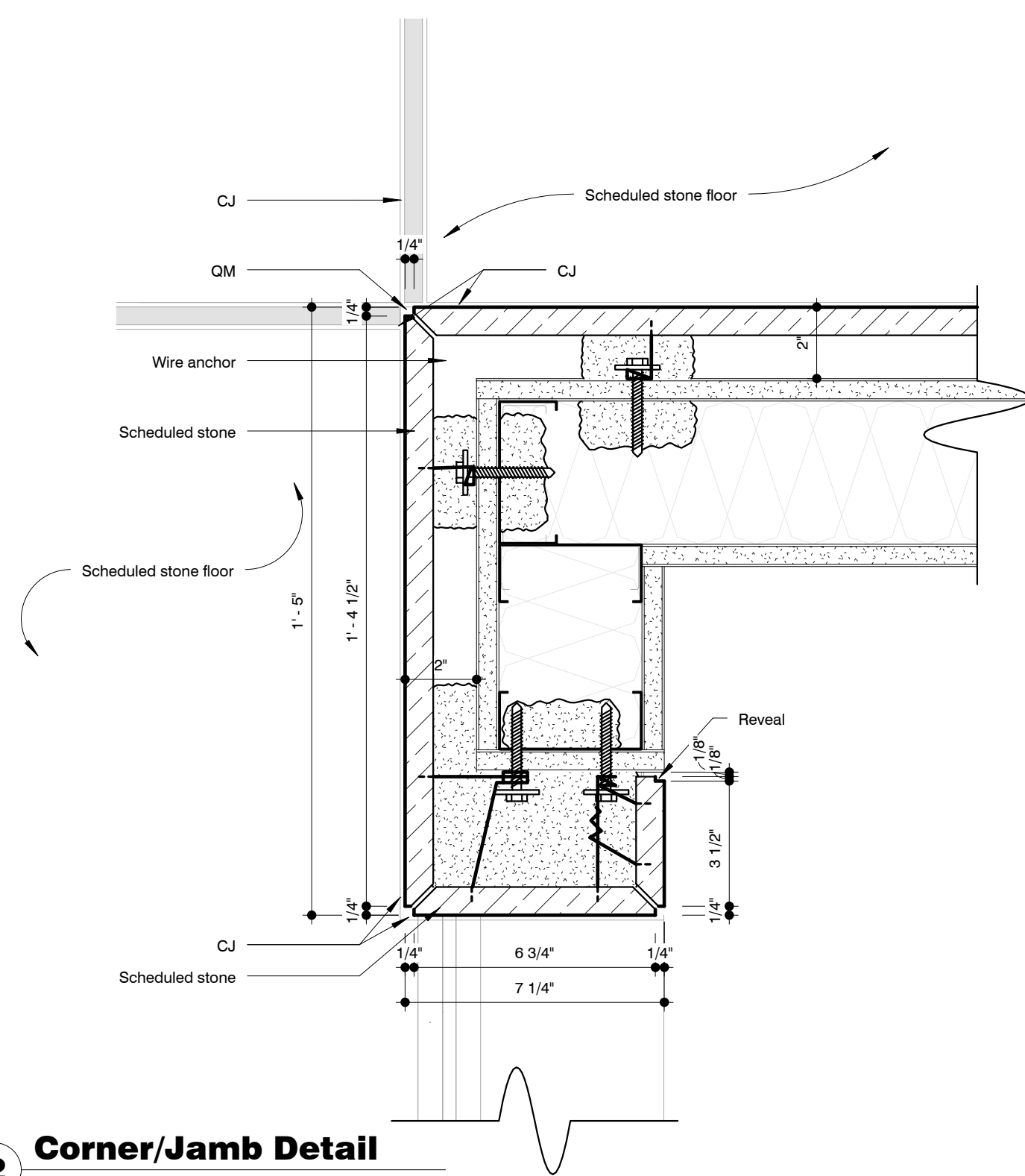
Sheet No.
ST.25

Job No.
Date
9/17/2010
5:02:56 PM

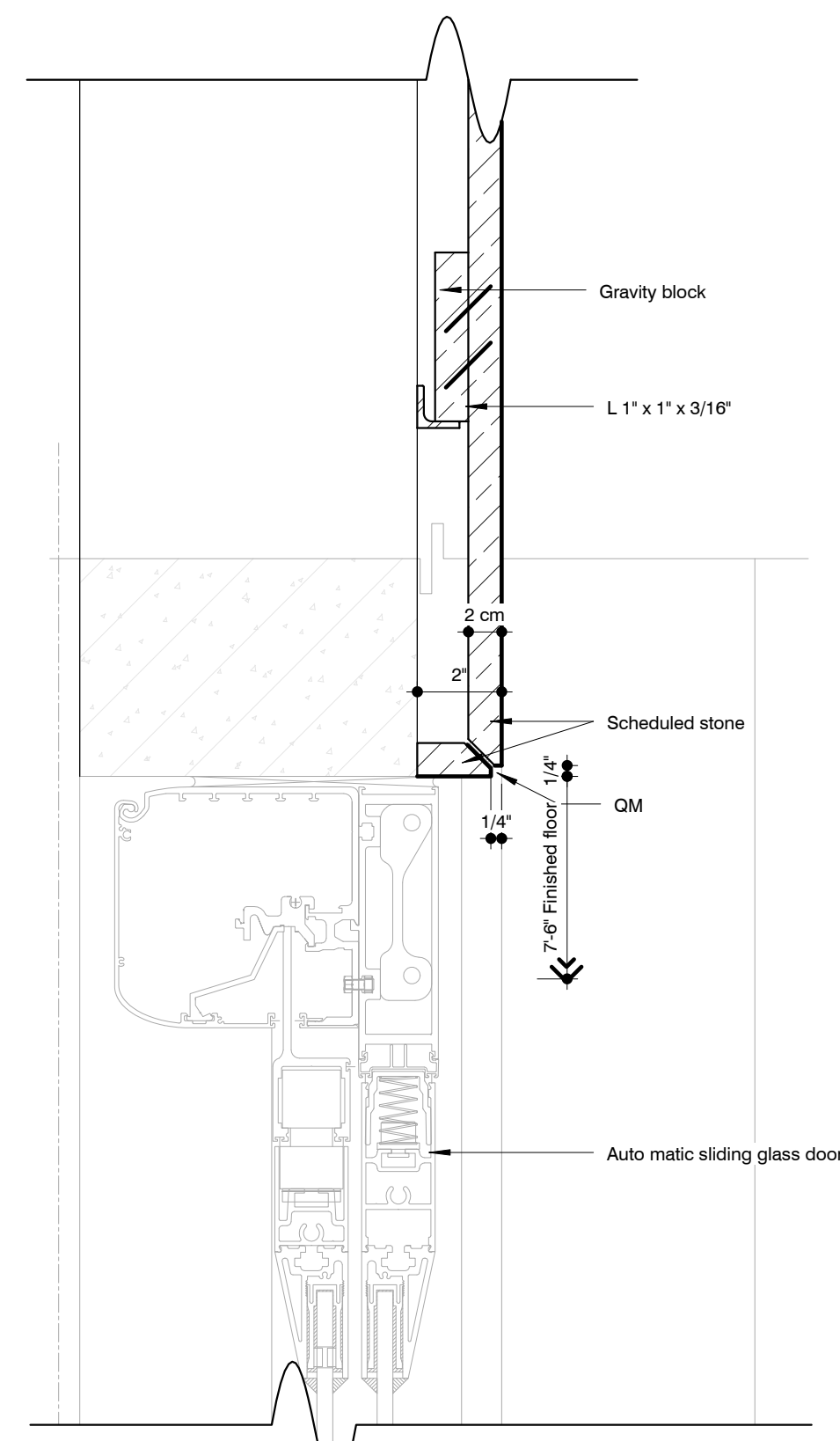
Note: See sheet ST.1 for stone type legend



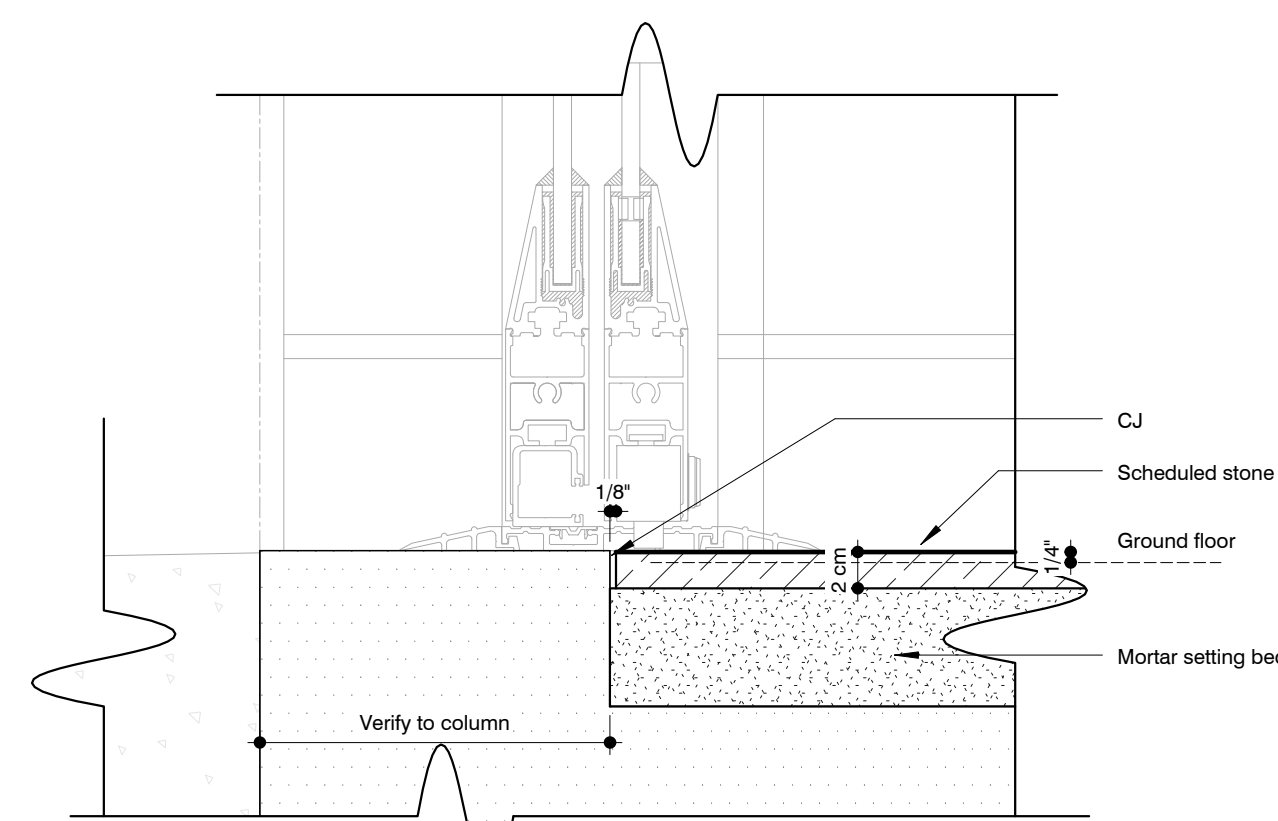
1 Detail
3" = 1'-0"



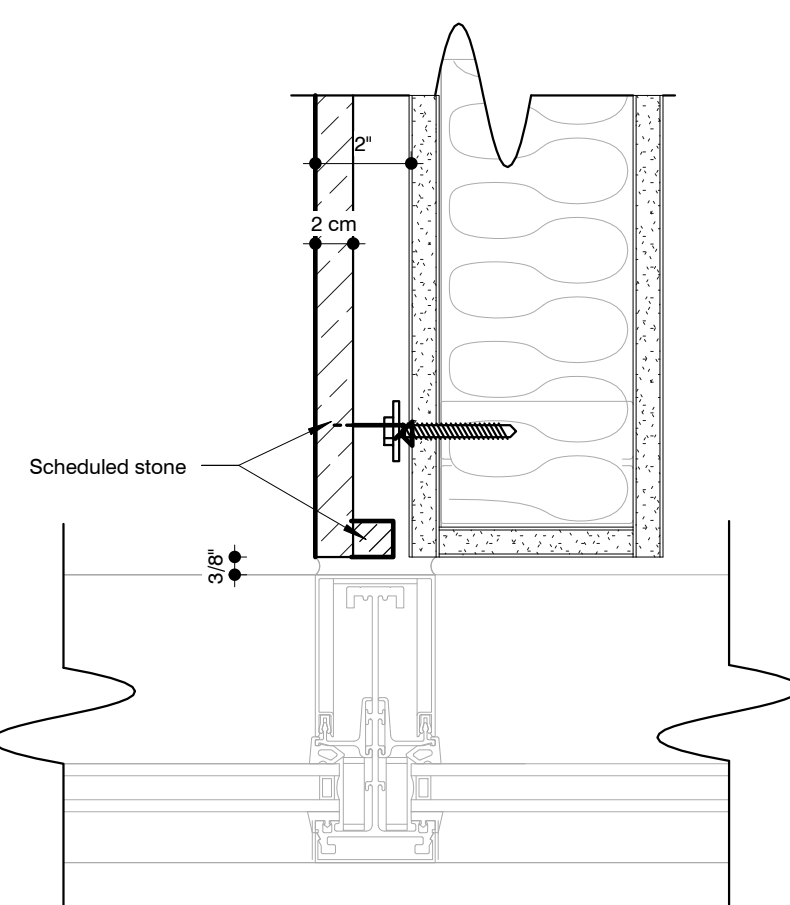
2 Corner/Jamb Detail
3" = 1'-0"



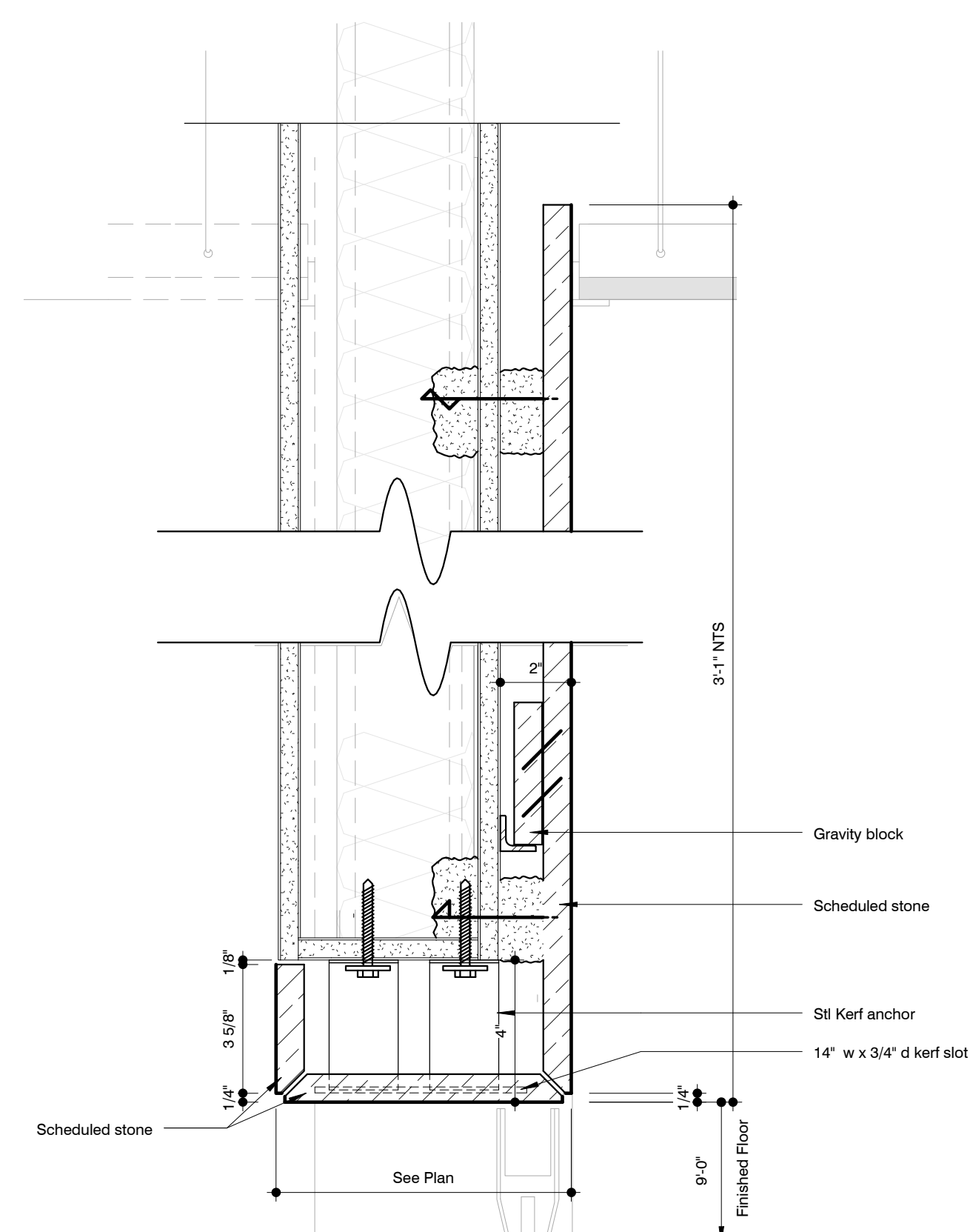
3 Head Detail
3" = 1'-0"



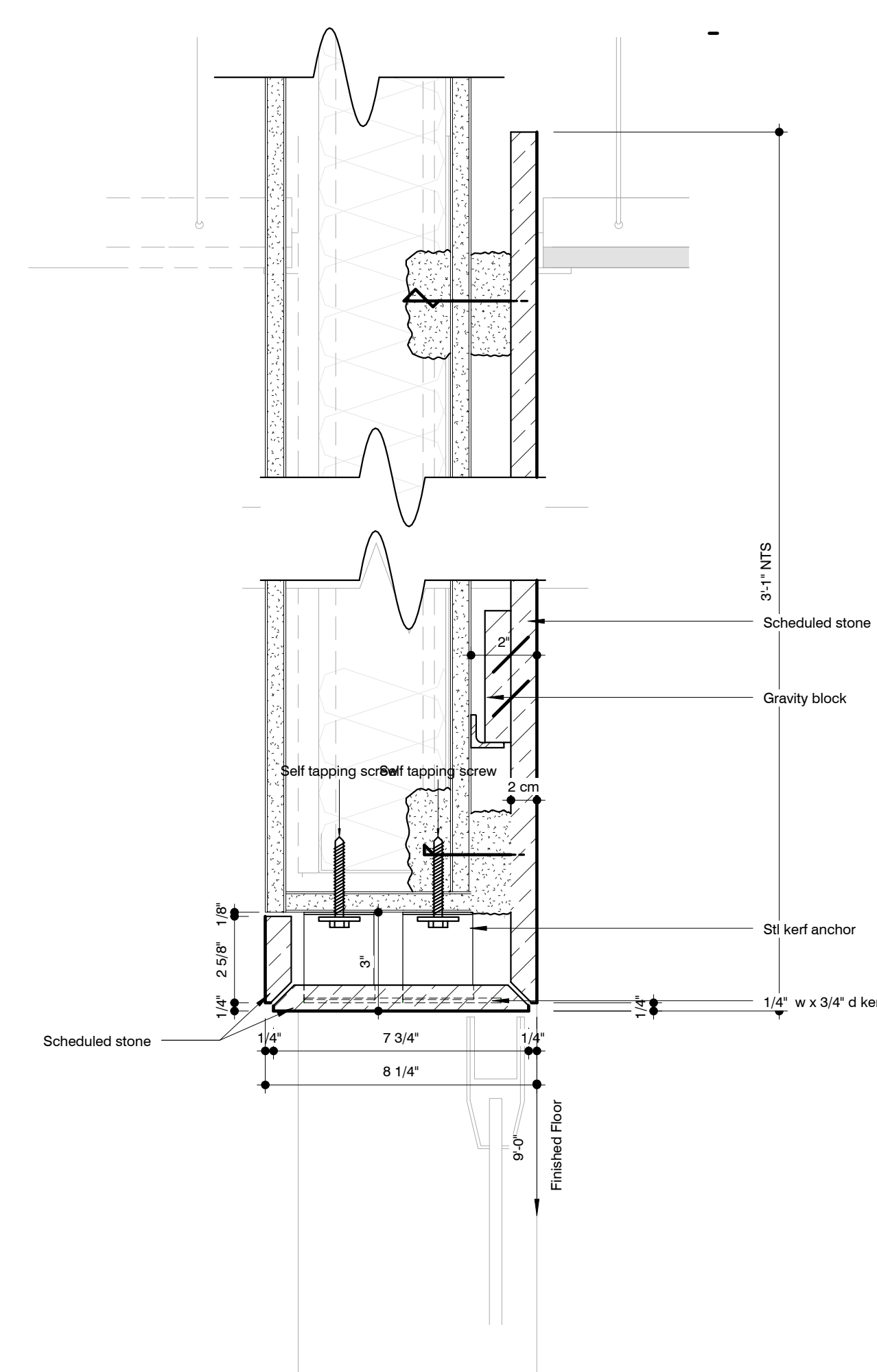
4 Sill Detail
3" = 1'-0"



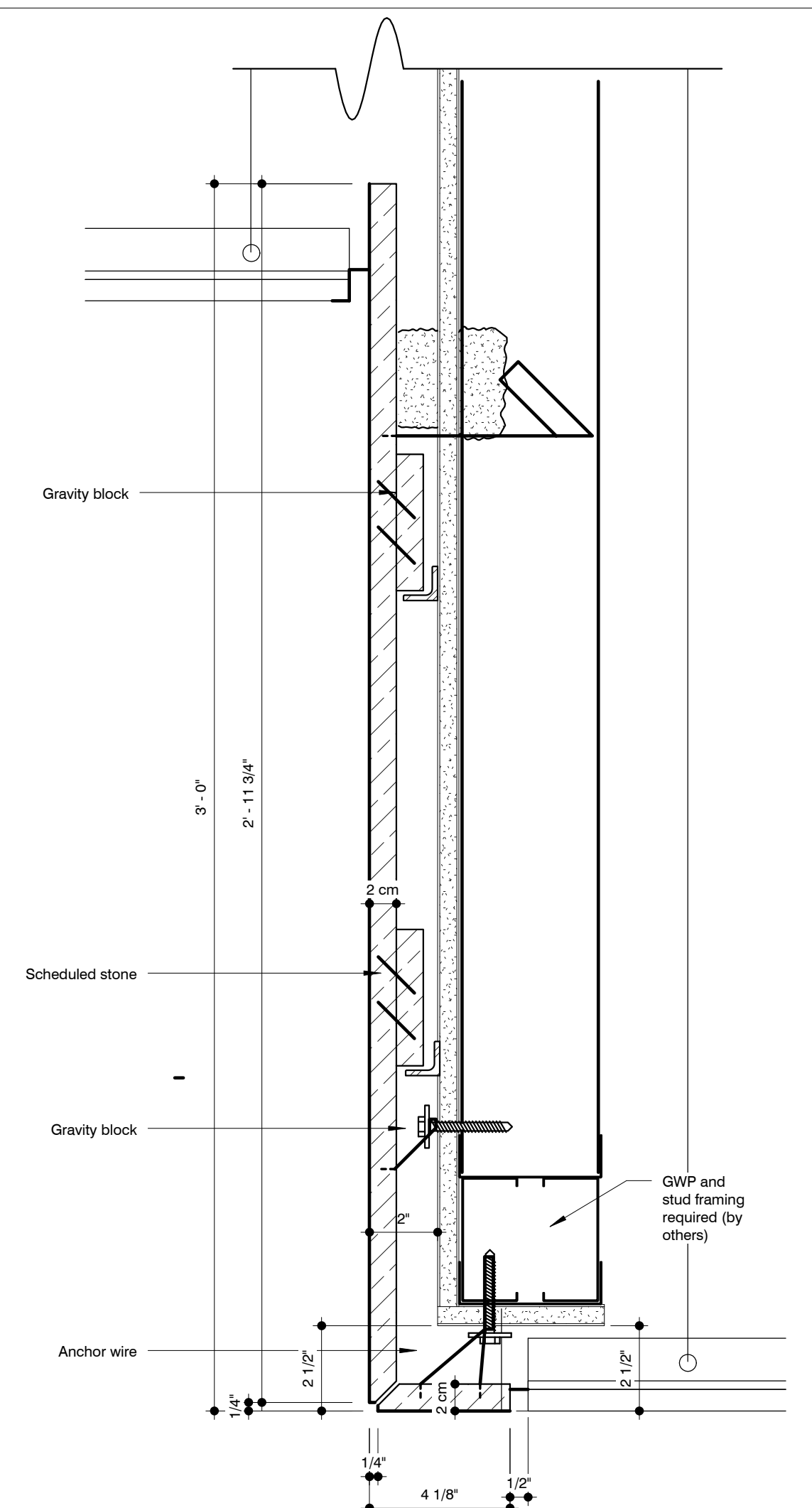
5 Detail
3" = 1'-0"



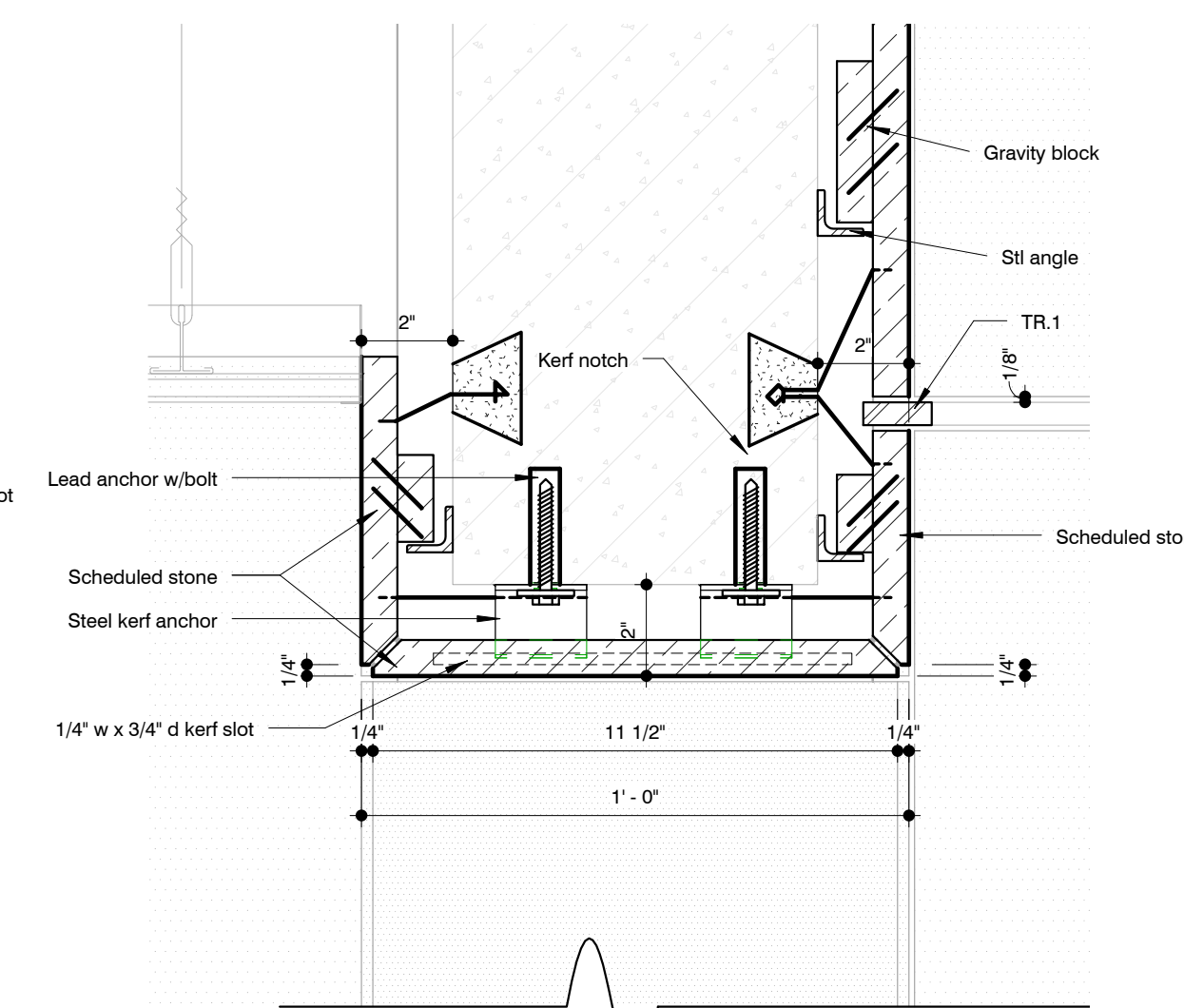
6 Head Detail
3" = 1'-0"



7 Head Detail
3" = 1'-0"



8 Head Detail
3" = 1'-0"



10 Head Detail
3" = 1'-0"

Revisions

Stone Project Example
6250 Westpark Suite 218 Houston Texas 77057

Details

Sheet No.
ST.26

Job No.
Date
9/17/2010
5:02:59 PM

Note: See sheet ST.1 for stone type legend

Revisions

No.	Description	Date

Stone Project Example

6250 Westpark Suite 218 Houston Texas 77057

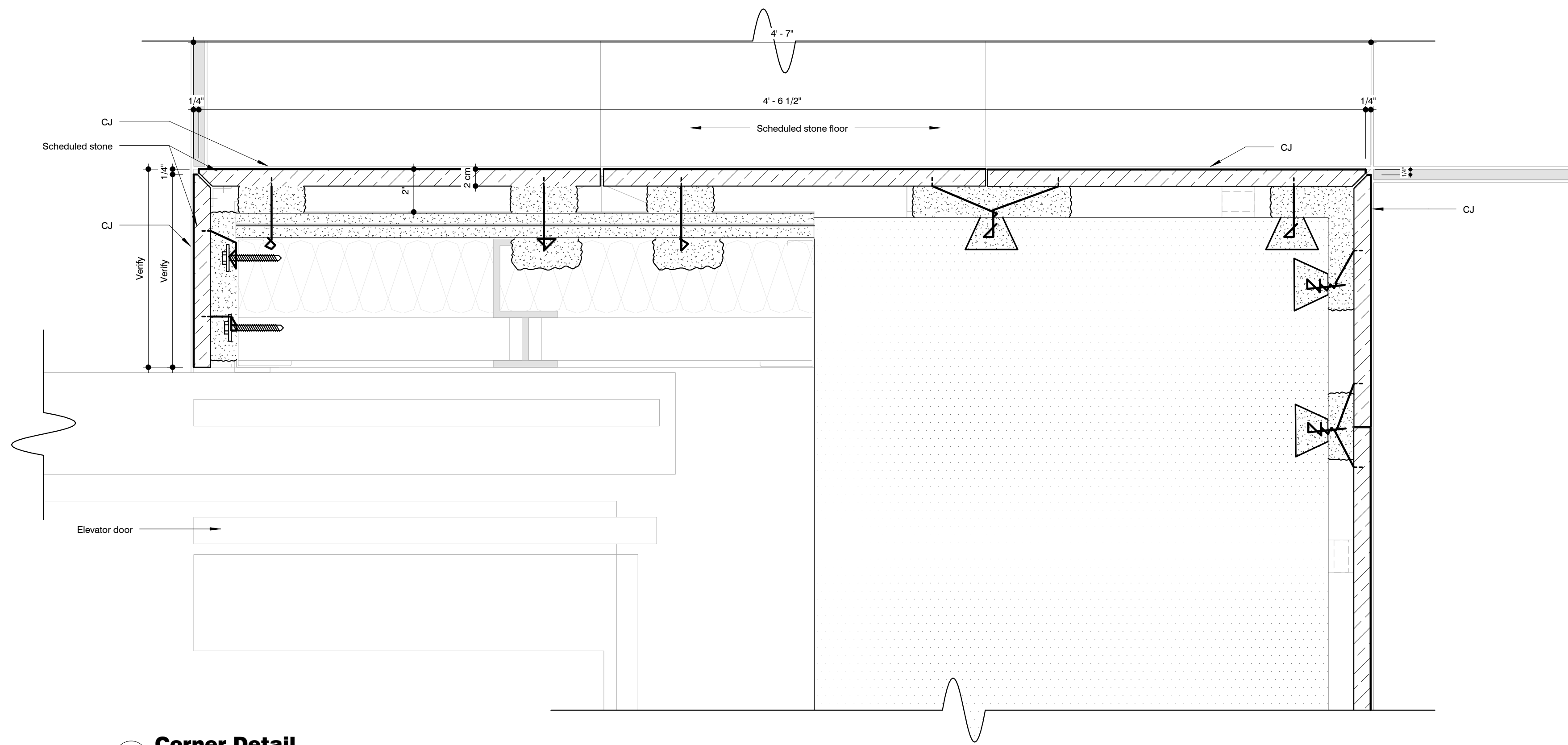
Details

Sheet No.

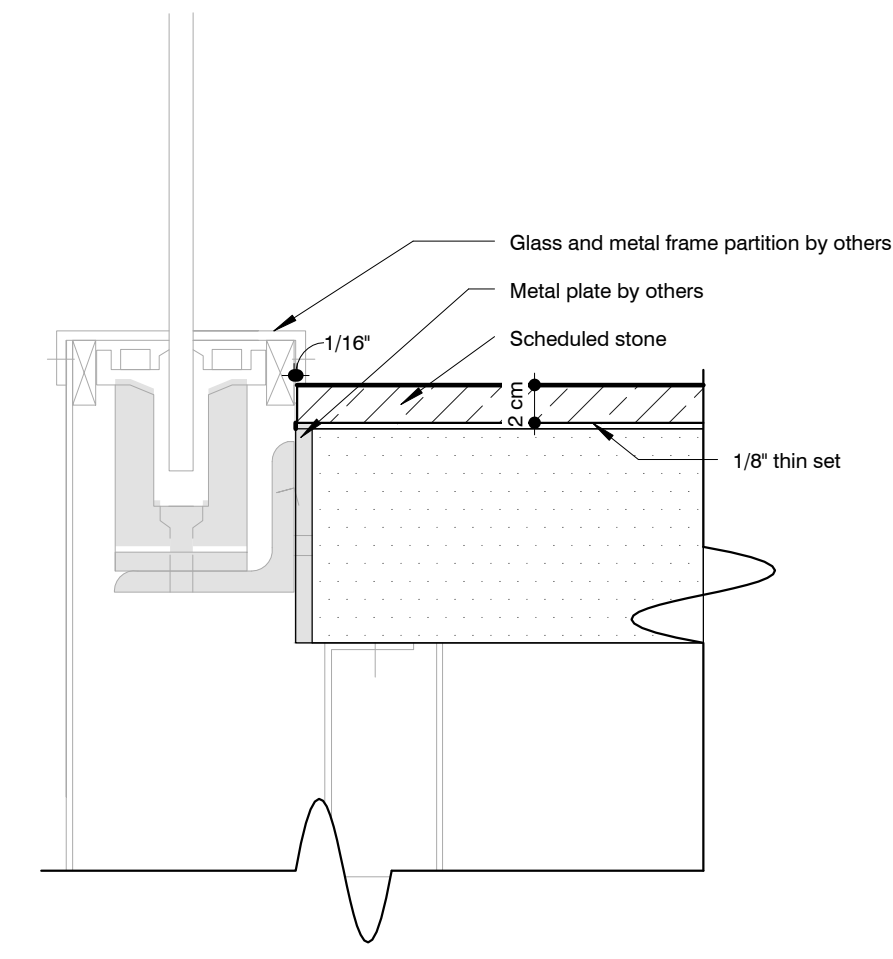
ST.27

Job No.

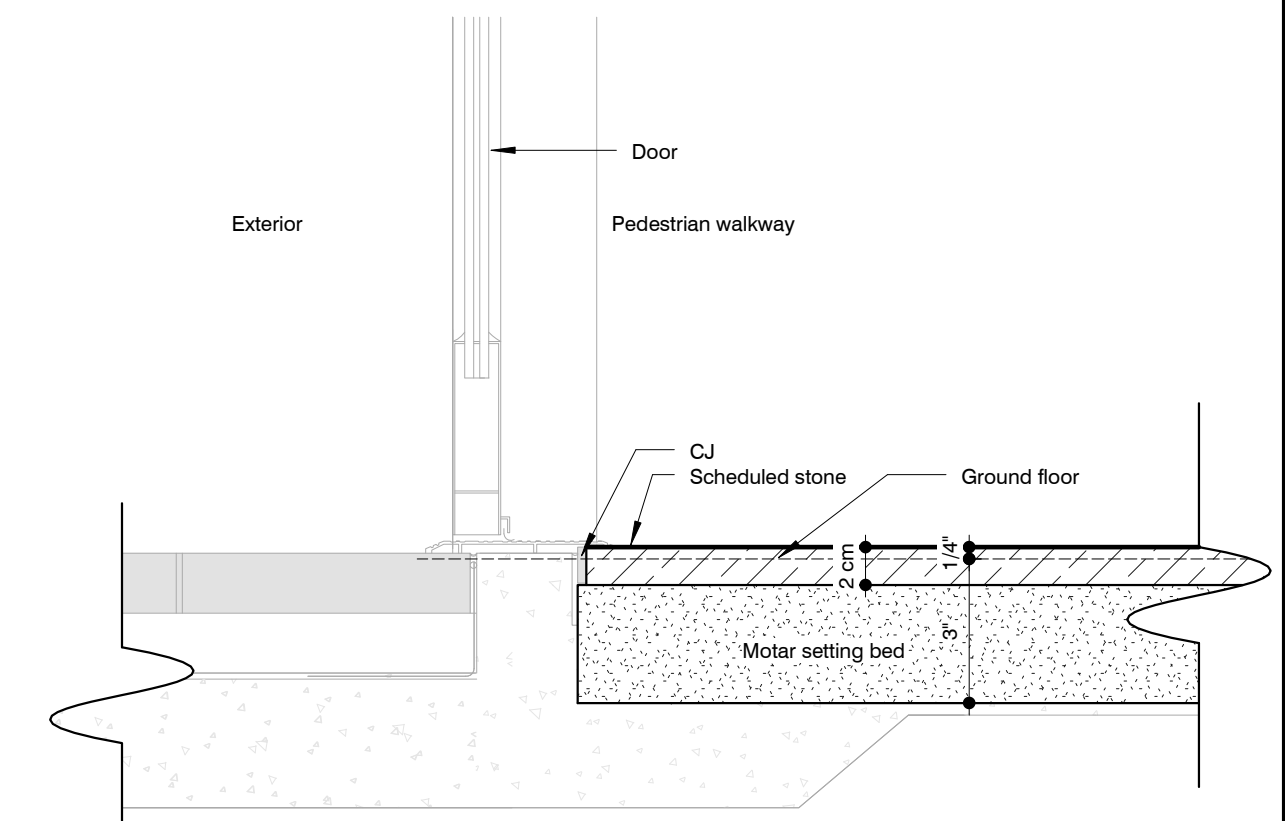
Date
9/17/2010
5:03:04 PM



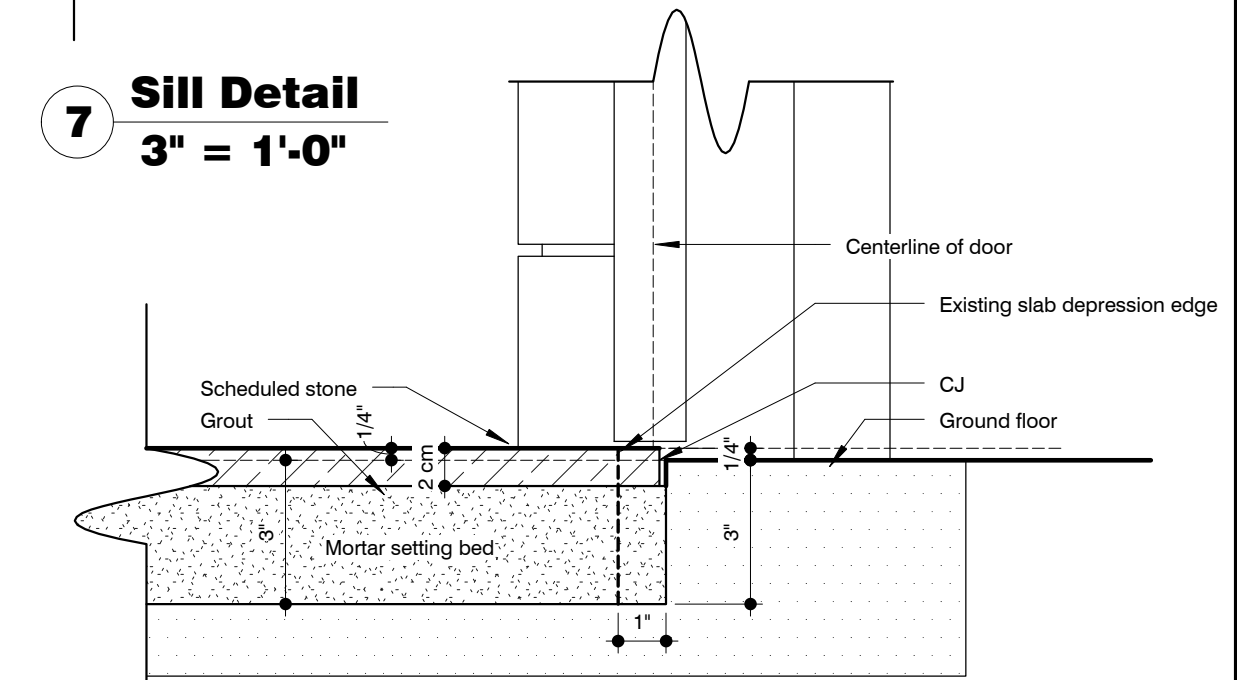
1 Corner Detail
3" = 1'-0"



2 Detail
3" = 1'-0"

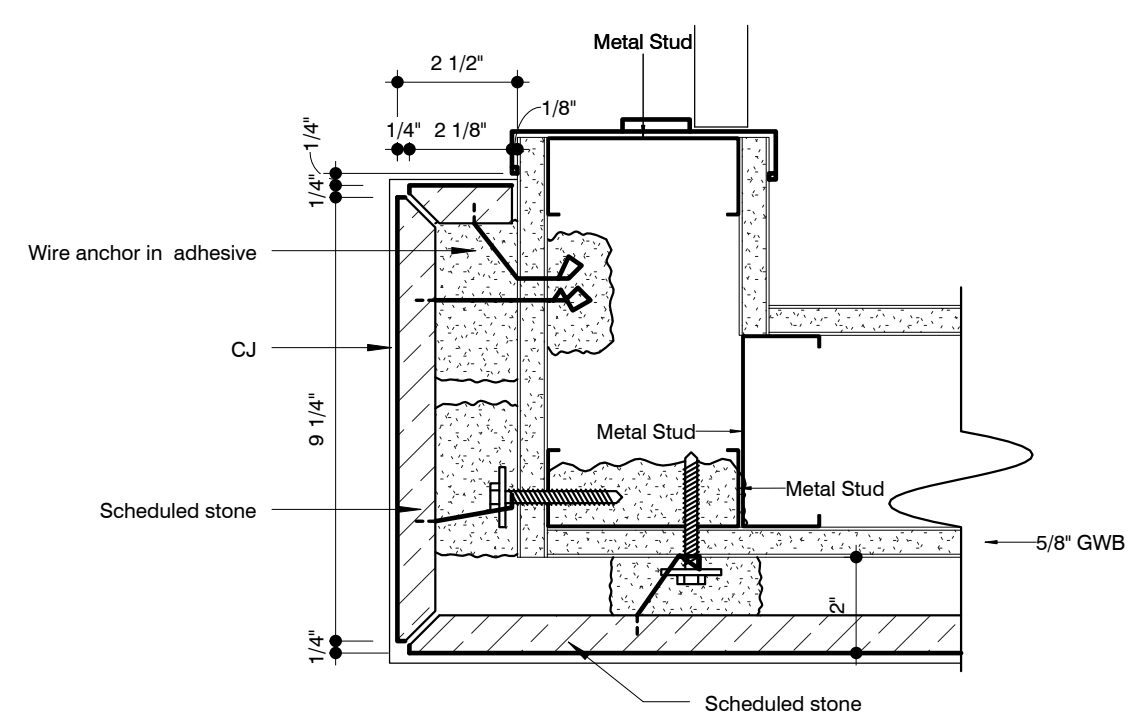
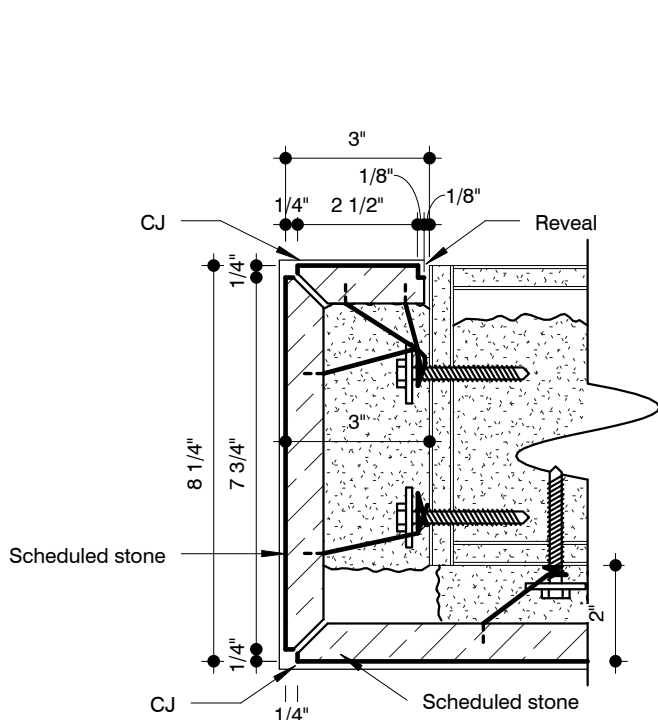


7 Sill Detail
3" = 1'-0"

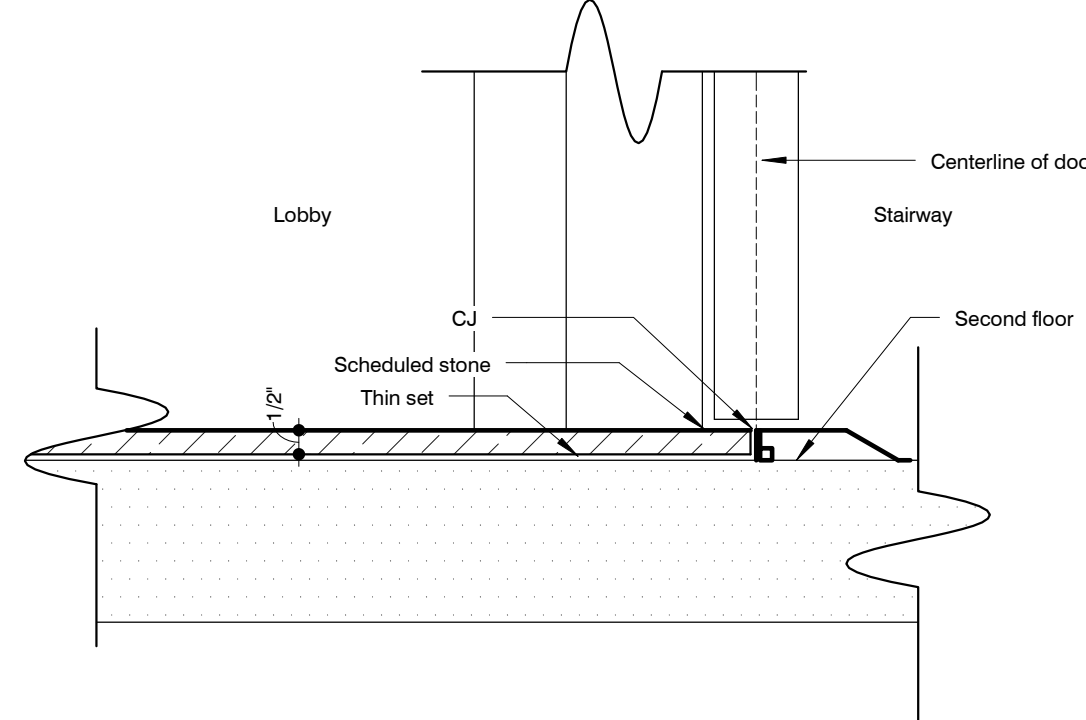


8 Sill Detail
3" = 1'-0"

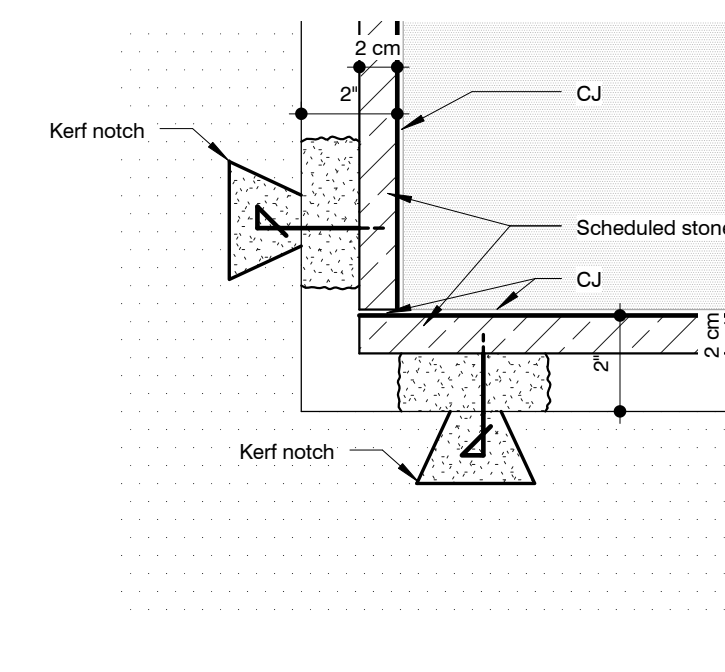
3 Jamb Detail
3" = 1'-0"



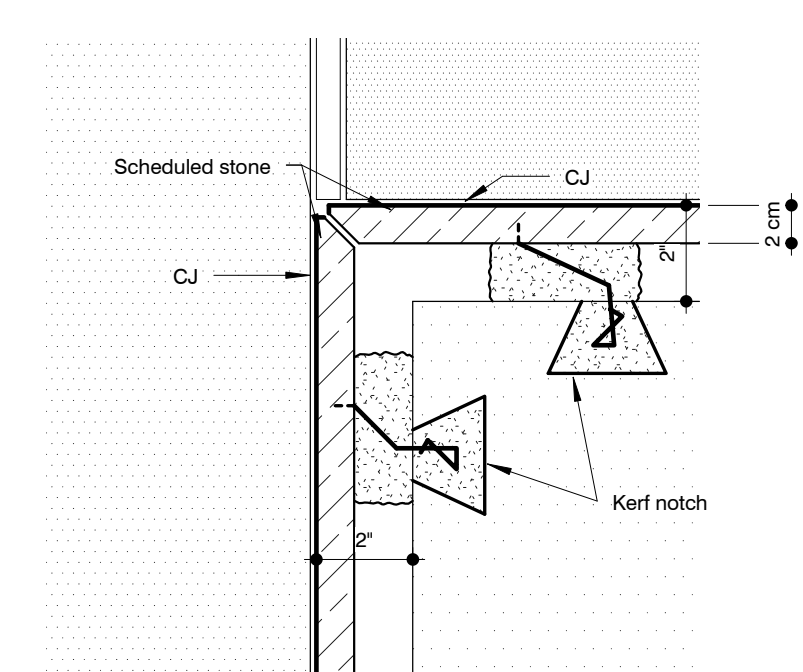
4 Jamb Detail
3" = 1'-0"



5 Sill Detail
3" = 1'-0"

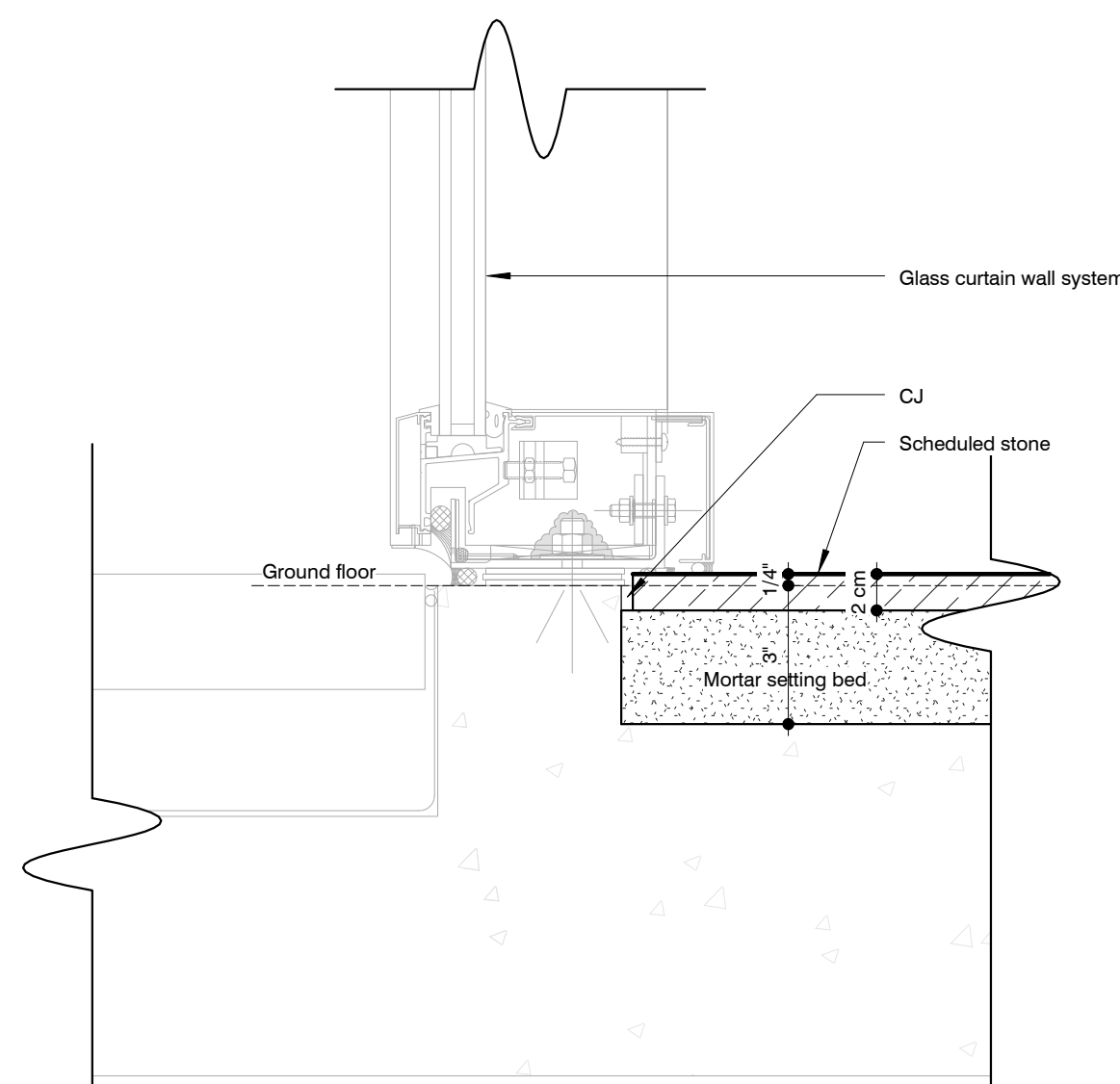


11 Corner Detail
3" = 1'-0"

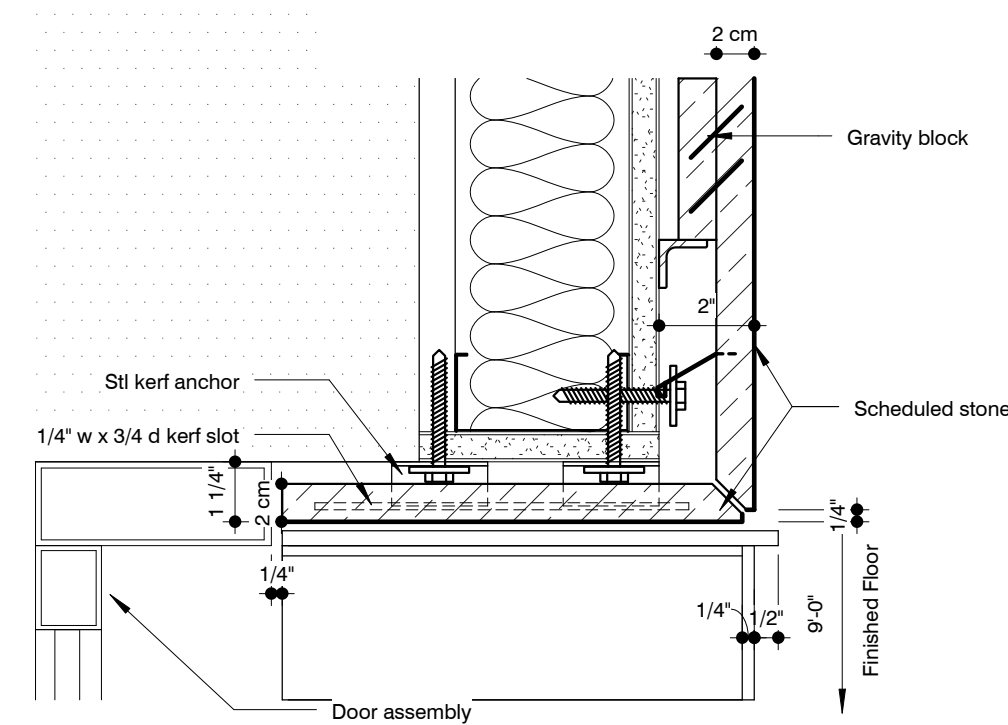


12 Corner Detail
3" = 1'-0"

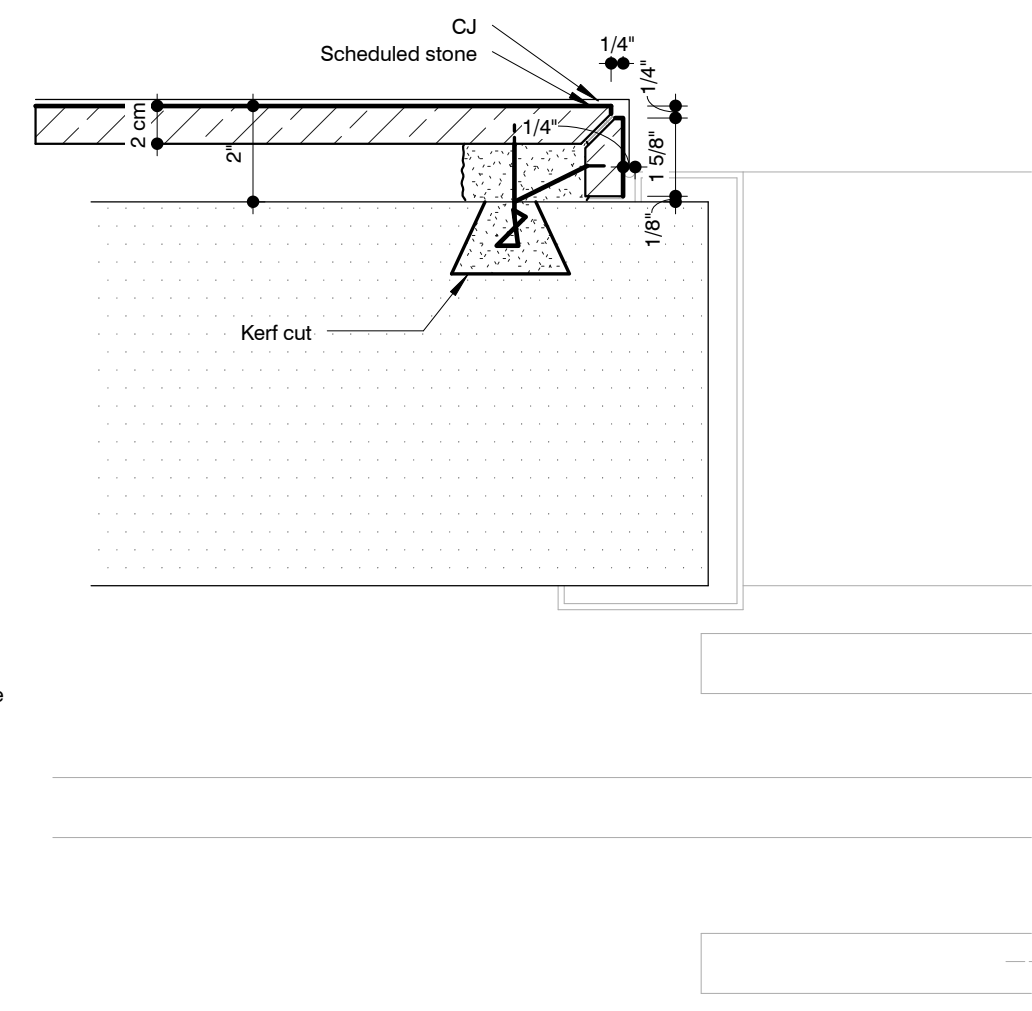
9 Sill Detail
3" = 1'-0"



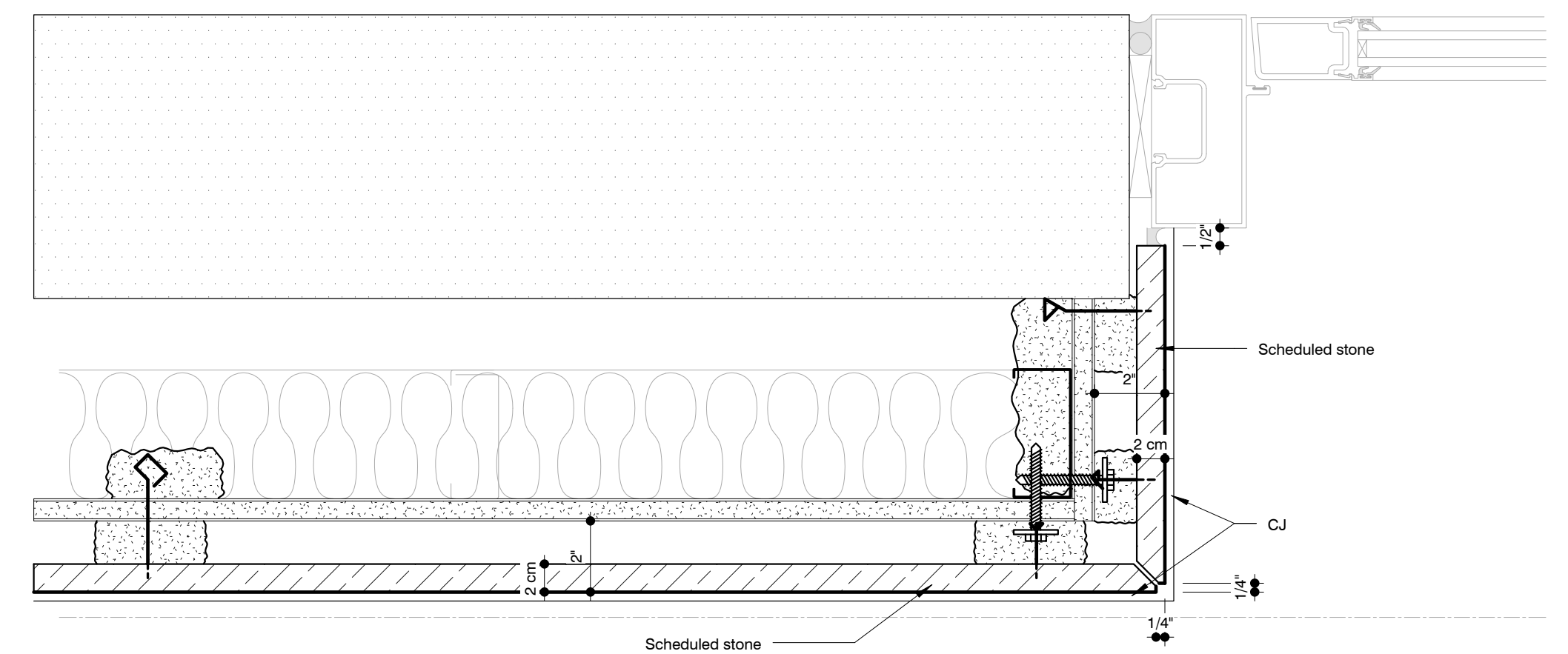
10 Head Detail
3" = 1'-0"



13 Jamb Detail
3" = 1'-0"



14 Jamb Detail
3" = 1'-0"



Note: See sheet ST.1 for stone type legend

Revisions

No.	Description	Date

Stone Project Example

6250 Westpark Suite 218 Houston Texas 77057

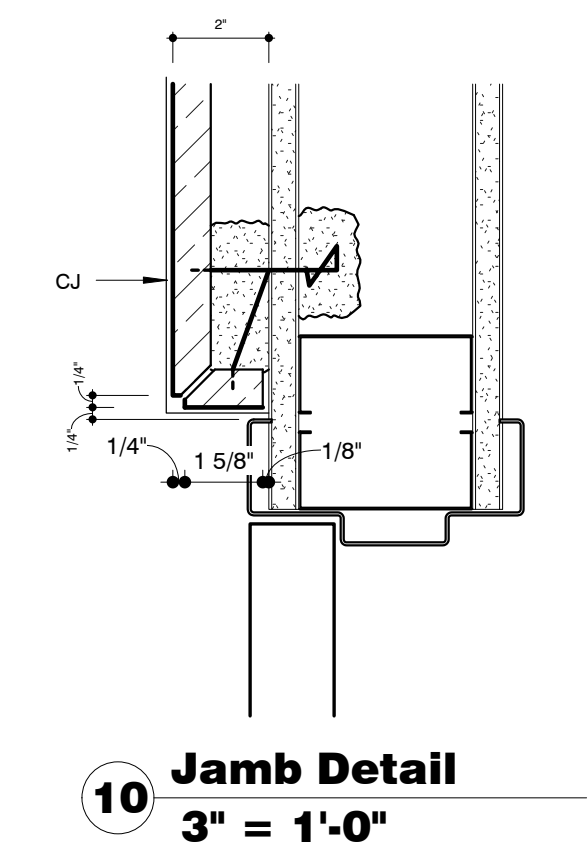
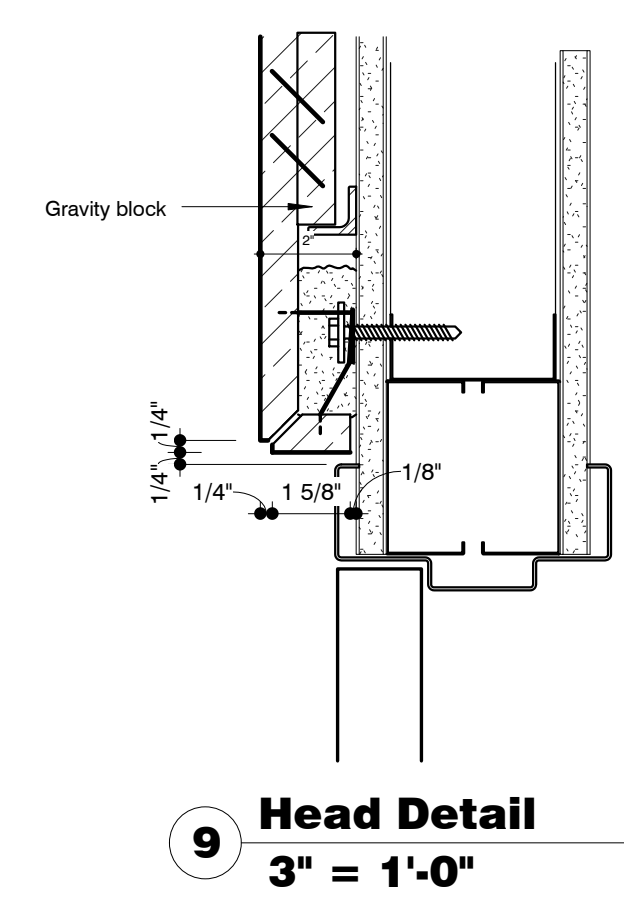
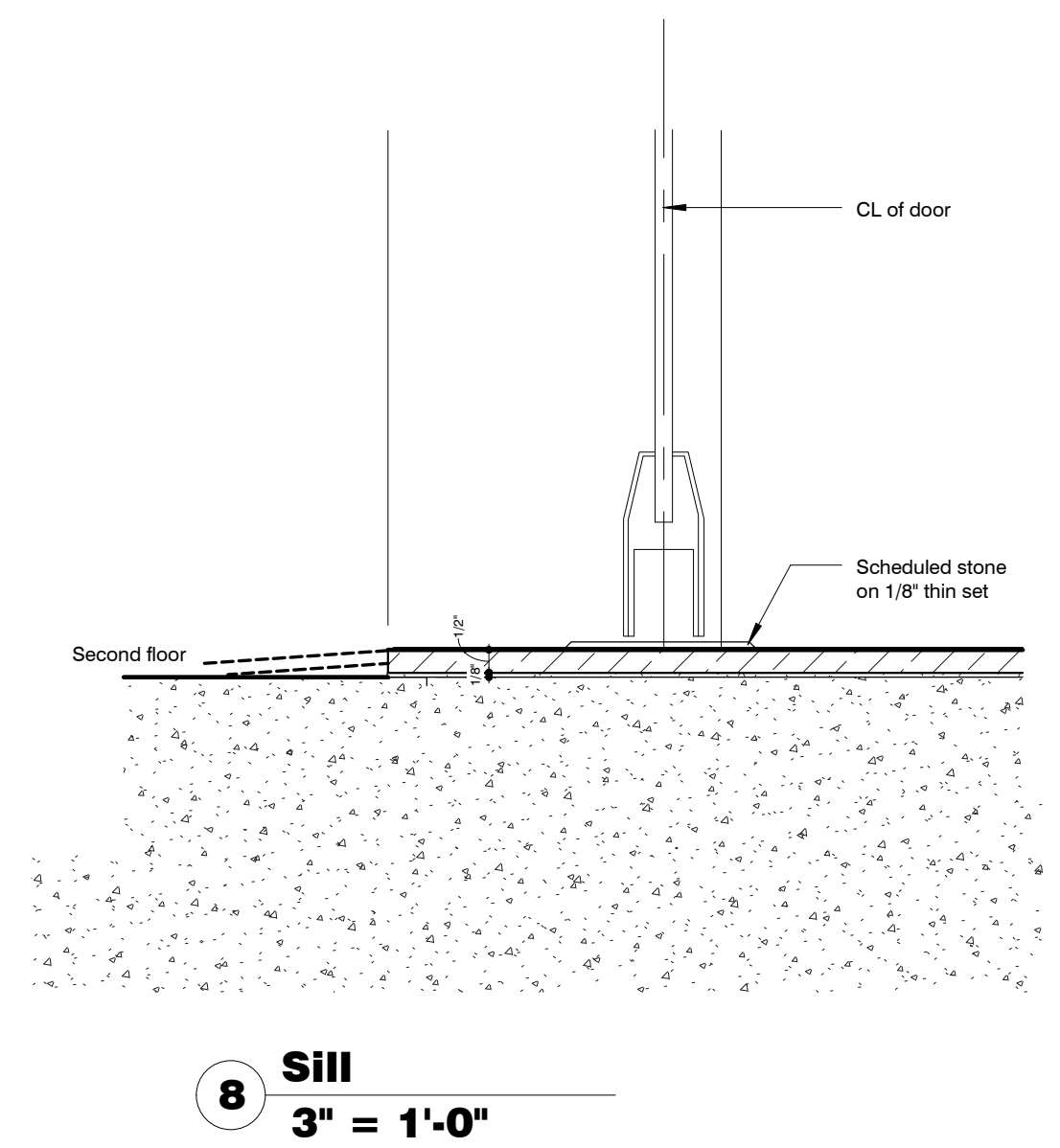
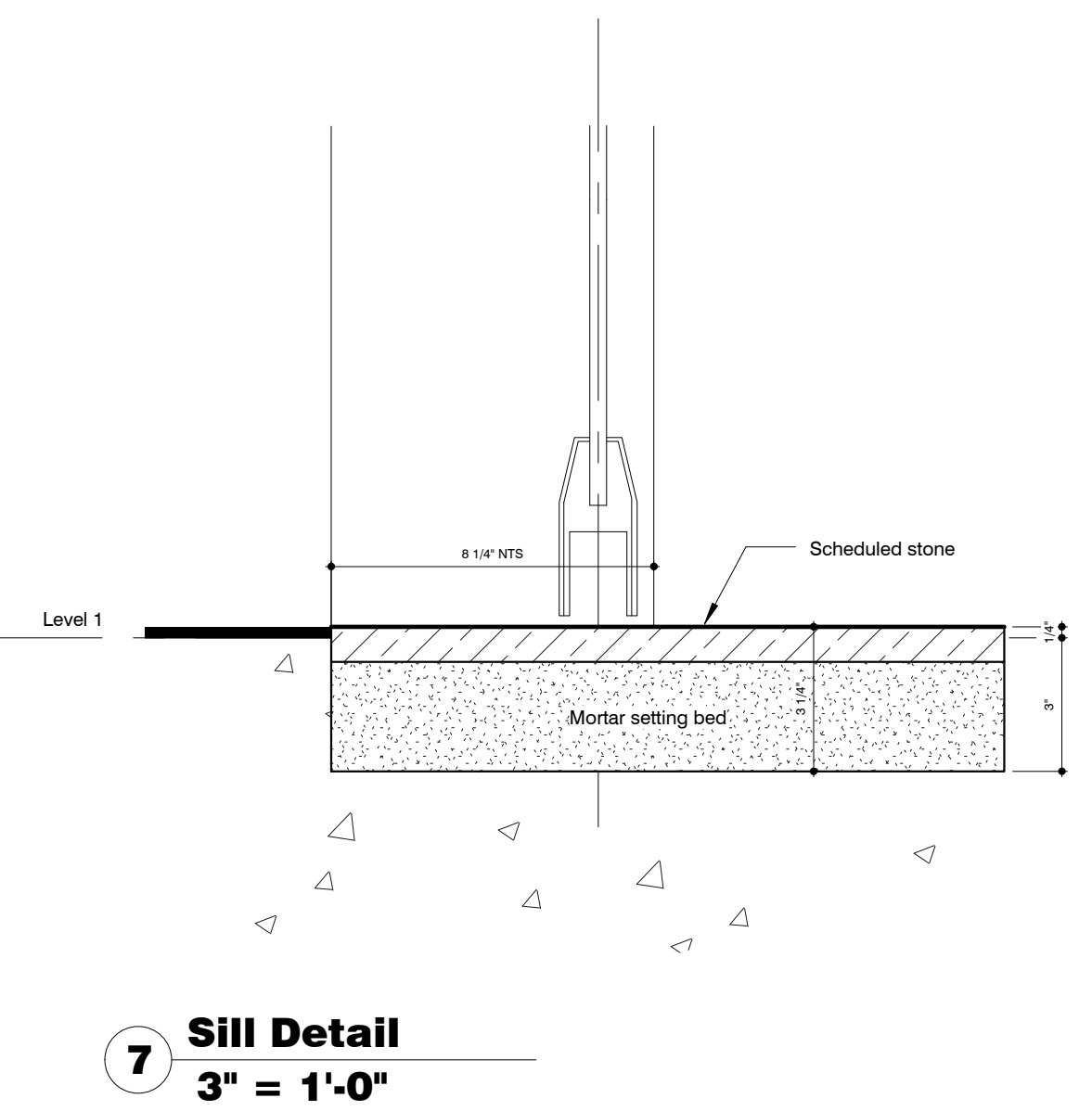
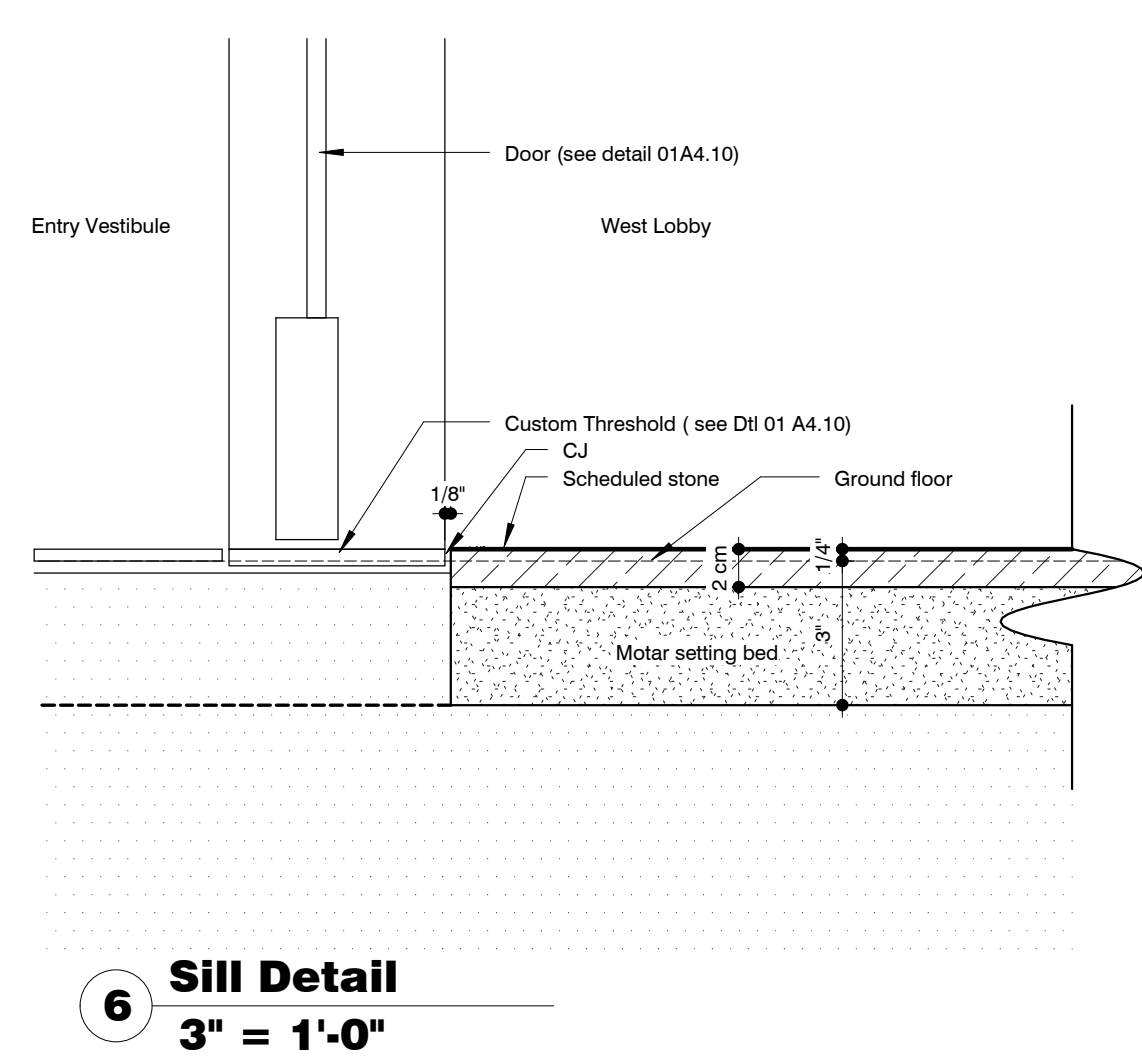
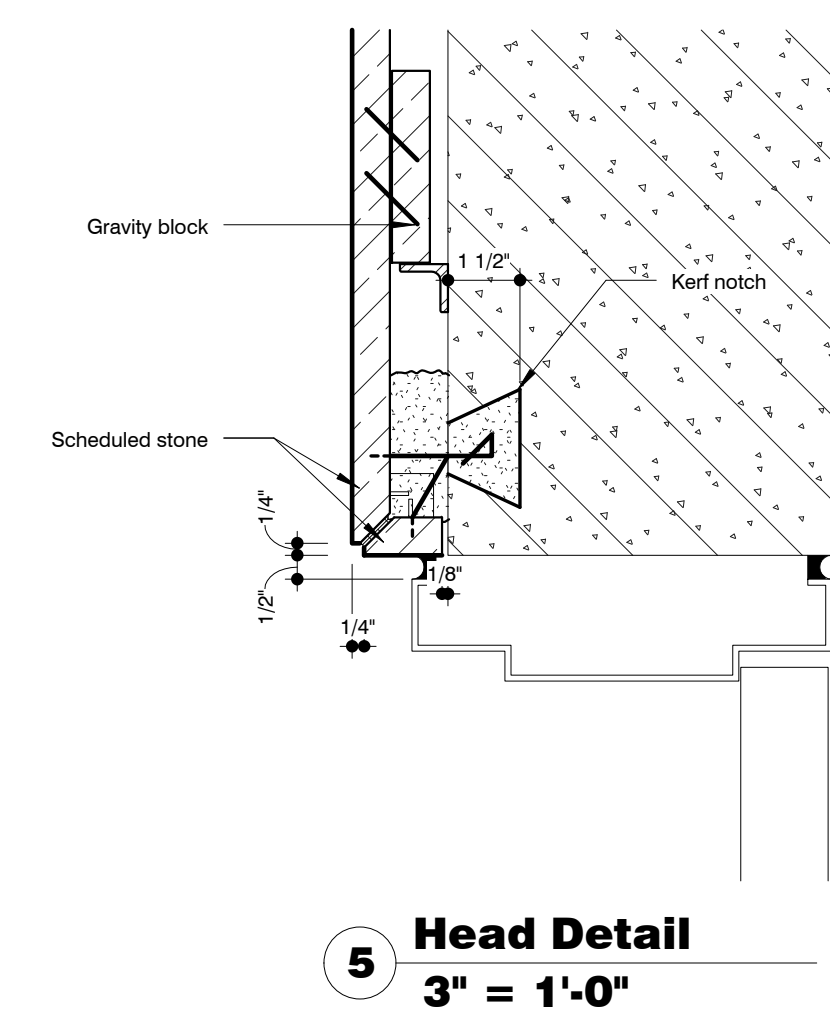
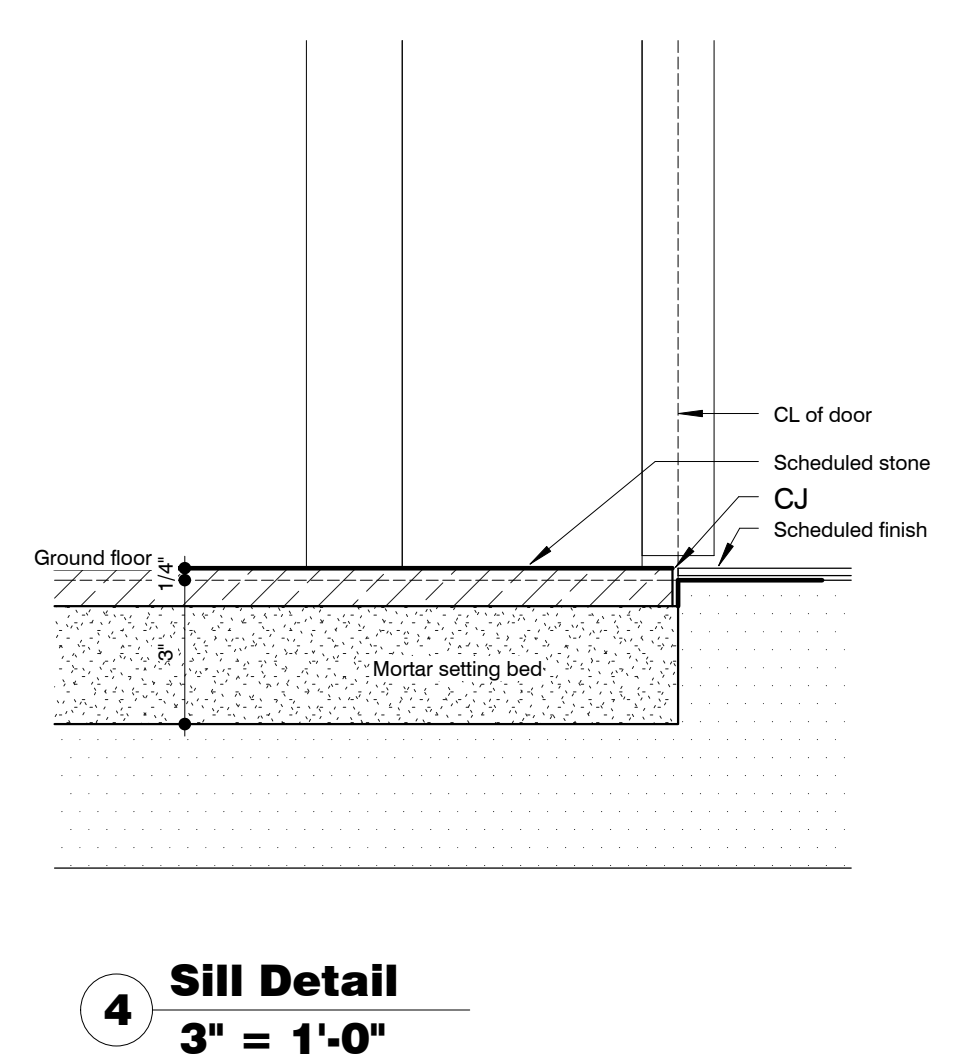
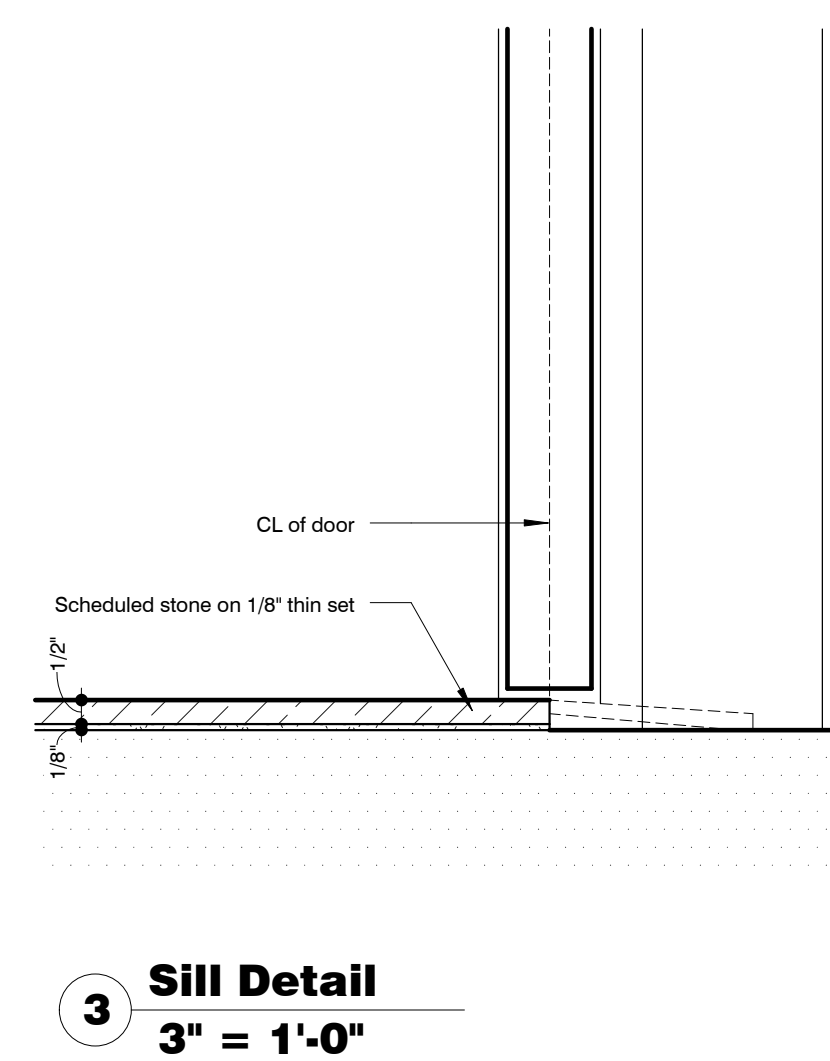
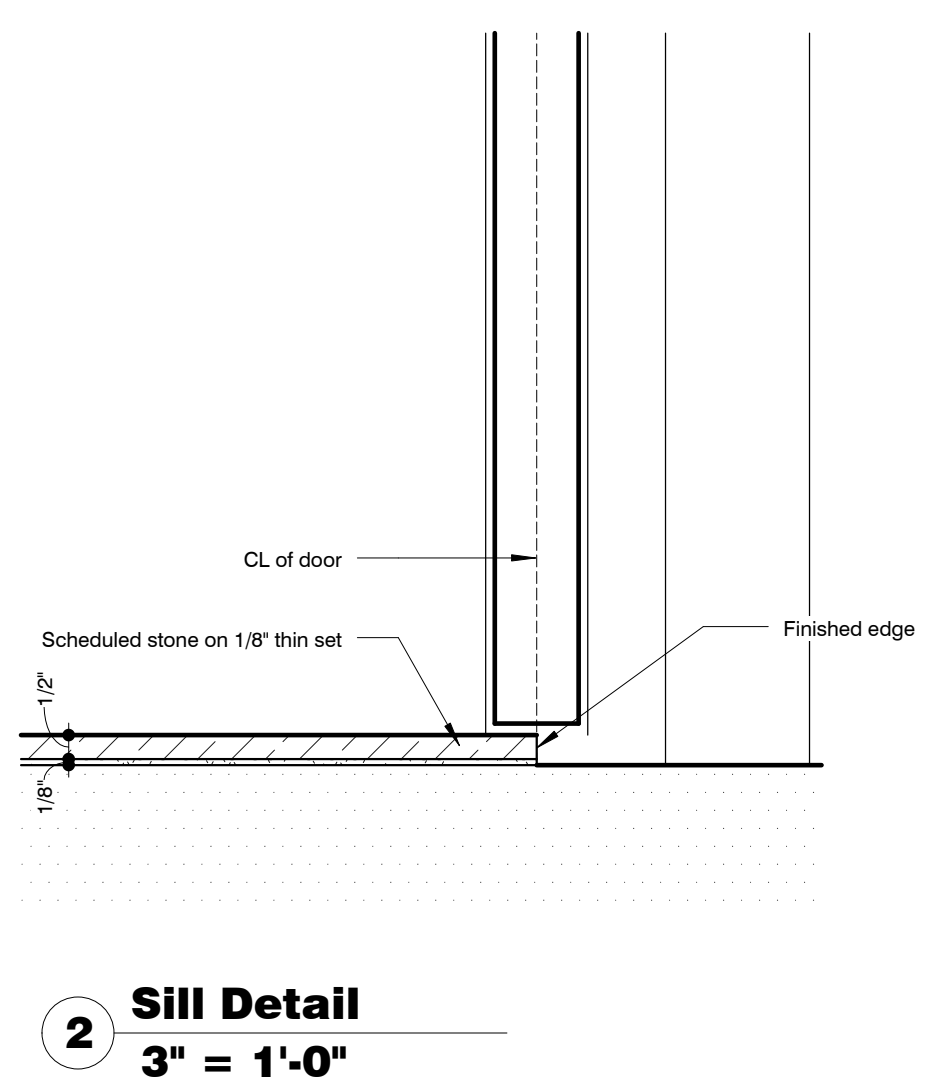
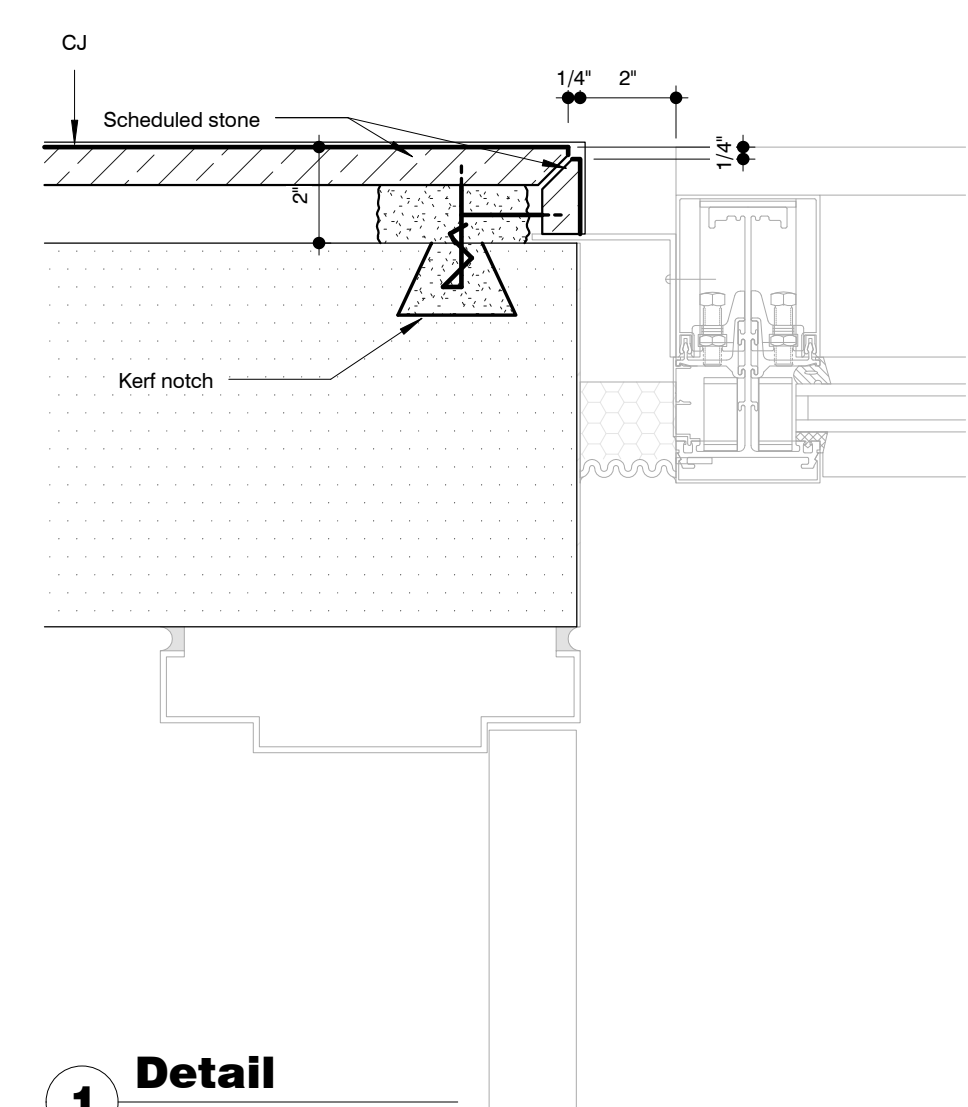
Details

Sheet No.

ST.28

Job No.

Date
9/17/2010
5:03:06 PM



Note: See sheet ST.1 for stone type legend