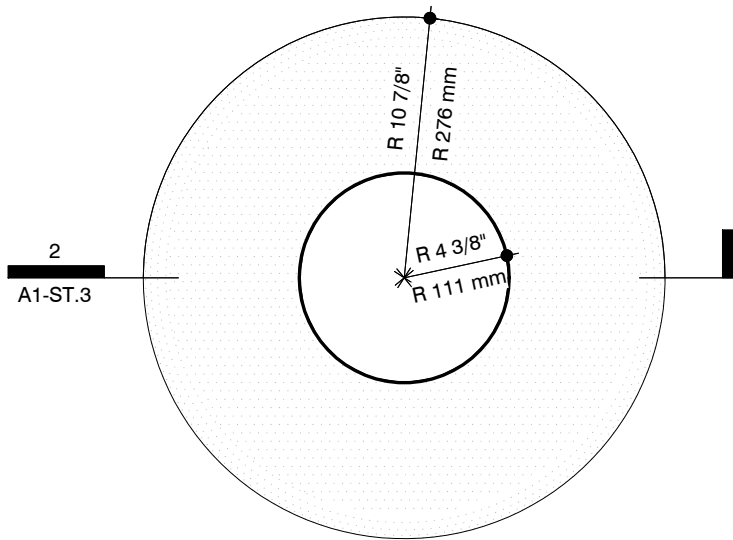
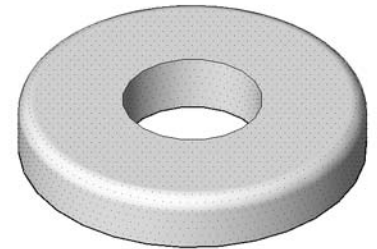
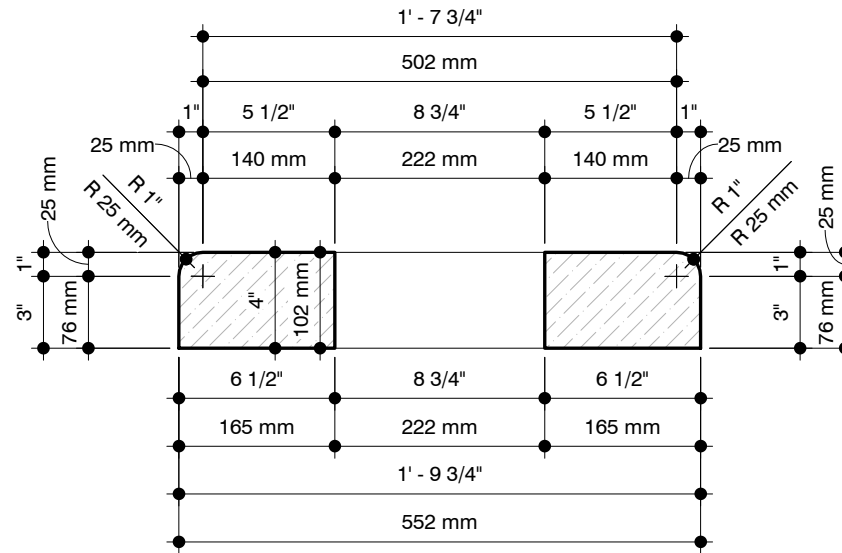


Mark	Sheet Number	Stone Type	Count
A1	ST.3	STN-4	1



**1 Plan**  
 1 1/2" = 1'-0"



**2 Section**  
 1 1/2" = 1'-0"

Sheet 1 of 1 this piece

**Our Lady of Walsingham Catholic Church**  
 7809 Shadyvilla Lane  
 Houston, TX 77055

Date: 03/01/11

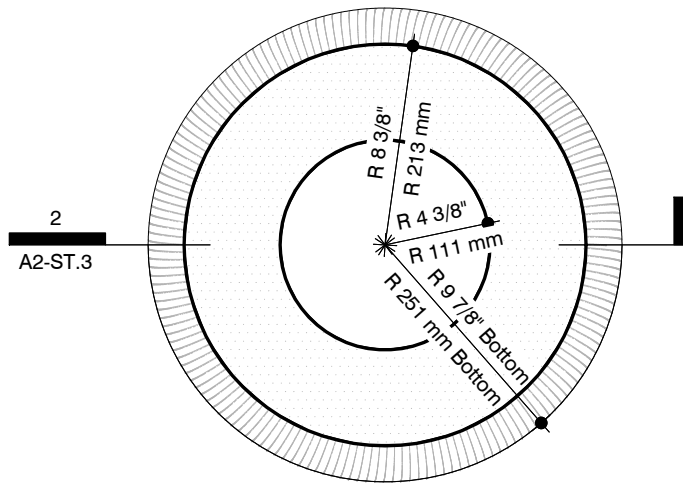
Material: French Limestone

Finish: Polished

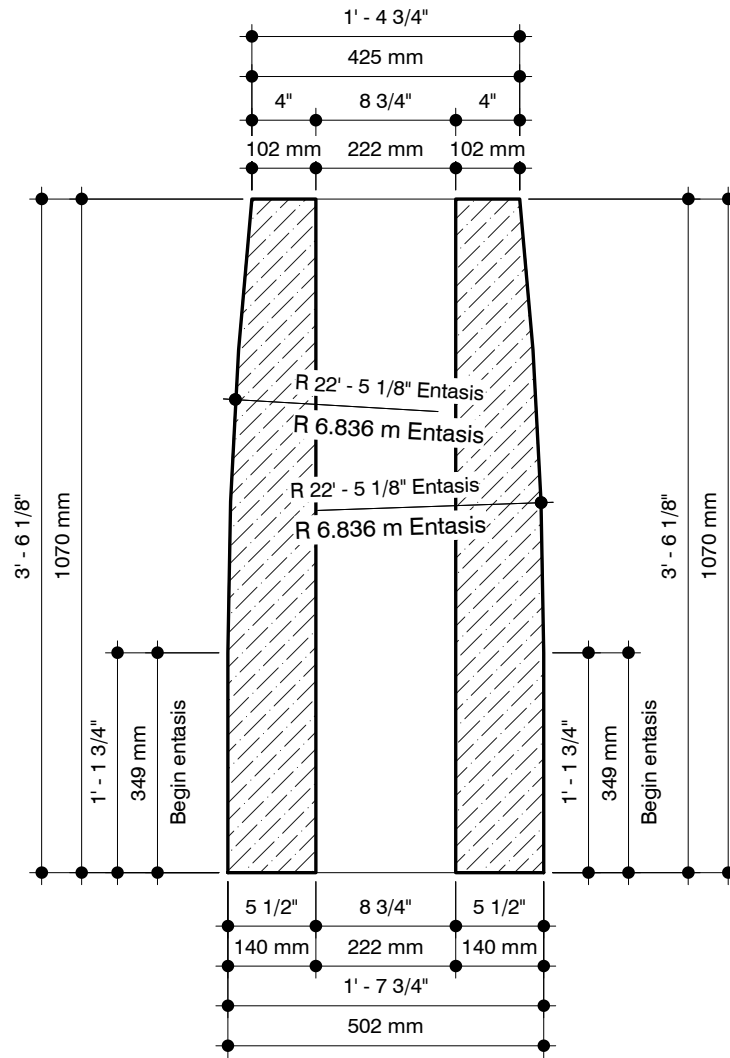
Thickness: 4"

Ticket Number: **A1-ST.3**

Mark	Sheet Number	Stone Type	Count
A2	ST.3	STN-4	1



**1** Plan  
 $1 \frac{1}{2}'' = 1'-0''$



**2** Section  
 $1'' = 1'-0''$



Sheet 1 of 1 this piece

**Our Lady of Walsingham Catholic Church**  
7809 Shadyvilla Lane  
Houston, TX 77055

Date: 03/01/11

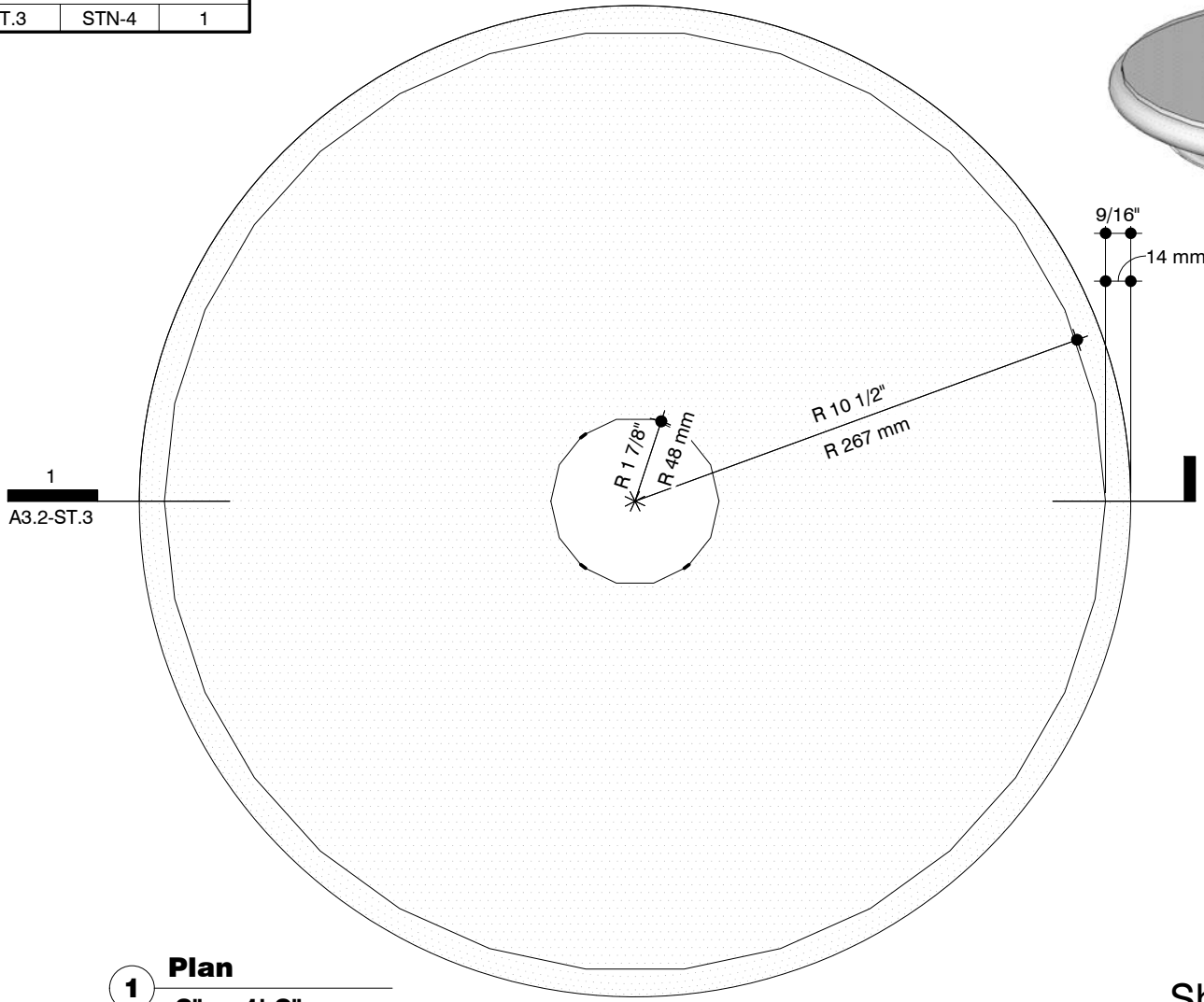
Material: French Limestone

Finish: Polished

Thickness: Varies

Ticket Number: **A2-ST.3**

Mark	Sheet Number	Stone Type	Count
A3	ST.3	STN-4	1



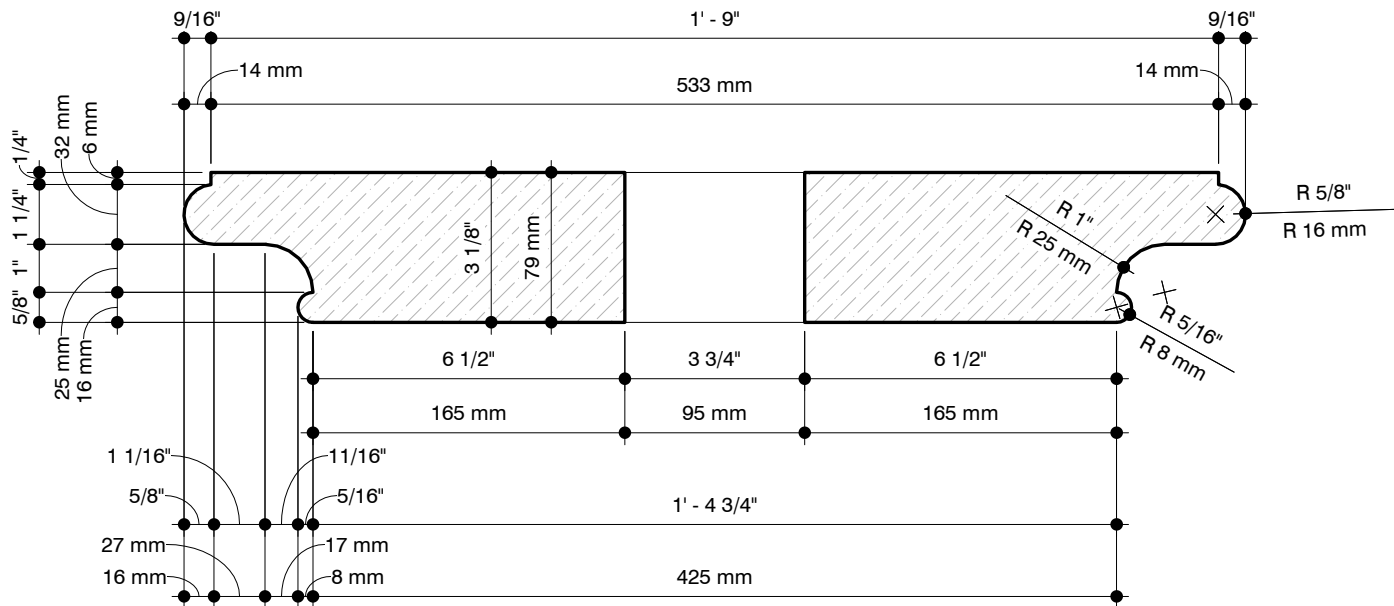
**1** Plan  
3" = 1'-0"

Sheet 1 of 2 this piece

**Our Lady of Walsingham Catholic Church**  
**7809 Shadyvilla Lane**  
**Houston, TX 77055**

Date: 03/01/11	Material: French Limestone	Finish: Polished	Thickness: Varies	Ticket Number: <b>A3.1-ST.3</b>
----------------	----------------------------	------------------	-------------------	---------------------------------

Mark	Sheet Number	Stone Type	Count
A3	ST.3	STN-4	1



**1** Section  
3" = 1'-0"

Sheet 2 of 2 this piece

**Our Lady of Walsingham Catholic Church**  
**7809 Shadyvilla Lane**  
**Houston, TX 77055**

Date: 03/01/11

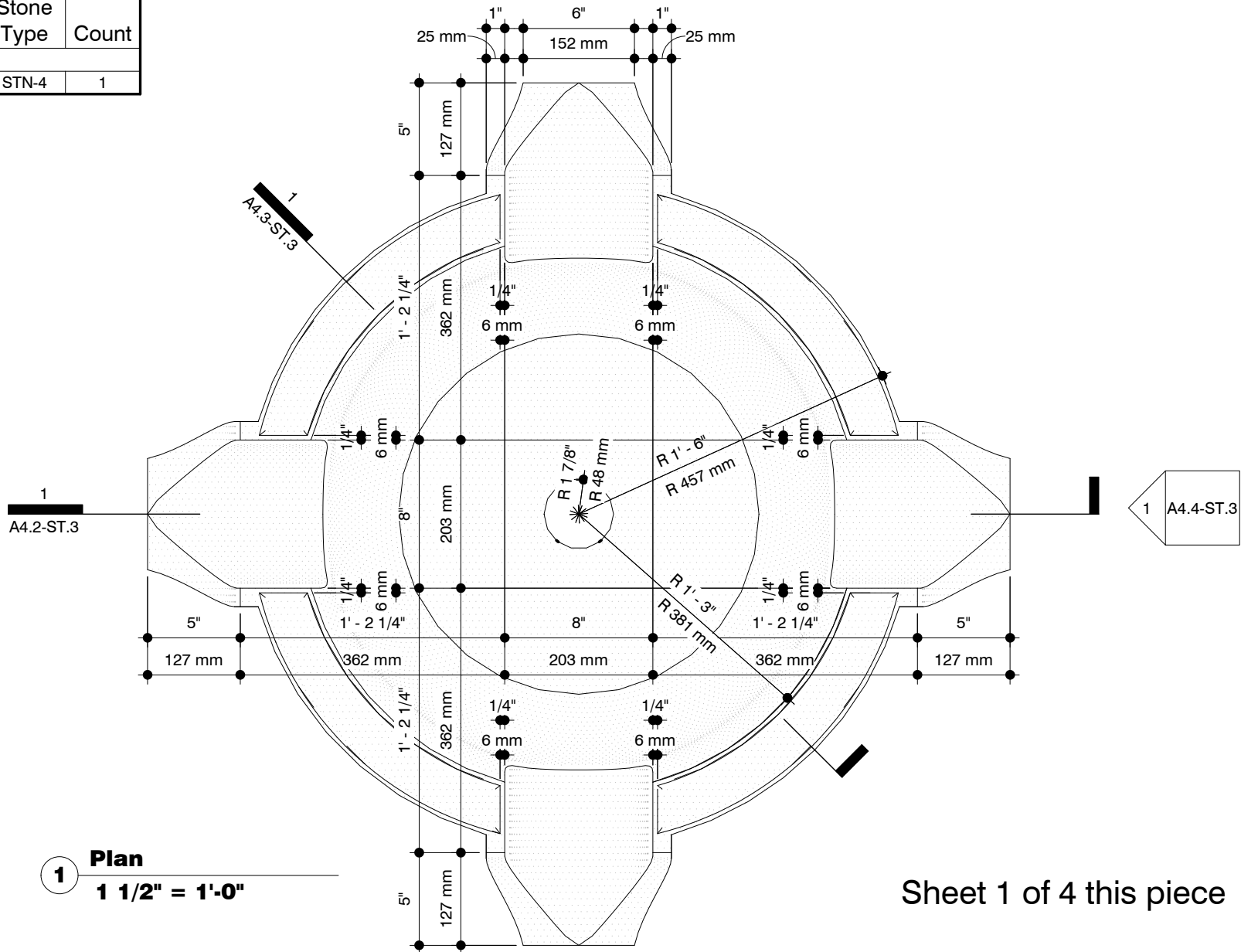
Material: French Limestone

Finish: Polished

Thickness: Varies

Ticket Number: **A3.2-ST.3**

Mark	Sheet Number	Stone Type	Count
A4	ST.3	STN-4	1



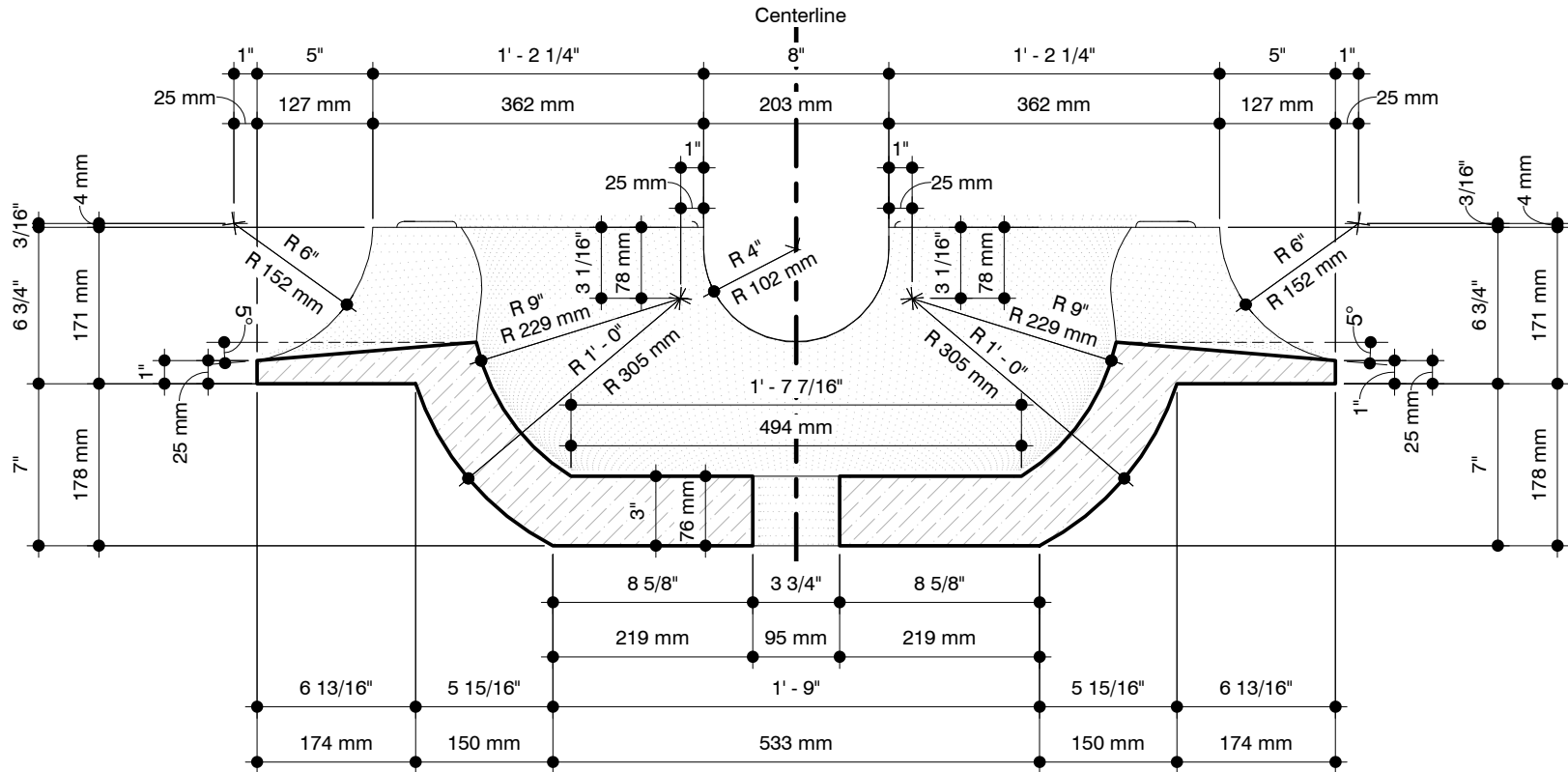
**1** Plan  
 1 1/2" = 1'-0"

Sheet 1 of 4 this piece

**Our Lady of Walsingham Catholic Church**  
 7809 Shadyvilla Lane  
 Houston, TX 77055

Date: 08/23/10	Material: French Limestone	Finish: Polished	Thickness: Varies	Ticket Number: <b>A4.1-ST.3</b>
----------------	----------------------------	------------------	-------------------	---------------------------------

Mark	Sheet Number	Stone Type	Count
A4	ST.3	STN-4	1



**Section 1**  
**1 1/2" = 1'-0"**

Sheet 2 of 4 this piece

**Our Lady of Walsingham Catholic Church**  
**7809 Shadyvilla Lane**  
**Houston, TX 77055**

Date: 02/28/11

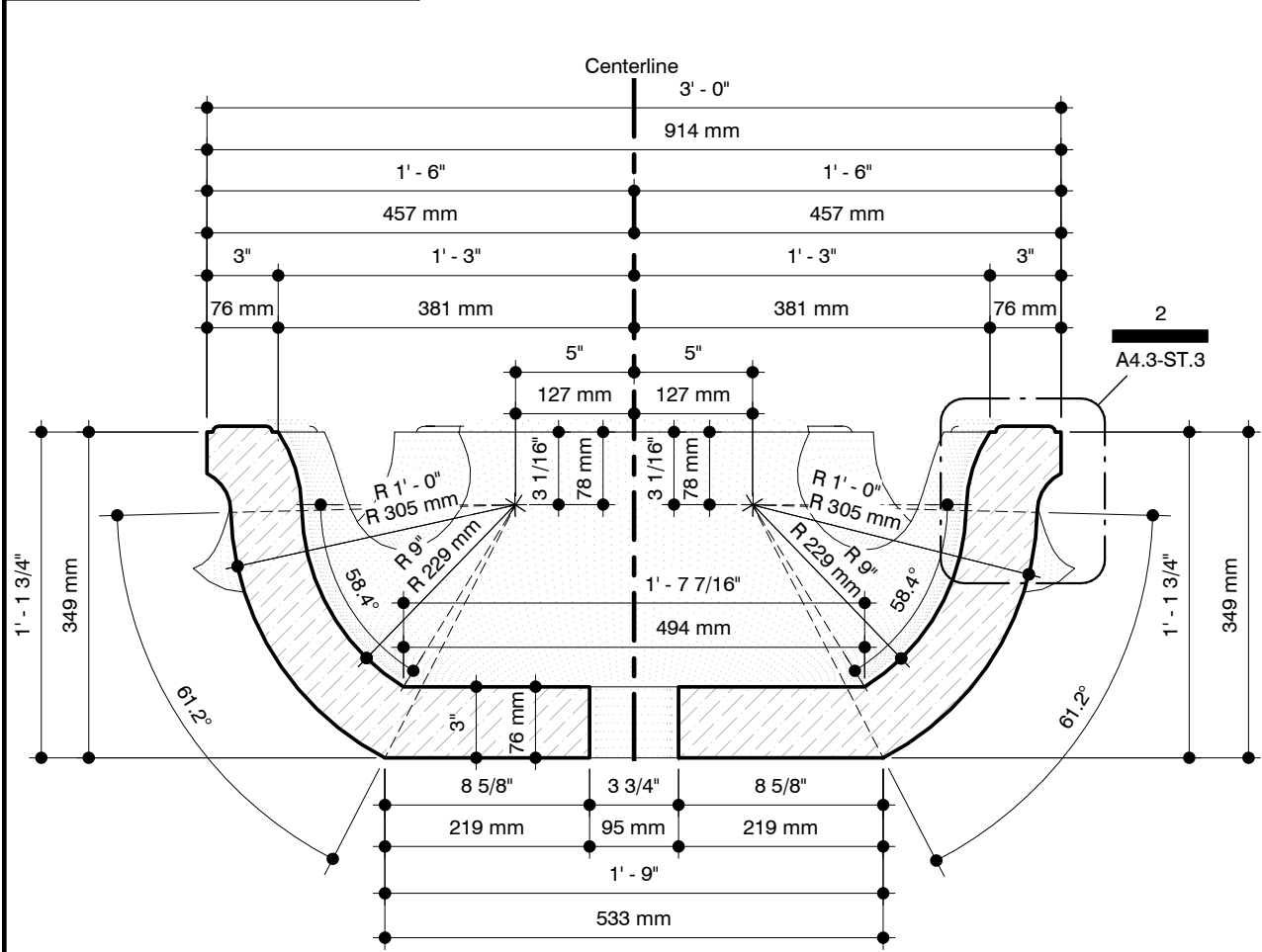
Material: French Limestone

Finish: Polished

Thickness: Varies

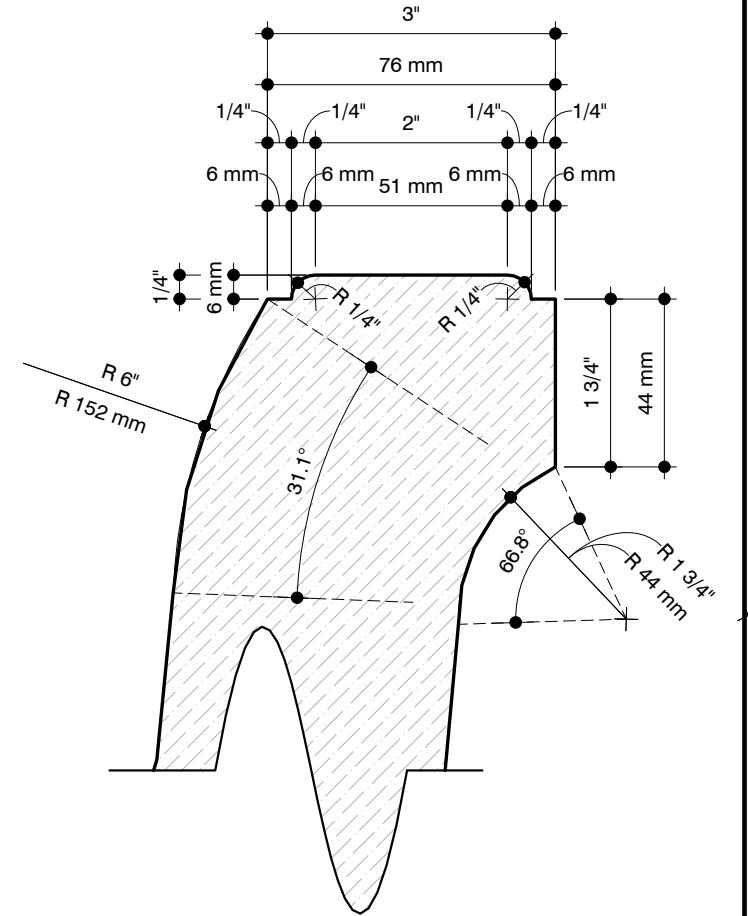
Ticket Number: **A4.2-ST.3**

Mark	Sheet Number	Stone Type	Count
A4	ST.3	STN-4	1



**1** Section  
1 1/2" = 1'-0"

Sheet 3 of 4 this piece



**2** Edge  
6" = 1'-0"

**Our Lady of Walsingham Catholic Church**  
7809 Shadyvilla Lane  
Houston, TX 77055

Date: 03/01/11

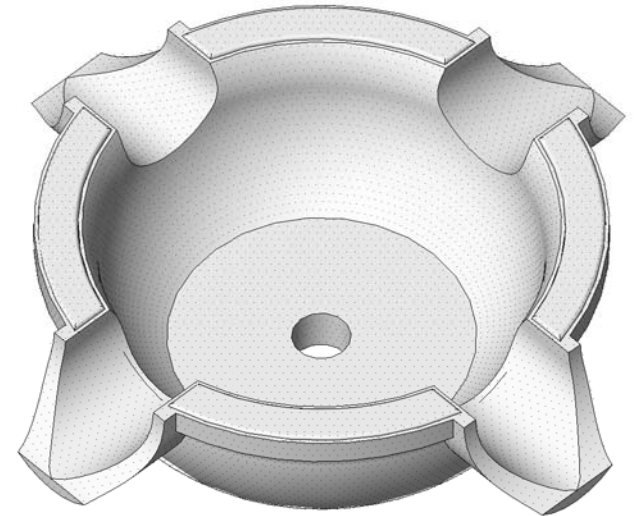
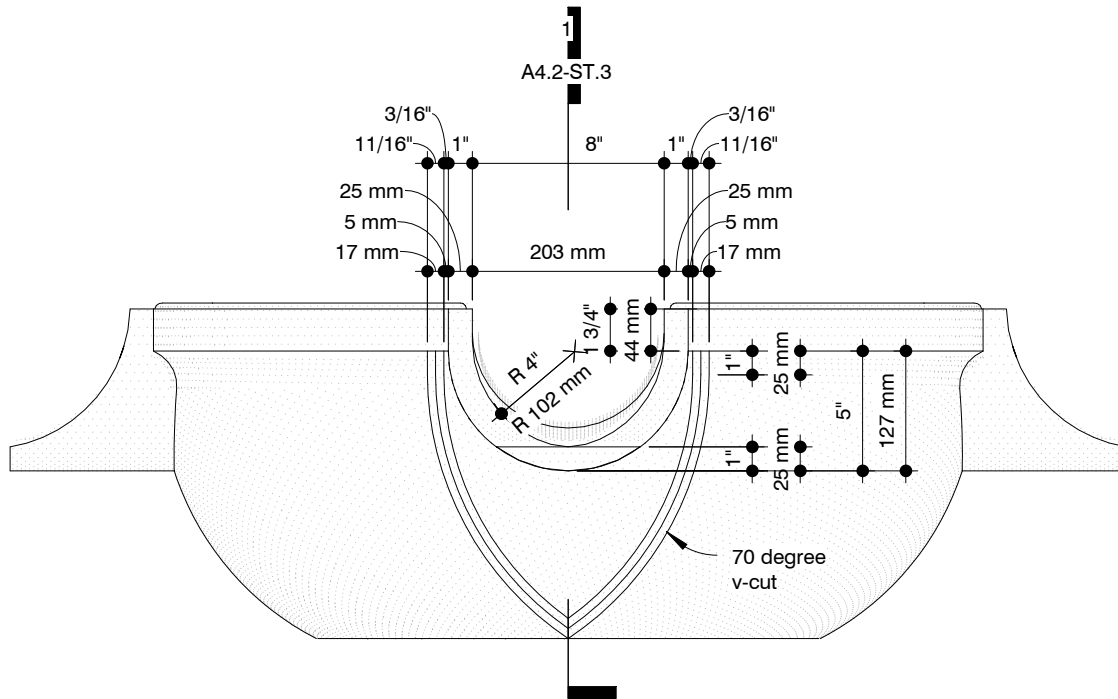
Material: French Limestone

Finish: Polished

Thickness: Varies

Ticket Number: **A4.3-ST.3**

Mark	Sheet Number	Stone Type	Count
A4	ST.3	STN-4	1



1 Elevation  
 1 1/2" = 1'-0"

Sheet 4 of 4 this piece

**Our Lady of Walsingham Catholic Church**  
 7809 Shadyvilla Lane  
 Houston, TX 77055

Date: 03/01/11

Material: French Limestone

Finish: Polished

Thickness: Varies

Ticket Number: **A4.4-ST.3**