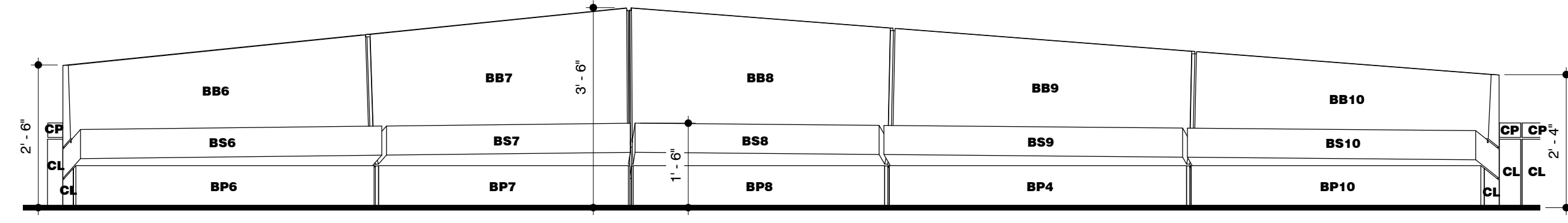
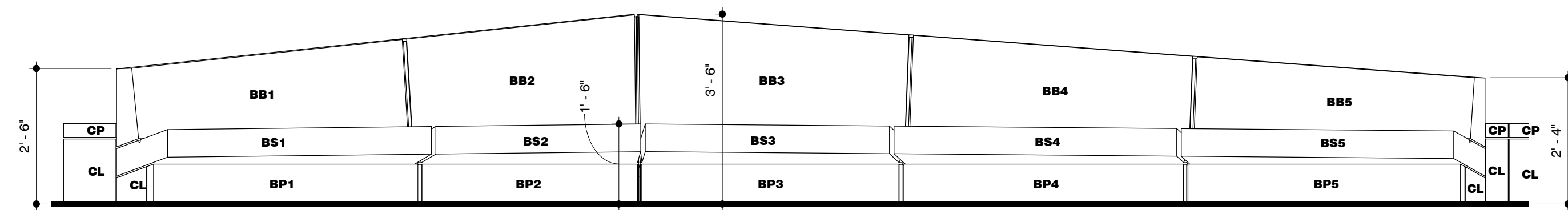


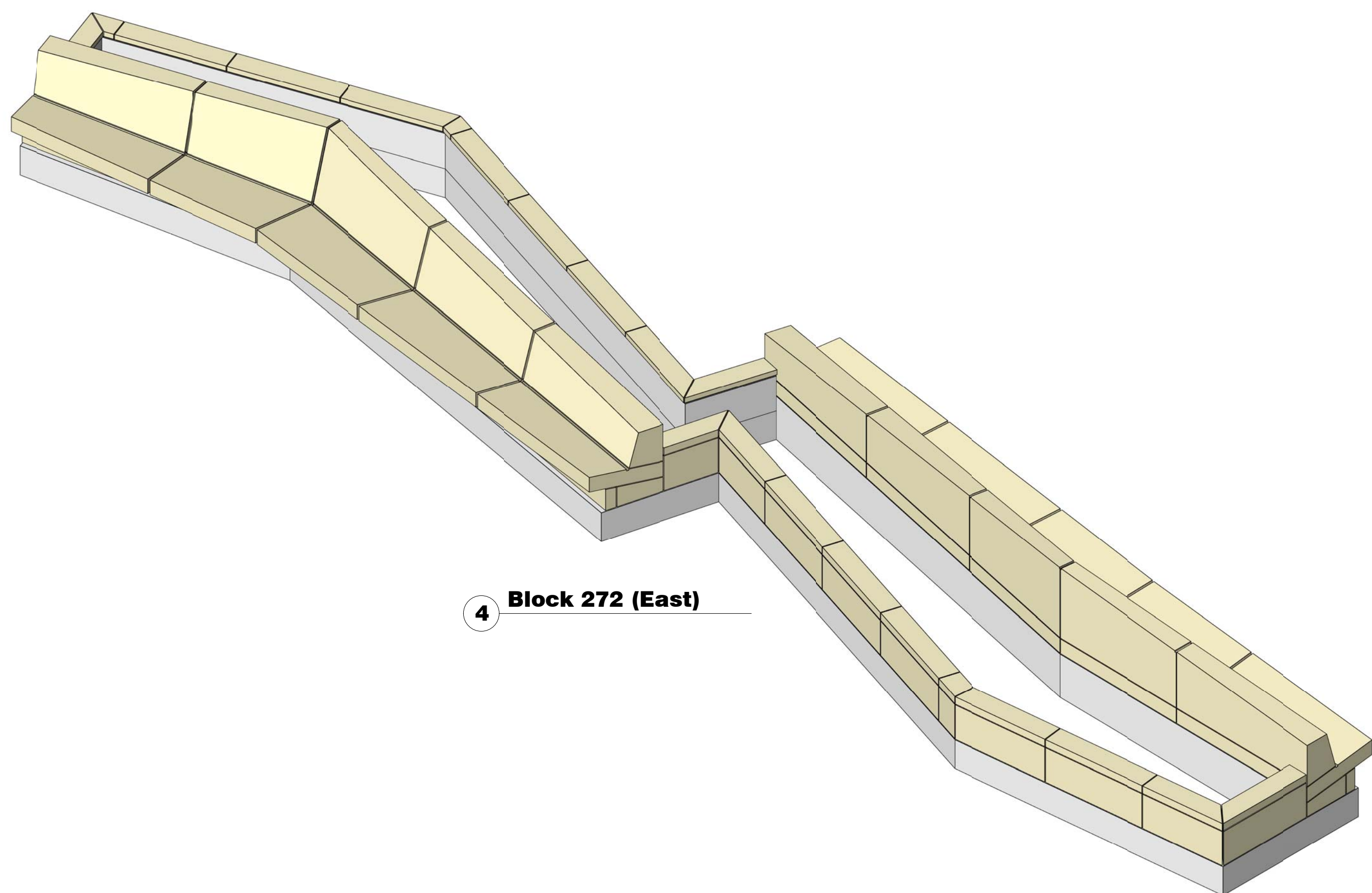
1 Block 272 (East) Plan
1/2" = 1'-0"



2 Block 272 (East) North Elevation
1/2" = 1'-0"



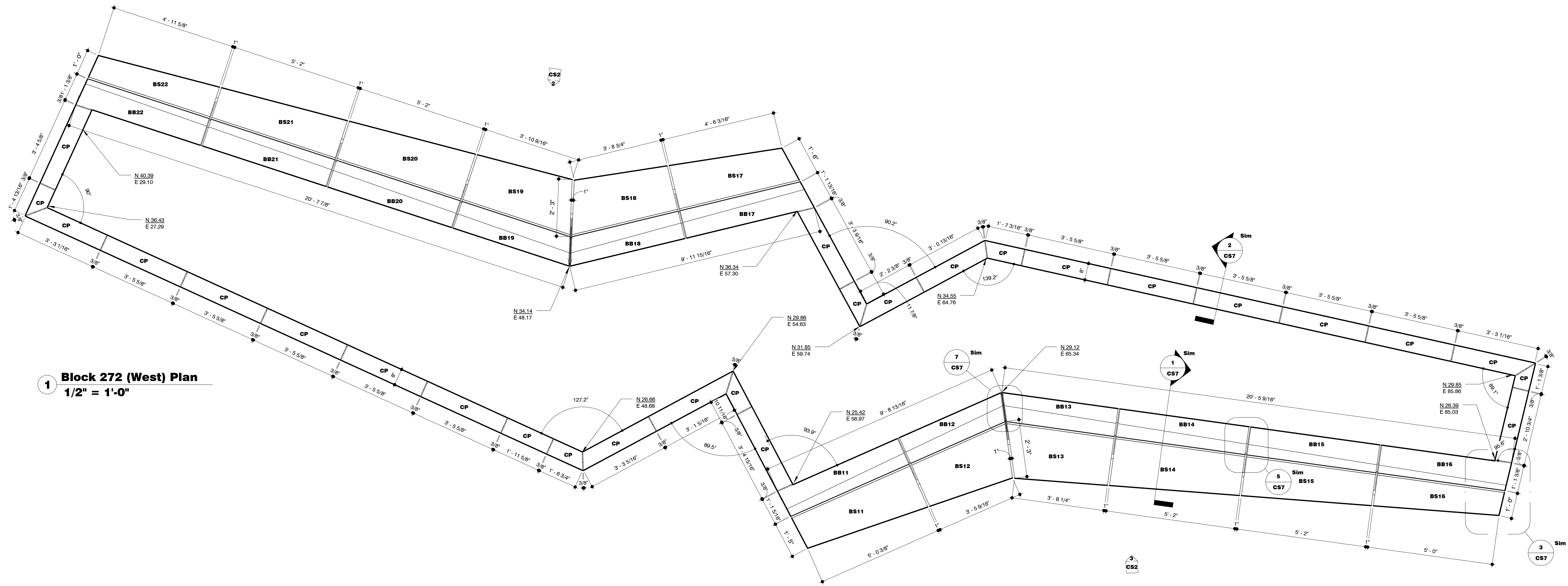
3 Block 272 (East) South Elevation
1/2" = 1'-0"



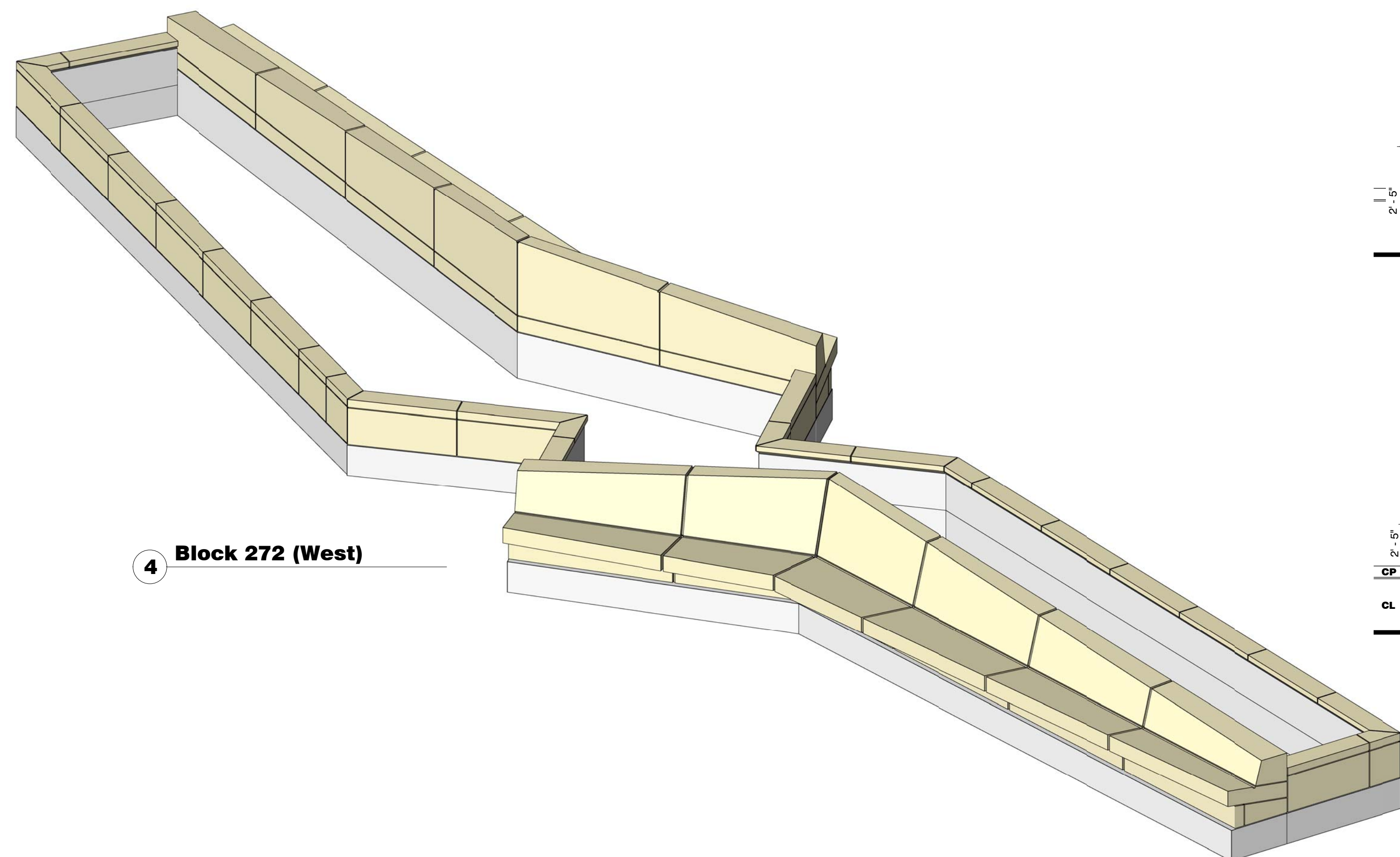
4 Block 272 (East)

Note: All planter wall cladding and coping to be field cut to length and angle.

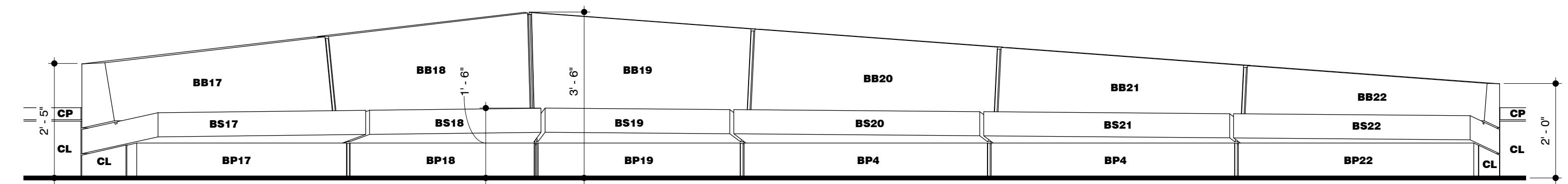
CAST STONE SHEET NUMBER CS1	PROJECT NAME : Houston Pavilions	SCALE :	REV.#	DESCRIPTION	DATE
	SHEET NAME : Block 272 (East)	PROJ.# :			
OF: 7	DRAWN BY : Author				



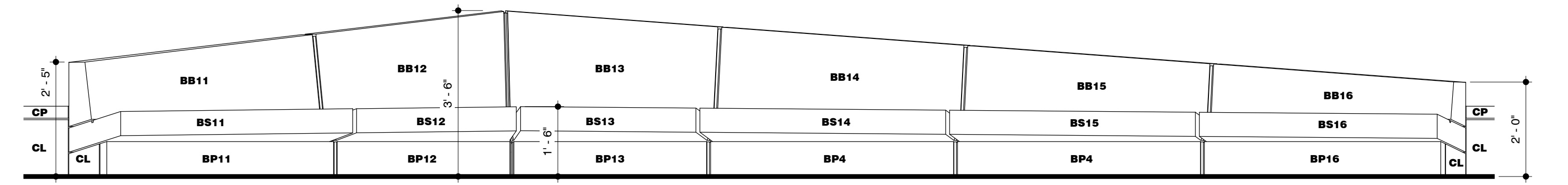
1 Block 272 (West) Plan
1/2" = 1'-0"



4 Block 272 (West)



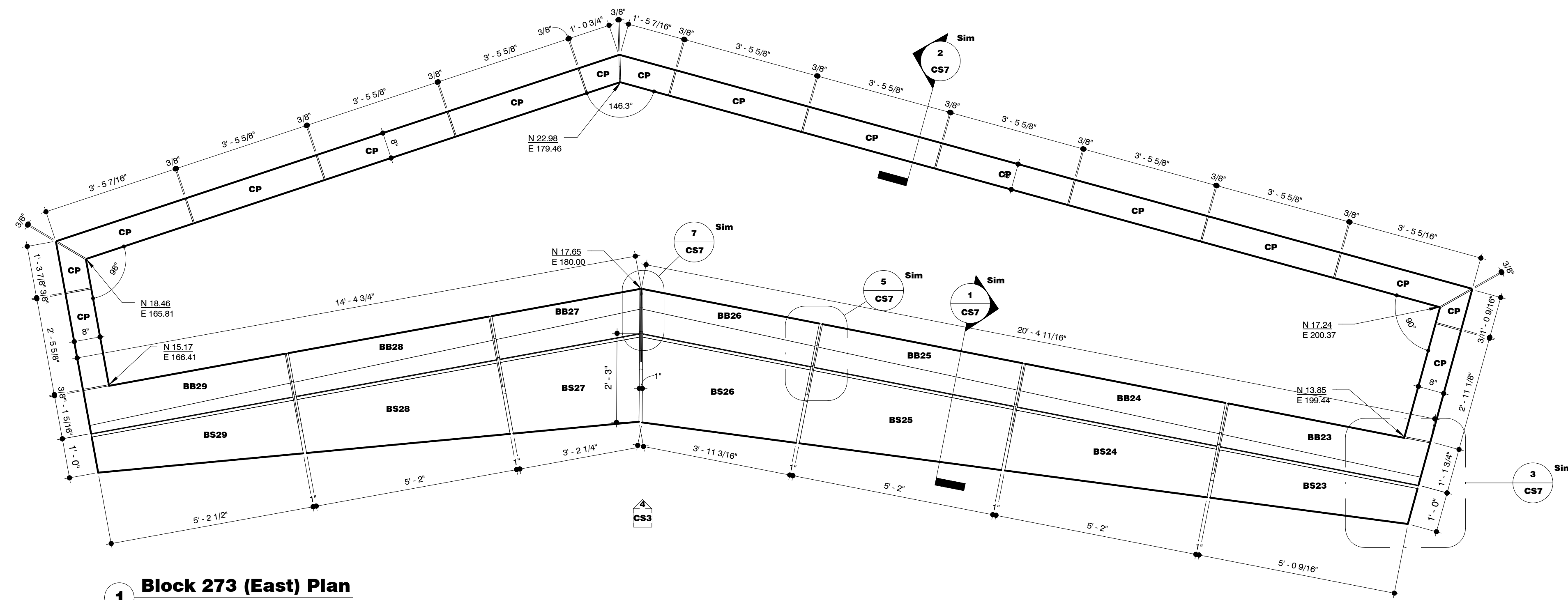
2 Block 272 (West) North Elevation
1/2" = 1'-0"



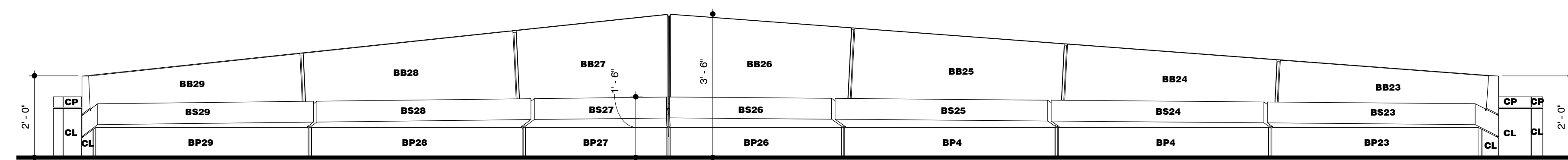
3 Block 272 (West) South Elevation
1/2" = 1'-0"

Note: All planter wall cladding and coping to be field cut to length and angle.

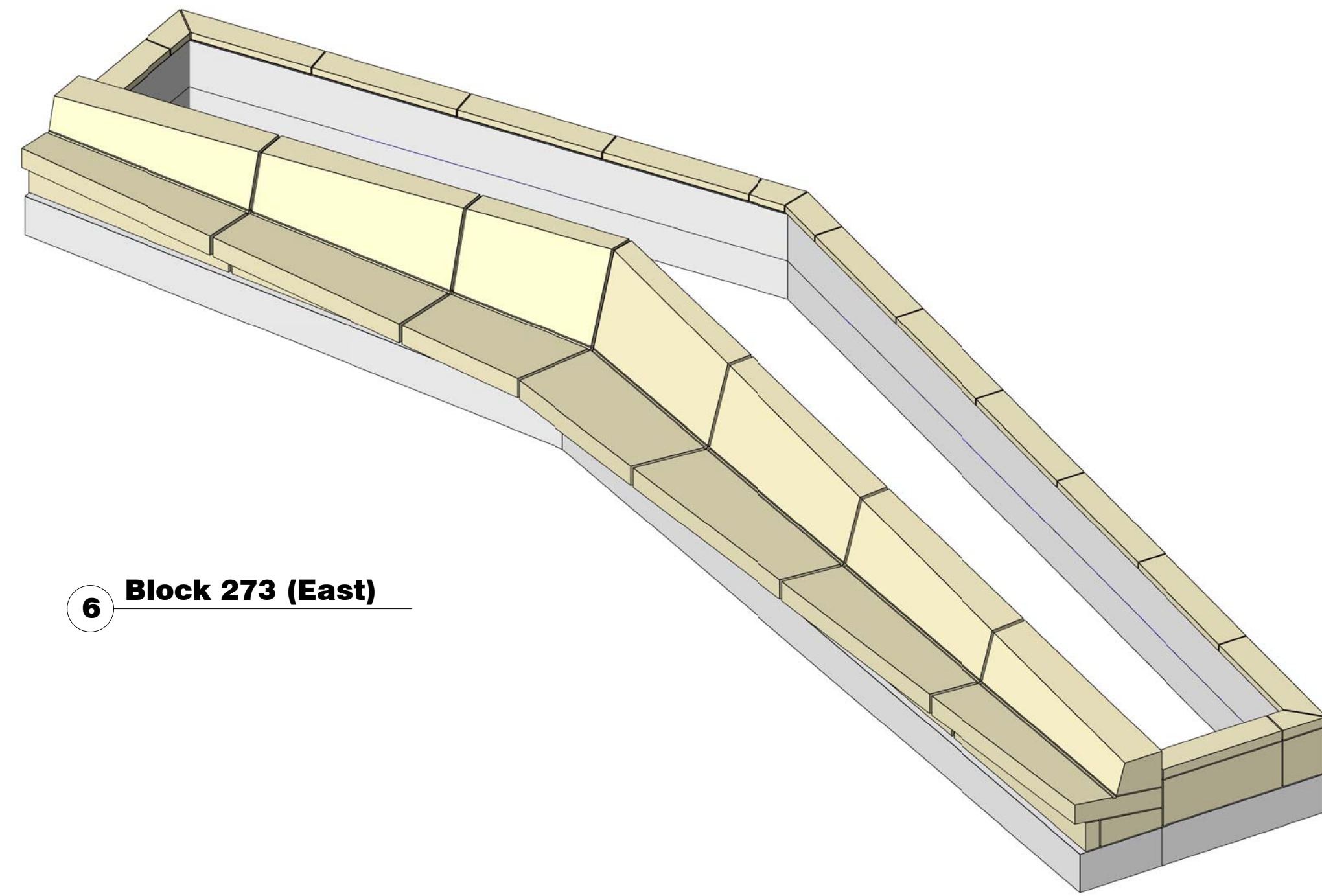
CAST STONE SHEET NUMBER CS2	PROJECT NAME : Houston Pavilions	SCALE :	REV.#	DESCRIPTION	DATE
	SHEET NAME : Block 272 (West)	PROJ.# :			
OF: 7	DRAWN BY : Author				
	DATE :				



1 Block 273 (East) Plan
1/2" = 1'-0"



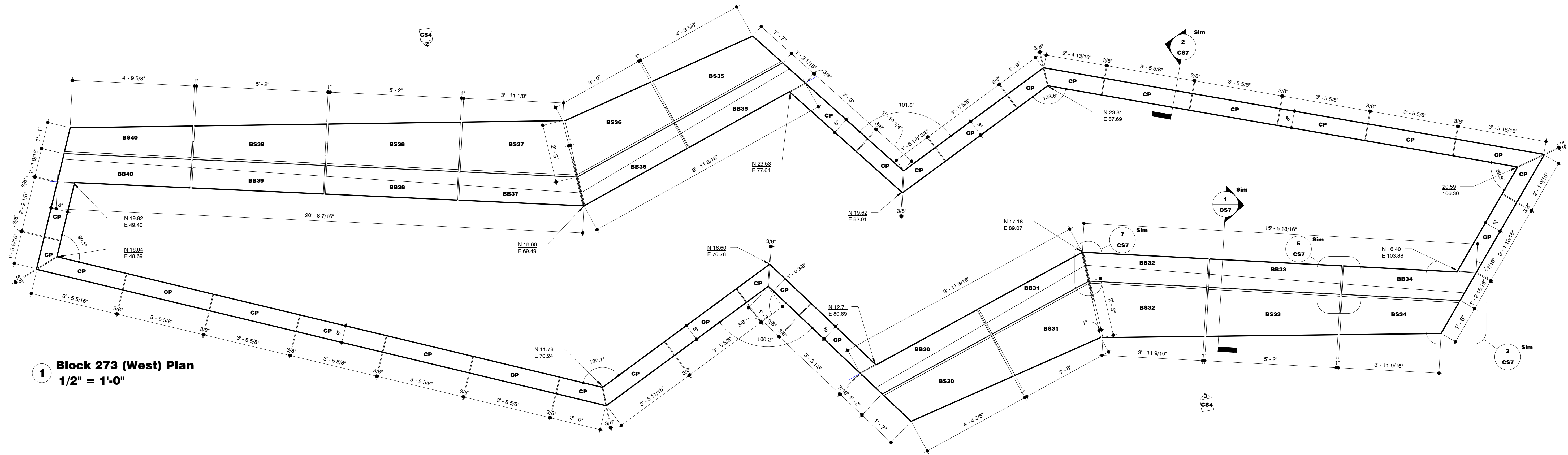
4 Block 273 (East) South Elevation
1/2" = 1'-0"



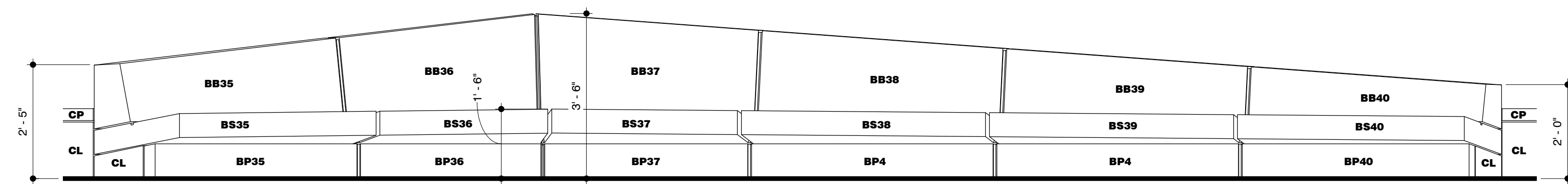
6 Block 273 (East)

CAST STONE	PROJECT NAME : Houston Pavilions	SCALE :	DESCRIPTION	DATE
	SHEET NUMBER CS3	PROJ. # :	REV. #	
OF: 7	SHEET NAME : Block 273 (East)	DRAWN BY : Author		

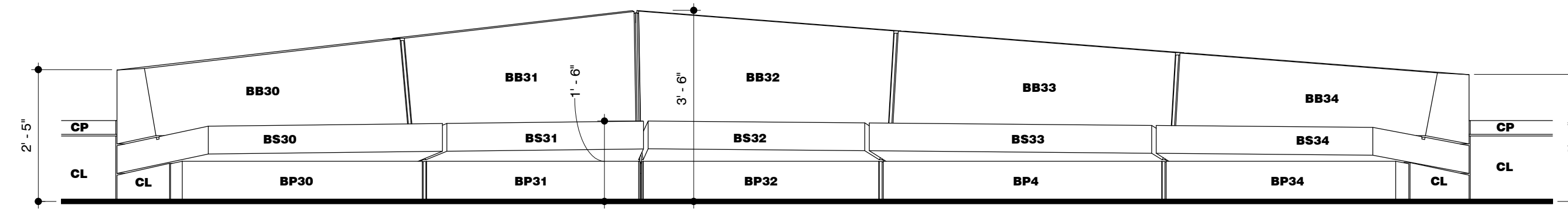
Note: All planter wall cladding and coping to be field cut to length and angle.



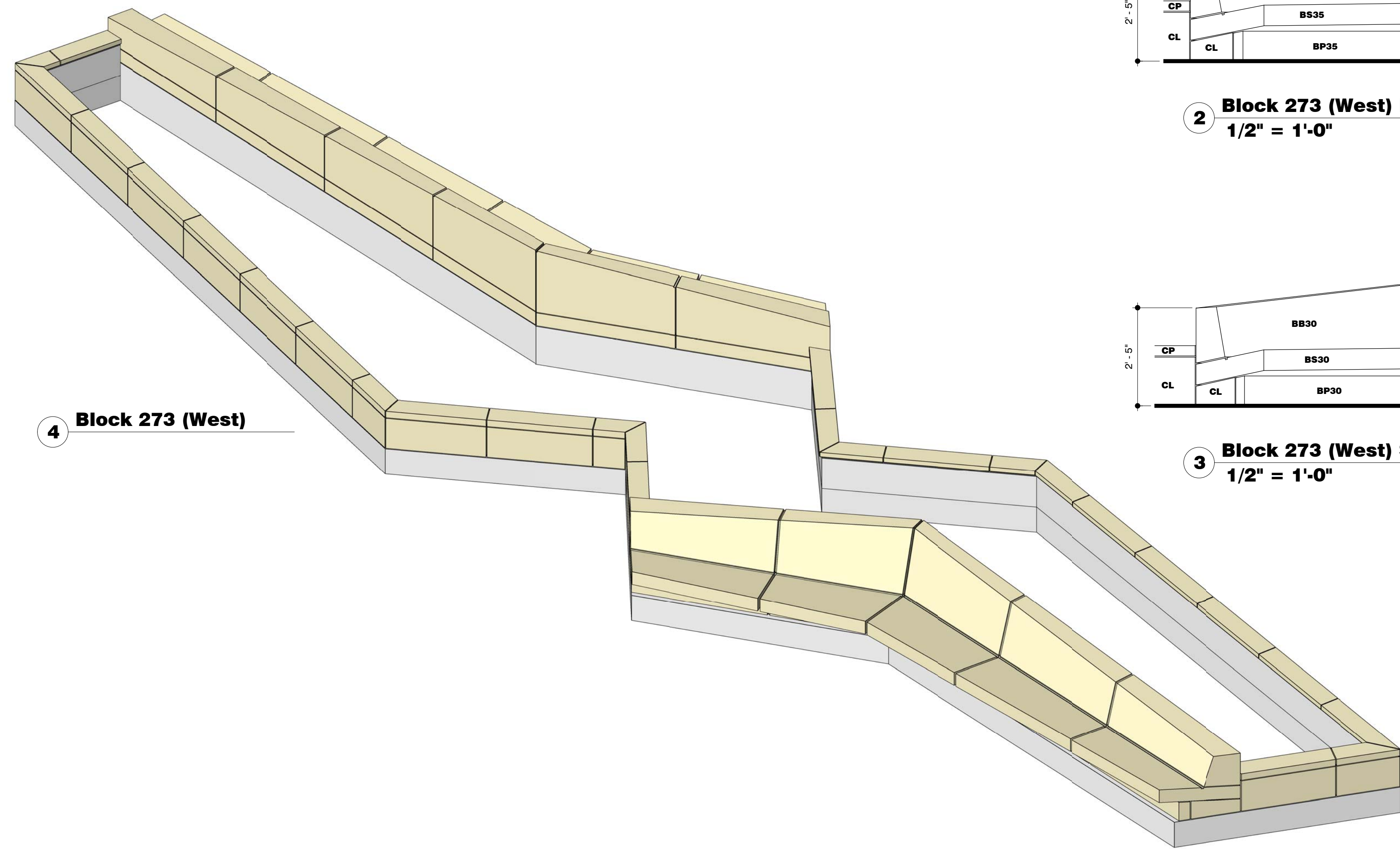
1 Block 273 (West) Plan
 1/2" = 1'-0"



2 Block 273 (West) North Elevation
 1/2" = 1'-0"



3 Block 273 (West) South Elevation
 1/2" = 1'-0"



4 Block 273 (West)

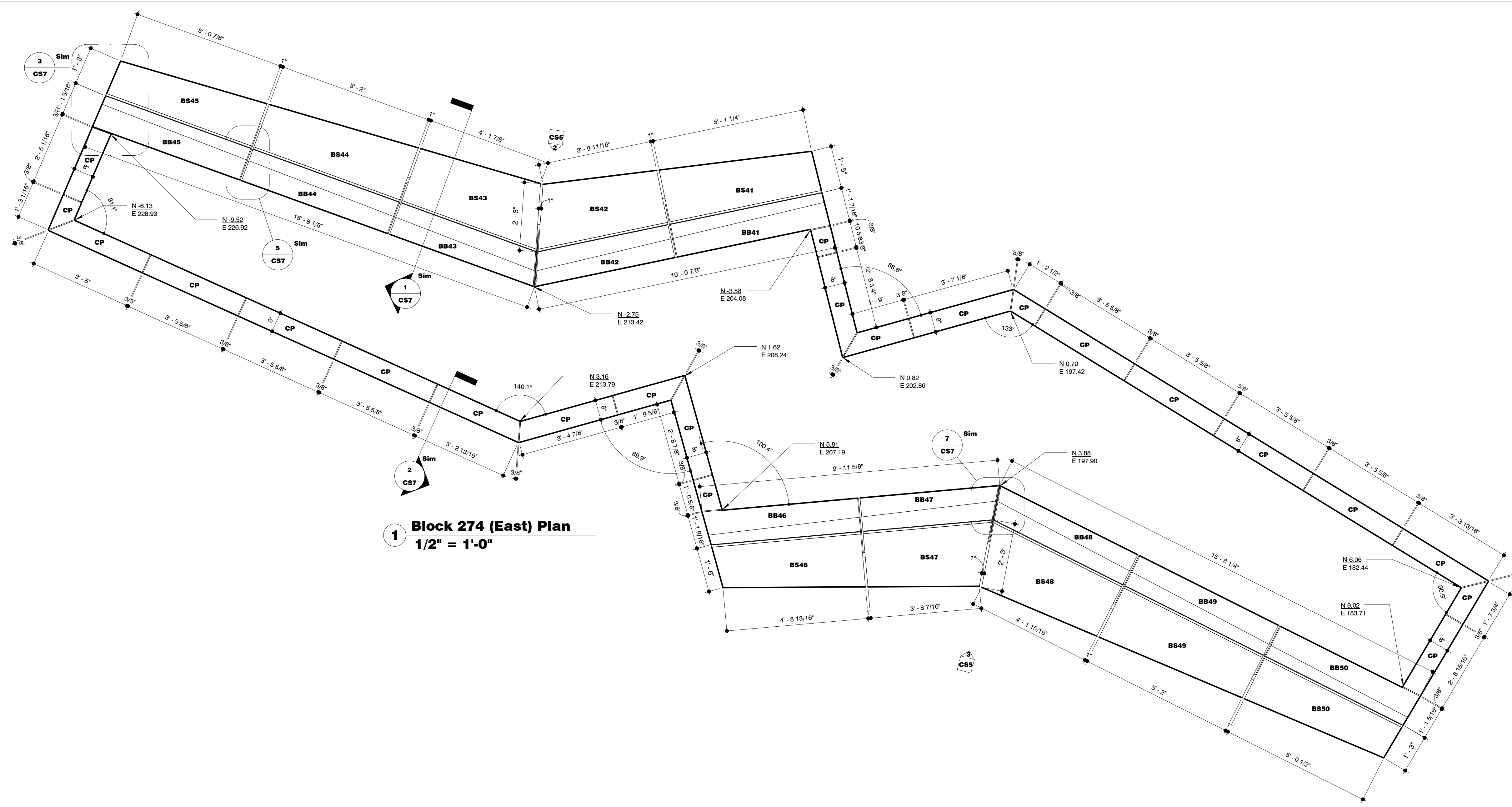
REV.#	DESCRIPTION	DATE

SCALE:	PROJ.#:	DRAWN BY: Author

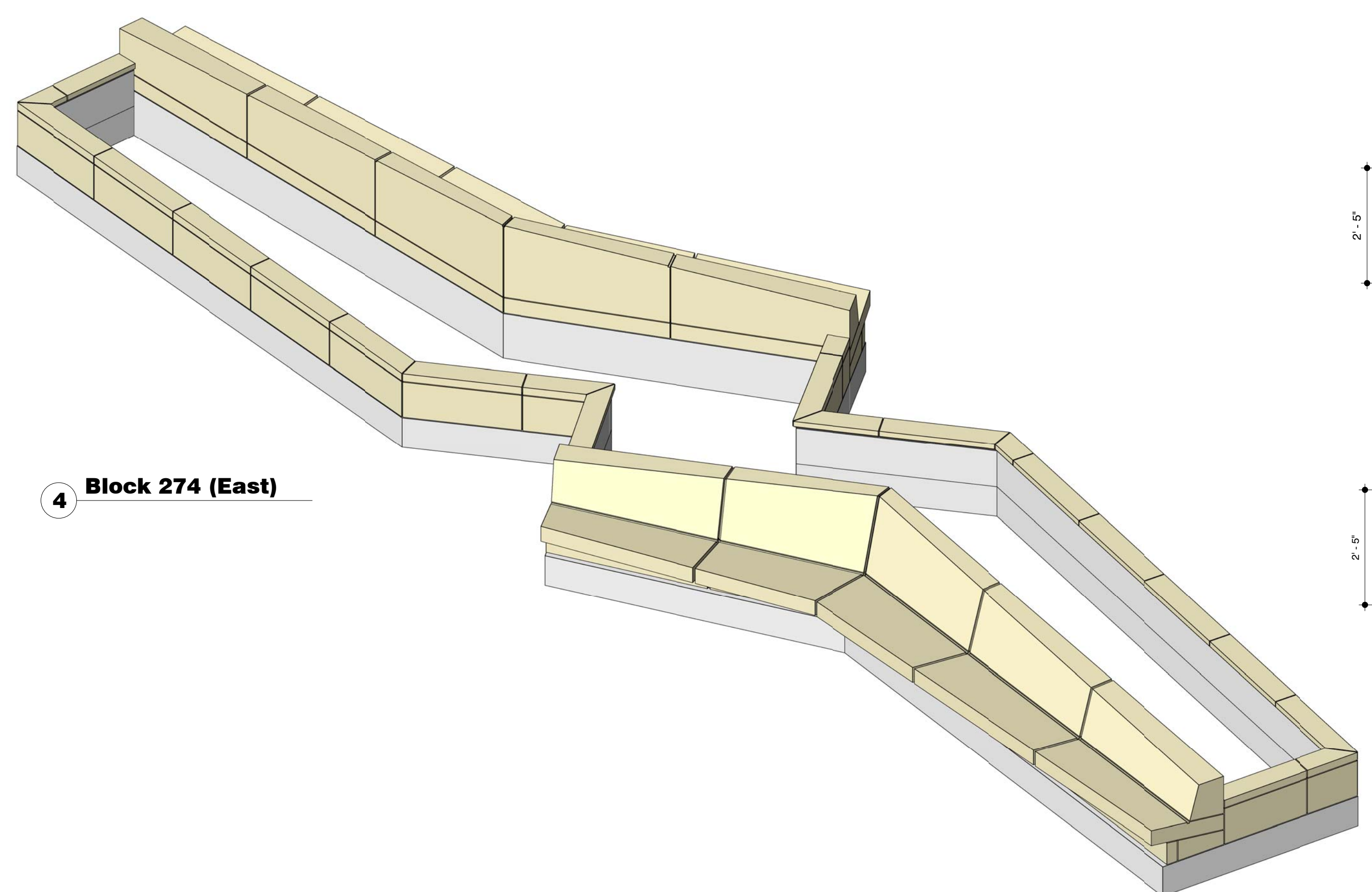
PROJECT NAME : Houston Pavilions
SHEET NAME : Block 273 (West)

C <small>AST</small> S <small>TONE</small>
S <small>HEET</small> N <small>UMBER</small>
CS4
O <small>F</small> : 7

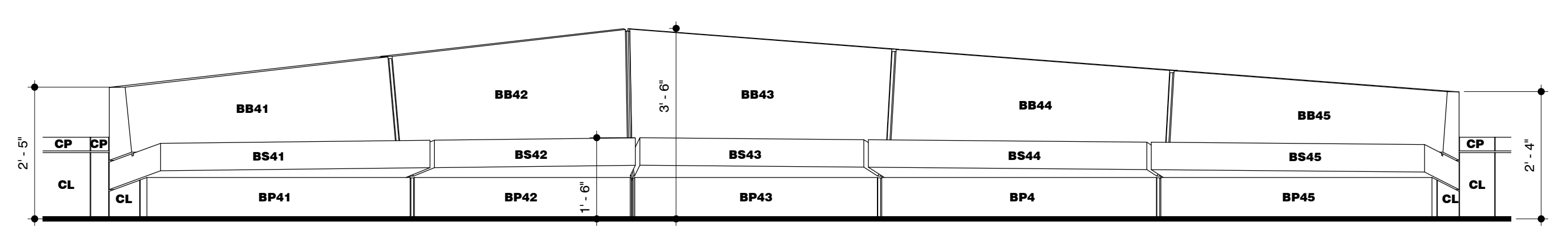
Note: All planter wall cladding and coping to be field cut to length and angle.



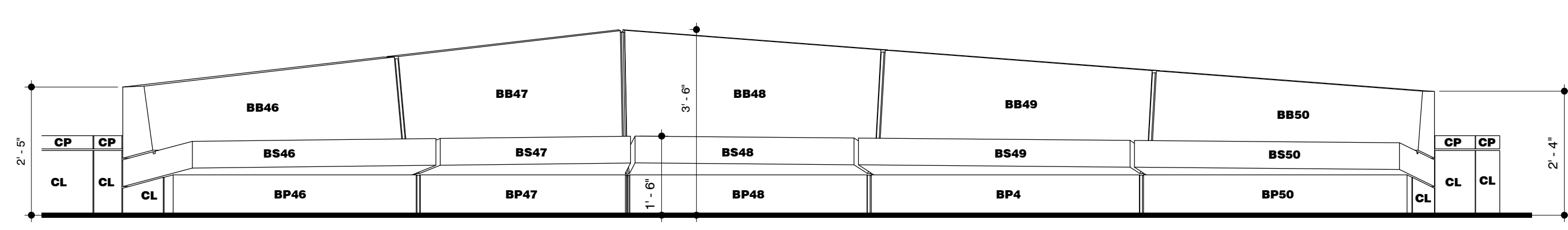
1 Block 274 (East) Plan
1/2" = 1'-0"



4 Block 274 (East)



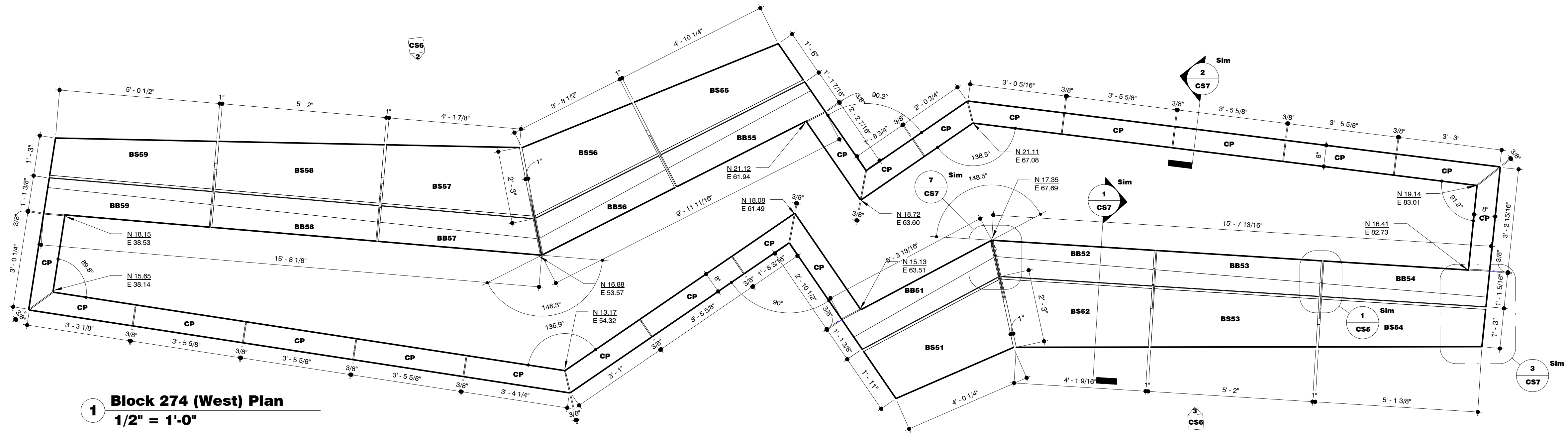
2 Block 274 (East) North Elevation
1/2" = 1'-0"



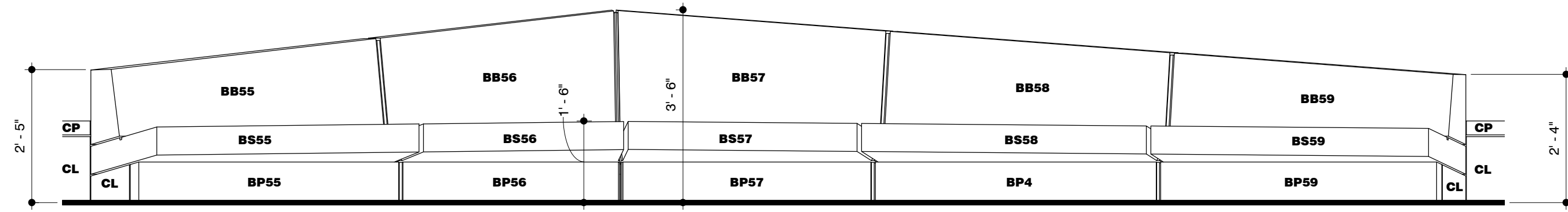
3 Block 274 (East) South Elevation
1/2" = 1'-0"

CAST STONE SHEET NUMBER CS5 OF: 7	PROJECT NAME : Houston Pavilions	SCALE :	REV.#	DESCRIPTION	DATE
	SHEET NAME : Block 274 (East)	PROJ.# :			
		DRAWN BY : Author			
		DATE :			

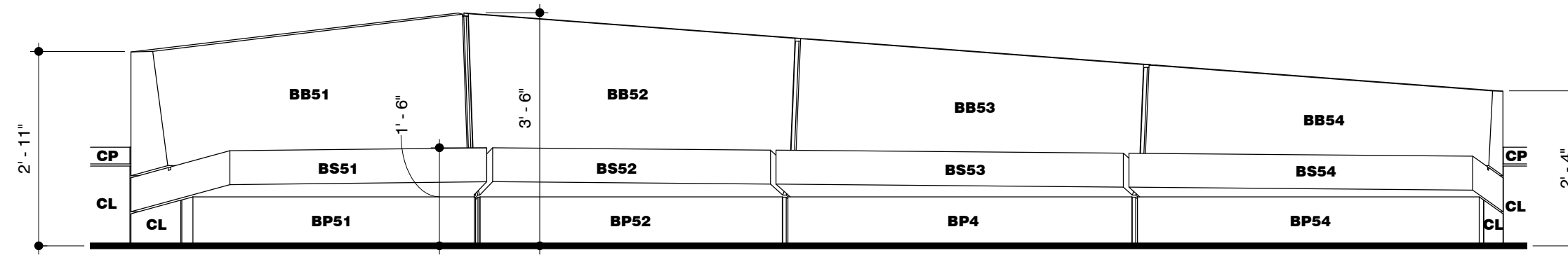
Note: All planter wall cladding and coping to be field cut to length and angle.



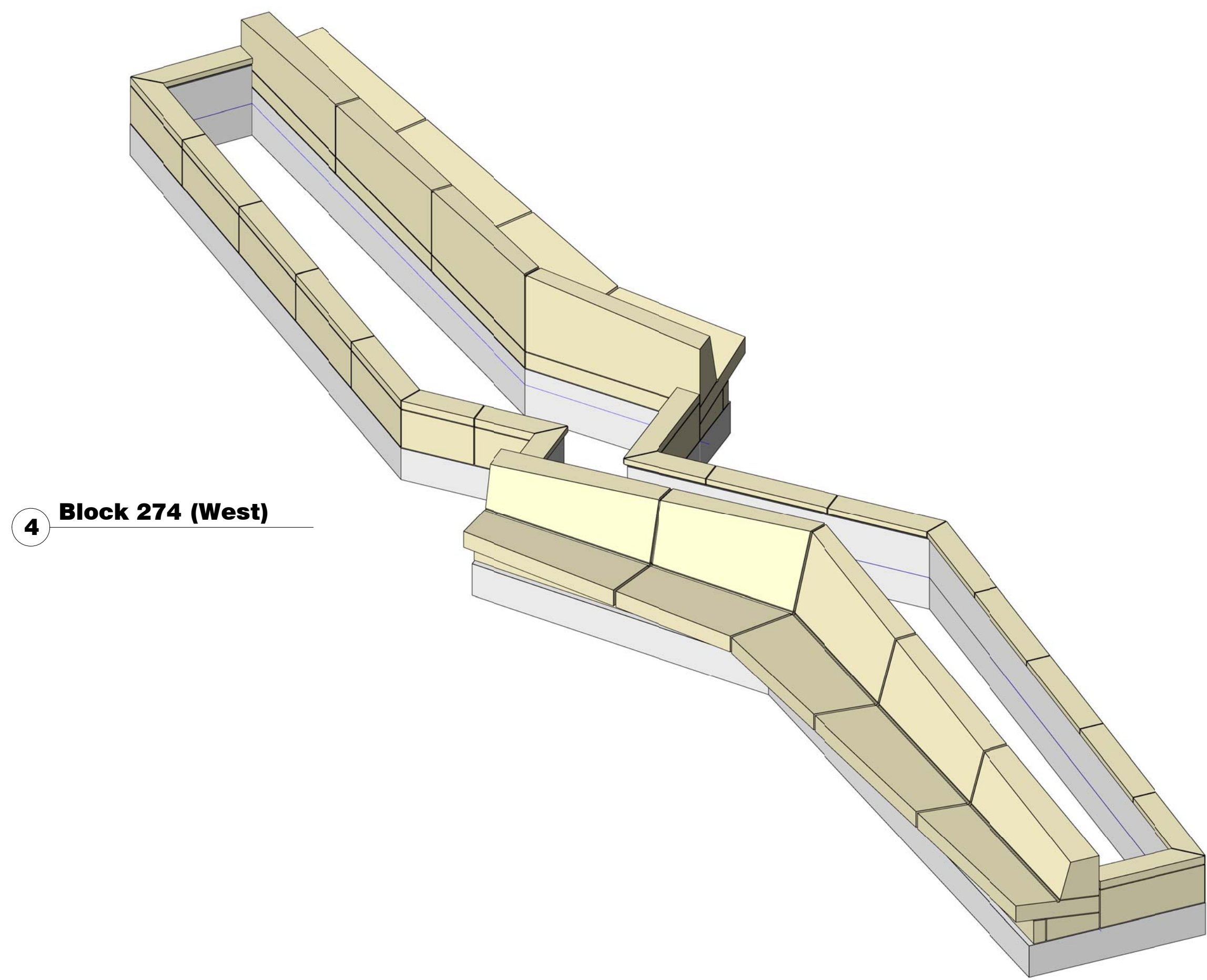
1 Block 274 (West) Plan
1/2" = 1'-0"



2 Block 274 (West) North Elevation
1/2" = 1'-0"



3 Block 274 (West) South Elevation
1/2" = 1'-0"



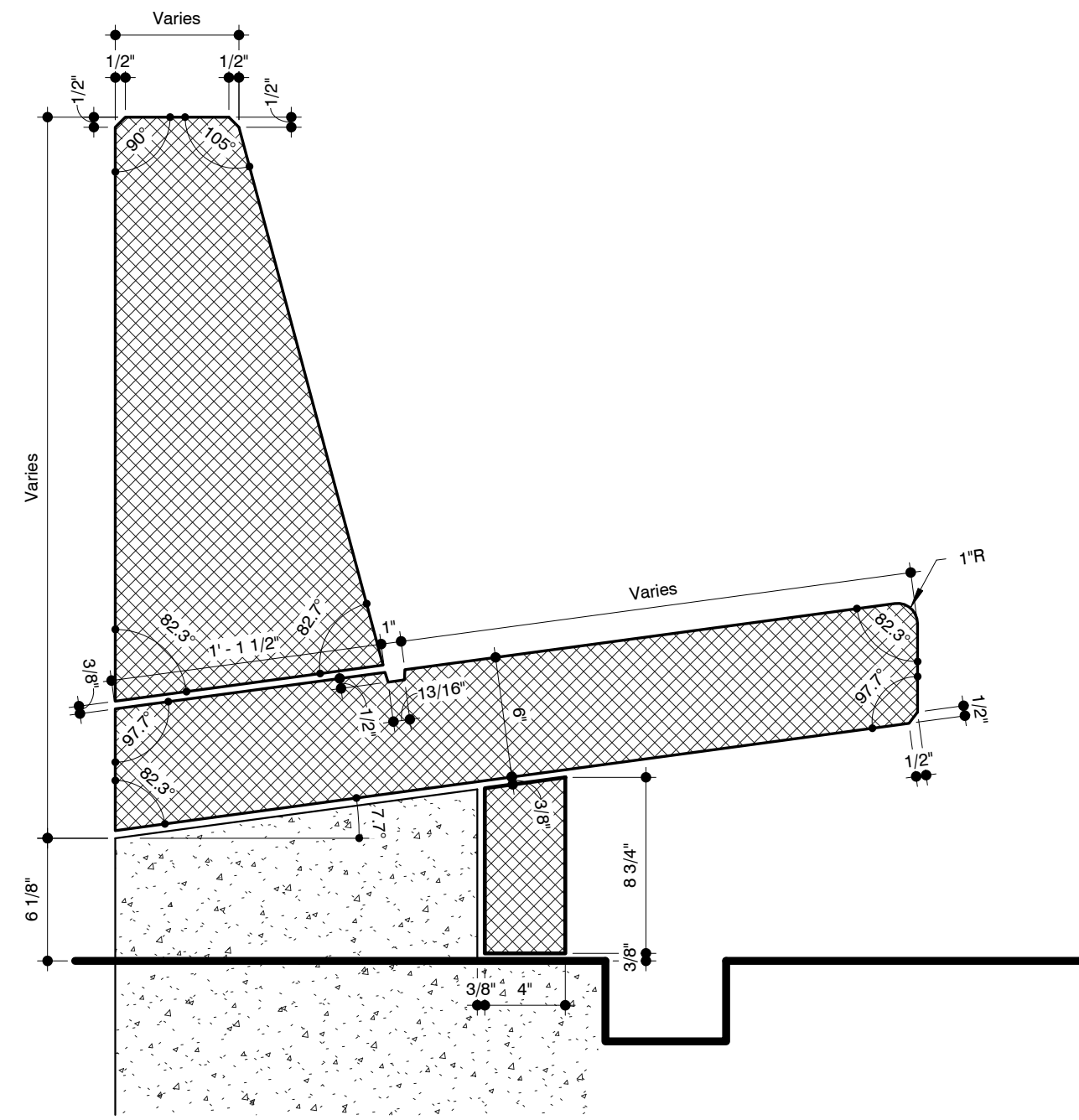
4 Block 274 (West)

REV.#	DESCRIPTION	DATE

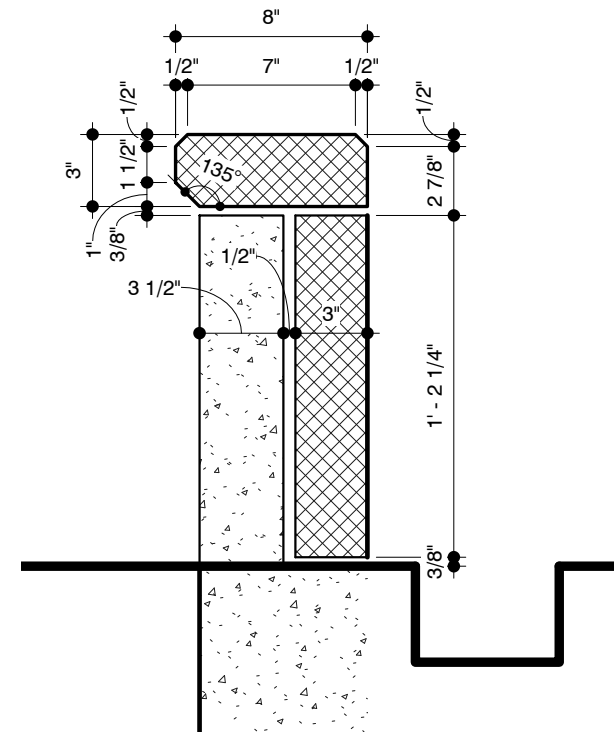
SCALE:	PROJ.#:	DRAWN BY: Author

CAST STONE	PROJECT NAME : Houston Pavilions
SHEET NUMBER	SHEET NAME : Block 274 (West)
CS6	
OF: 7	

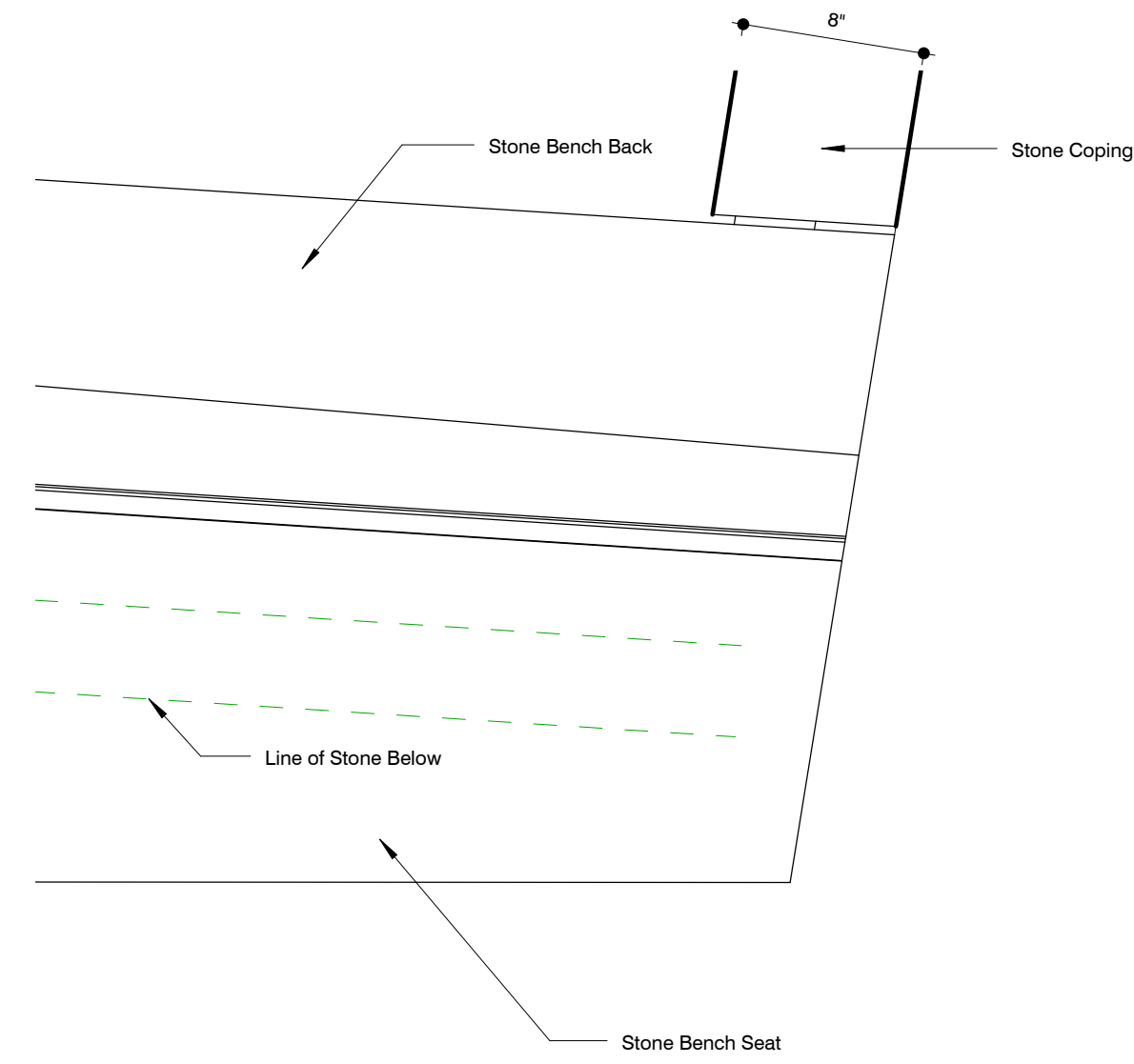
Note: All planter wall cladding and coping to be field cut to length and angle.



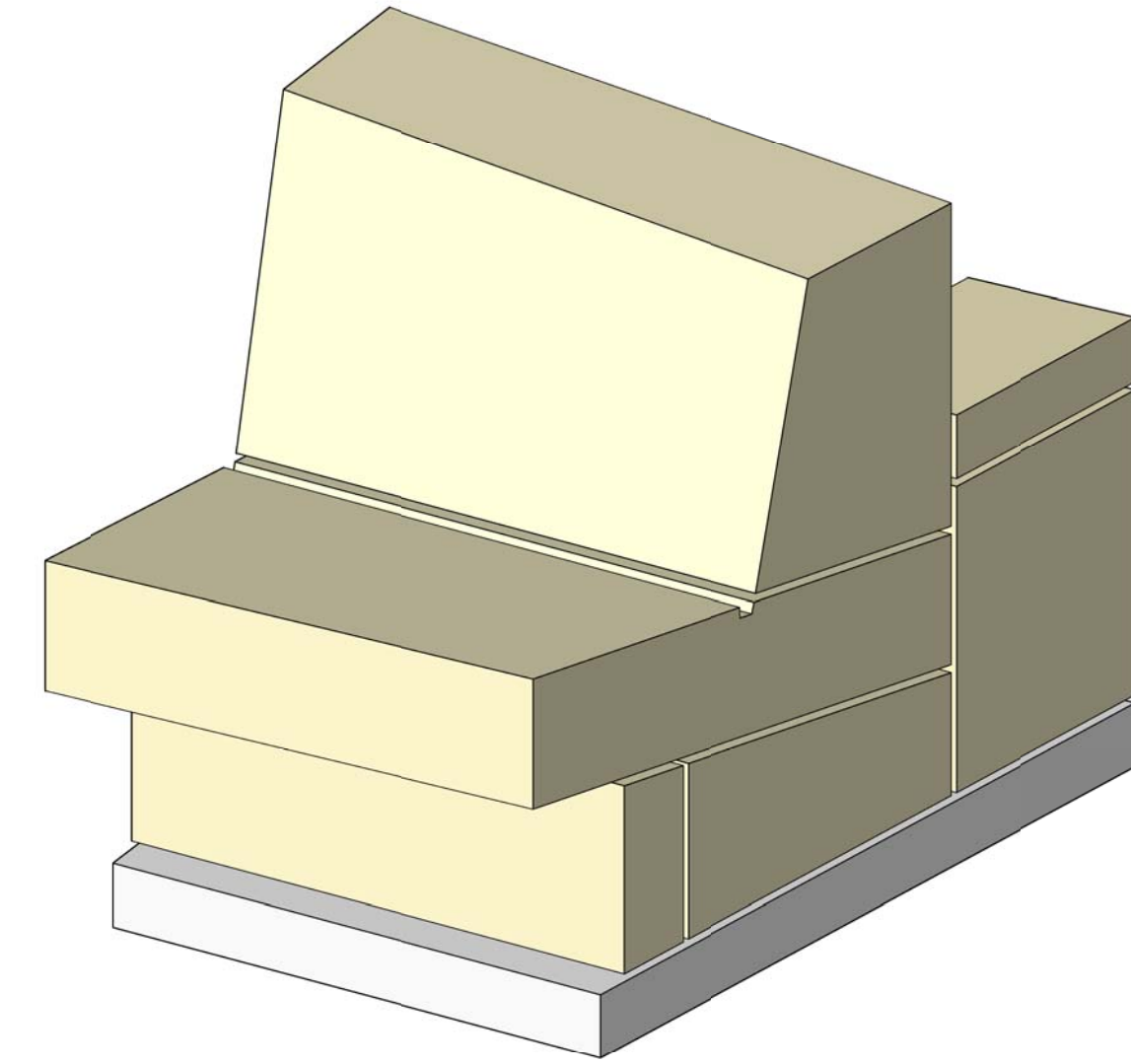
1 Typical Bench Profile
1 1/2" = 1'-0"



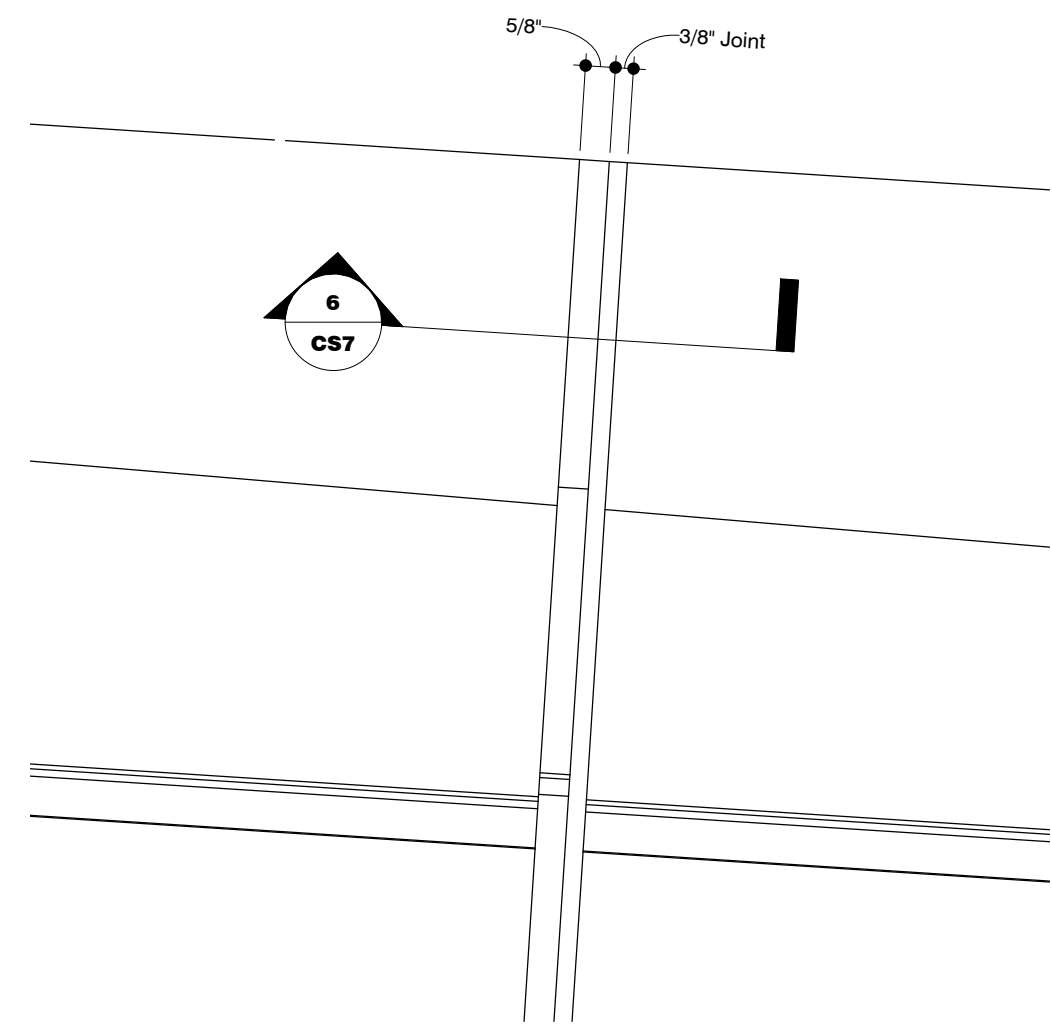
2 Typical Wall Profile
1 1/2" = 1'-0"



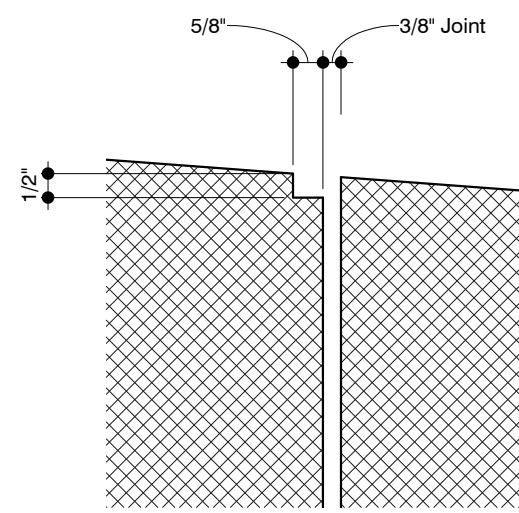
3 Typical Bench/Wall Connection
1 1/2" = 1'-0"



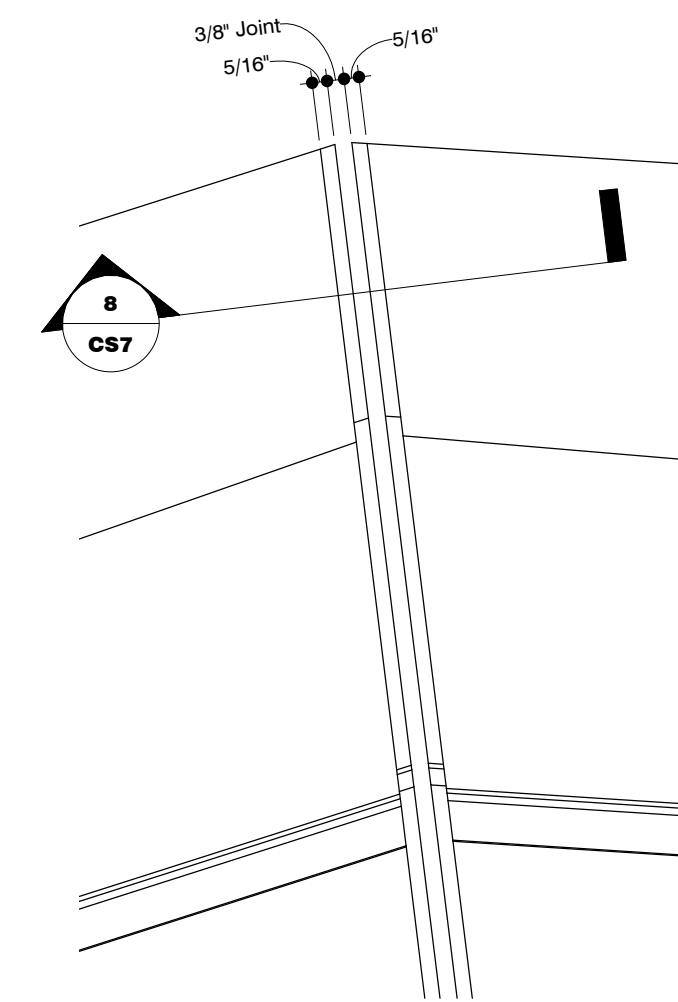
4 Bench/Wall Connection



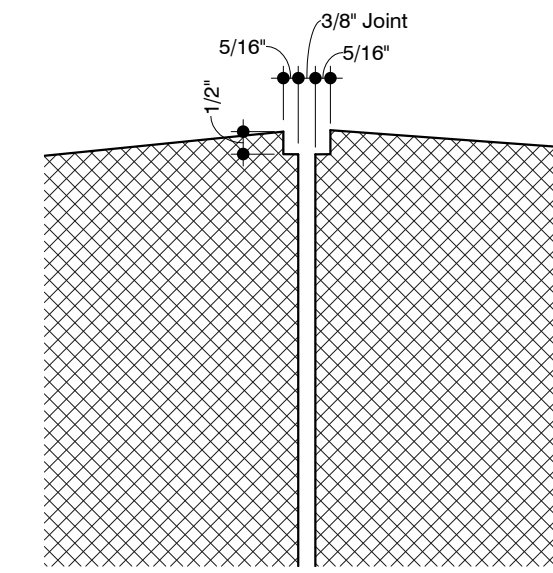
5 Reveal Joint
3" = 1'-0"



6 Section @ Reveal Joint
3" = 1'-0"



7 Reveal Joint
3" = 1'-0"



8 Section @ Reveal Joint
3" = 1'-0"

REV.#	DESCRIPTION	DATE

SCALE:	PROJ.#:	DRAWN BY: Author

CAST STONE	PROJECT NAME : Houston Pavilions
SHEET NUMBER	SHEET NAME : Details
CS7	
OF: 7	